



**HIKMICRO**

**Handheld Thermal Monocular Camera**

Quick Start Guide

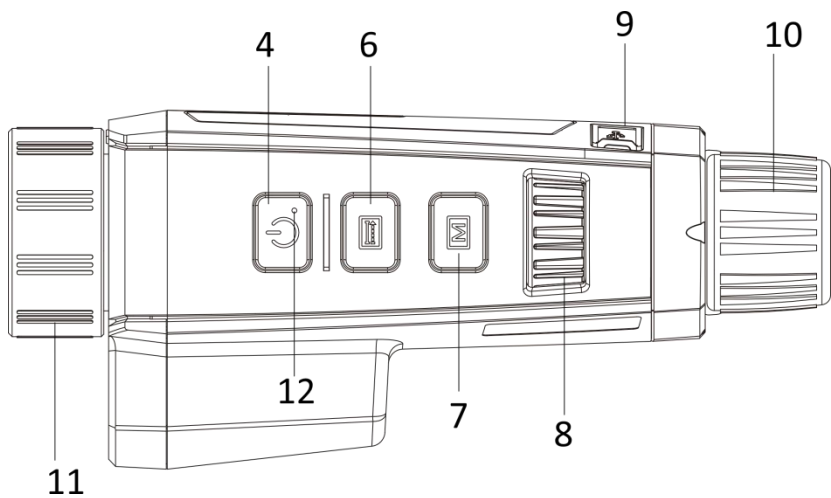
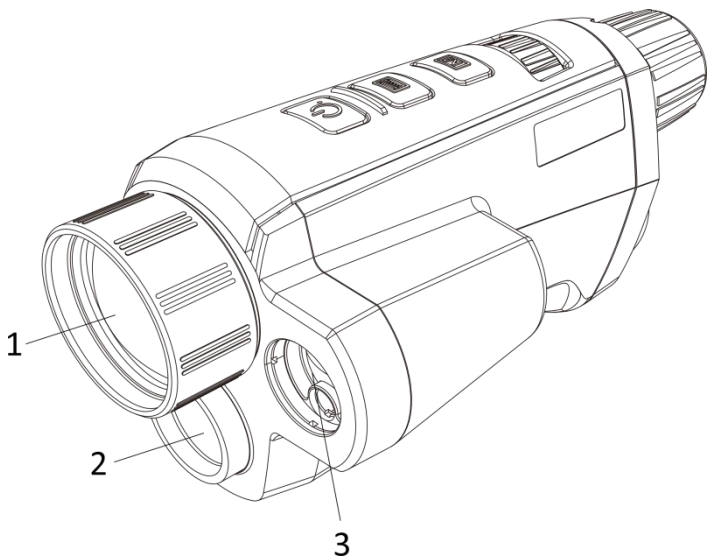


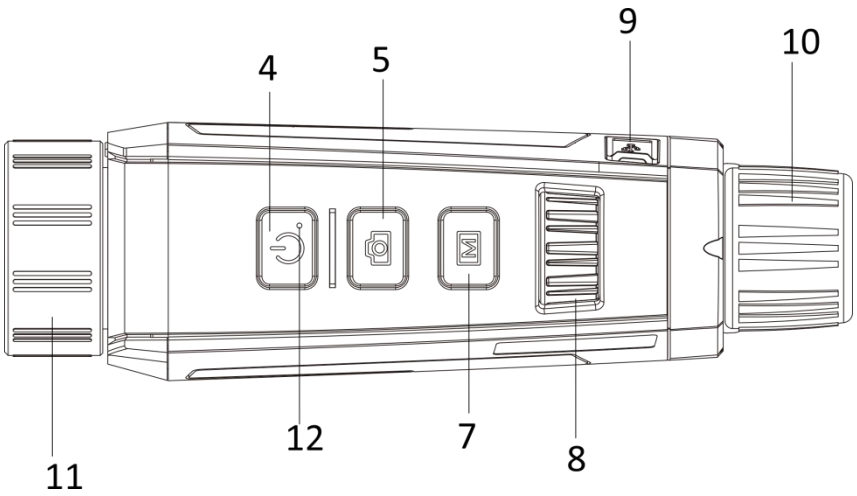
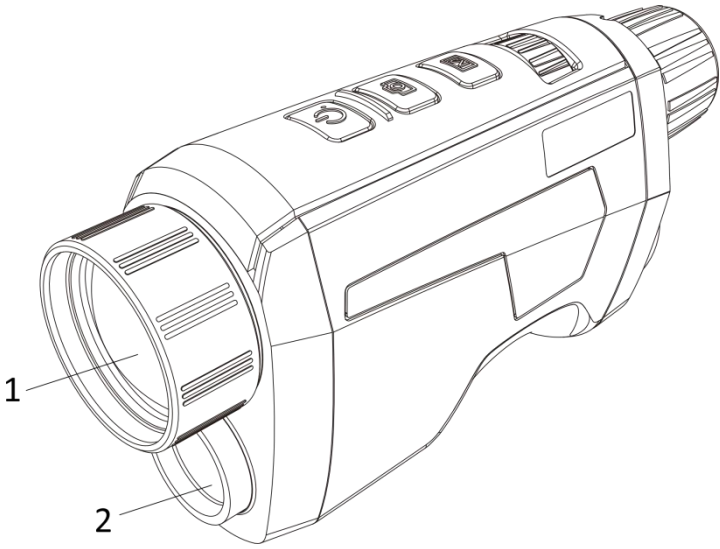
Contact Us

Handheld Thermal Monocular Camera	<b>English</b>	5
Tragbare, monokulare Wärmebildkamera	<b>Deutsch</b>	8
Caméra thermique monoculaire portable	<b>Français</b>	11
Cámara monocular térmica portátil	<b>Español</b>	14
Câmara Monocular Térmica de Mão	<b>Português</b>	17
Termocamera monocular portatile	<b>Italiano</b>	20
Ruční monokulární termokamera	<b>Čeština</b>	23
Ručná termografická monokulárna kamera	<b>Slovenčina</b>	25
Ręczna jednookularowa kamera termowizyjna	<b>Polski</b>	28
Monokuláris kézi hőkamera	<b>Magyar</b>	31
Cameră monoculară termică de mână	<b>Română</b>	34
Handheld thermische monoculaire camera	<b>Nederlands</b>	37
Håndholdt termografisk monokulært kamera	<b>Dansk</b>	40
Håndholdt termisk kikkertkamera	<b>Norsk</b>	43
Kannettava monokulaarinen lämpökamera	<b>Suomi</b>	45
Handhållen termisk monokulär kamera	<b>Svenska</b>	48
Портативная тепловизионная монокулярная камера	<b>Русский</b>	51
Portatif Termal Monoküler Kamera	<b>Türkçe</b>	54
ハンドヘルドサーマル単眼鏡カメラ	<b>日本語</b>	56
휴대용 열화상 단안 카메라	<b>한국인</b>	59
手持式單眼熱像儀	<b>繁體中文</b>	62

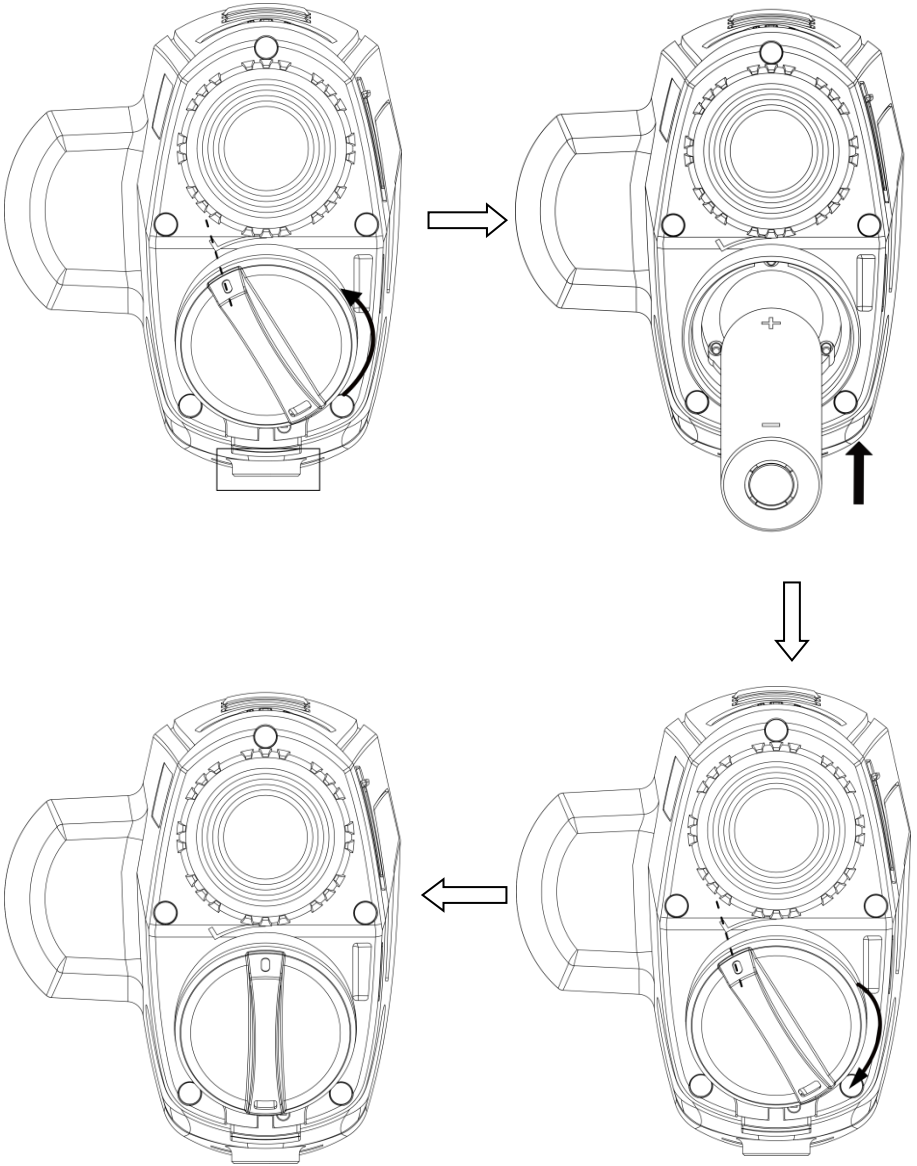
A

I





**B**





Product appearance is for reference only and may differ from the actual product.

### Brief Description

The handheld thermal monocular camera is a handheld device with functions of observation, Wi-Fi hotspot, hot tracking, bi-spectrum image fusion, laser distance measurement, and so on. The high-sensitivity built-in thermal detector provides you with clear view even in total darkness.

The device is mainly applied to outdoor activities such as hunting, searching and rescuing, hiking, and travel.

The device can capture snapshots, record videos, and set parameters by HIKMICRO Sight App after being connected to your phone via hotspot.

Search the HIKMICRO Sight on App Store (iOS System) or Google Play™ (Android System) to download it, or scan the QR code to download and install the App.



Android System



iOS System

The frequency bands and modes and the nominal limits of transmitted power (radiated and/or conducted) applicable to this radio device are the following:

Wi-Fi 2.4 GHz (2.4 GHz to 2.4835 GHz)	20 dBm
---------------------------------------	--------

### Appearance (Page 2 - A)

There are two types of handheld thermal monocular cameras. The appearance descriptions of the two types are shown below. Please take the actual product for reference.

### Buttons & Components

No.	Description	Function
1	Thermal Lens	View the thermal image.
2	Optical Lens	View the optical image.
3	Laser Range Finder	Measure the distance with laser.
4	Power Key	Press: standby mode/wake up the device Hold: power on/off
5	Capture Key	Press: capture Hold: trigger calibration
6	Measure Key	Press: measure the distance with laser Hold: capture
7	Menu Key	Press: palettes Hold: enter/exit the menu
8	Wheel	Adjust the digital zoom; select functions in

		menu mode.
9	Type-C Interface	Connect the device with the power adapter; connect the device with your PC to export files.
10	Eyepieces	View the target, and adjust the diopter.
11	Focus Ring	Adjust the sight view.
12	Indicator	Indicate the on/off mode of the device.

### Note:

Press the Measure Key/Capture Key and Menu Key at the same time to start or stop recording.

Press the Power key, Measure Key/Capture Key and Menu Key at the same time to enter the hidden menu.

### Install Battery (Page 4 - B)

#### Steps

1. Press and push the battery compartment lock (shown in the black frame), rotate the battery cover anticlockwise until the marks on the battery cover and the device are aligned, and then disassemble the battery cover.
2. Insert the battery into the battery compartment with the positive mark inward.
3. Align the marks on the battery cover and the device, and put the battery cover on the battery.
4. Rotate the battery cover clockwise to fix it.

### Note:

Take the batteries away if you do not use the device for a long time.

### User Manual



### Legal Information

©2022 Hangzhou Microimage Software Co., Ltd. All rights reserved.

### About this Manual

The Manual includes instructions for using and managing the Product. Pictures, charts, images and all other information hereinafter are for description and explanation only. The information contained in the Manual is subject to change, without notice, due to firmware updates or other reasons. Please find the latest version of this Manual at the HIKMICRO website ([www.hikmicrotech.com/](http://www.hikmicrotech.com/)).

Please use this Manual with the guidance and assistance of professionals trained in supporting the Product.

### Trademarks

 other HIKMICRO's trademarks and logos are the properties of HIKMICRO in various jurisdictions.

Other trademarks and logos mentioned are the properties of their respective owners.

### DISCLAIMER

TO THE MAXIMUM EXTENT PERMITTED BY

APPLICABLE LAW, THIS MANUAL AND THE PRODUCT DESCRIBED, WITH ITS HARDWARE, SOFTWARE AND FIRMWARE, ARE PROVIDED "AS IS" AND "WITH ALL FAULTS AND ERRORS". HIKMICRO MAKES NO WARRANTIES, EXPRESS OR IMPLIED, INCLUDING WITHOUT LIMITATION, MERCHANTABILITY, SATISFACTORY QUALITY, OR FITNESS FOR A PARTICULAR PURPOSE. THE USE OF THE PRODUCT BY YOU IS AT YOUR OWN RISK. IN NO EVENT WILL HIKMICRO BE LIABLE TO YOU FOR ANY SPECIAL, CONSEQUENTIAL, INCIDENTAL, OR INDIRECT DAMAGES, INCLUDING, AMONG OTHERS, DAMAGES FOR LOSS OF BUSINESS PROFITS, BUSINESS INTERRUPTION, OR LOSS OF DATA, CORRUPTION OF SYSTEMS, OR LOSS OF DOCUMENTATION, WHETHER BASED ON BREACH OF CONTRACT, TORT (INCLUDING NEGLIGENCE), PRODUCT LIABILITY, OR OTHERWISE, IN CONNECTION WITH THE USE OF THE PRODUCT, EVEN IF HIKMICRO HAS BEEN ADVISED OF THE POSSIBILITY OF SUCH DAMAGES OR LOSS.

YOU ACKNOWLEDGE THAT THE NATURE OF THE INTERNET PROVIDES FOR INHERENT SECURITY RISKS, AND HIKMICRO SHALL NOT TAKE ANY RESPONSIBILITIES FOR ABNORMAL OPERATION, PRIVACY LEAKAGE OR OTHER DAMAGES RESULTING FROM CYBER-ATTACK, HACKER ATTACK, VIRUS INFECTION, OR OTHER INTERNET SECURITY RISKS; HOWEVER, HIKMICRO WILL PROVIDE TIMELY TECHNICAL SUPPORT IF REQUIRED.

YOU AGREE TO USE THIS PRODUCT IN COMPLIANCE WITH ALL APPLICABLE LAWS, AND YOU ARE SOLELY RESPONSIBLE FOR ENSURING THAT YOUR USE CONFORMS TO THE APPLICABLE LAW. ESPECIALLY, YOU ARE RESPONSIBLE, FOR USING THIS PRODUCT IN A MANNER THAT DOES NOT INFRINGE ON THE RIGHTS OF THIRD PARTIES, INCLUDING WITHOUT LIMITATION, RIGHTS OF PUBLICITY, INTELLECTUAL PROPERTY RIGHTS, OR DATA PROTECTION AND OTHER PRIVACY RIGHTS. YOU SHALL NOT USE THIS PRODUCT FOR ILLEGAL HUNTING ANIMALS, INVASION OF PRIVACY OR ANY OTHER PURPOSE WHICH IS ILLEGAL OR DETRIMENTAL TO THE PUBLIC INTEREST. YOU SHALL NOT USE THIS PRODUCT FOR ANY PROHIBITED END-USES, INCLUDING THE DEVELOPMENT OR PRODUCTION OF WEAPONS OF MASS DESTRUCTION, THE DEVELOPMENT OR PRODUCTION OF CHEMICAL OR BIOLOGICAL WEAPONS, ANY ACTIVITIES IN THE CONTEXT RELATED TO ANY NUCLEAR EXPLOSIVE OR UNSAFE NUCLEAR FUEL-CYCLE, OR IN SUPPORT OF HUMAN RIGHTS ABUSES.

IN THE EVENT OF ANY CONFLICTS BETWEEN THIS MANUAL AND THE APPLICABLE LAW, THE LATTER PREVAILS.

**Regulatory Information**

**These clauses apply only to the products bearing the corresponding mark or information.**

**FCC Information**

Note: This product has been tested and found to comply with the limits for a Class B digital device, pursuant to Part 15 of the FCC Rules. These limits are designed to provide reasonable protection against harmful interference in a residential

installation. This product generates, uses, and can radiate radio frequency energy and, if not installed and used in accordance with the instructions, may cause harmful interference to radio communications. However, there is no guarantee that interference will not occur in a particular installation. If this product does cause harmful interference to radio or television reception, which can be determined by turning the equipment off and on, the user is encouraged to try to correct the interference by one or more of the following measures:

- Reorient or relocate the receiving antenna.
- Increase the separation between the equipment and receiver.
- Connect the equipment into an outlet on a circuit different from that to which the receiver is connected.
- Consult the dealer or an experienced radio/TV technician for help.


Please take attention that changes or modification not expressly approved by the party responsible for compliance could void the user's authority to operate the equipment.


This device complies with Part 15 of the FCC Rules. Operation is subject to the following two conditions:

- (1) This device may not cause harmful interference, and
- (2) This device must accept any interference received, including interference that may cause undesired operation.

**EU Conformity Statement**

**CE** This product and - if applicable - the supplied accessories too are marked with "CE" and comply therefore with the applicable harmonized European standards listed under the Directive 2014/53/EU(RED), Directive 2014/30/EU(EMCD), Directive 2014/35/EU(LVD), Directive 2011/65/EU(RoHS).

 Directive 2012/19/EU (WEEE Directive): Products marked with this symbol cannot be disposed of as unsorted municipal waste in the European Union. For proper recycling, return this product to your local supplier upon the purchase of equivalent new equipment, or dispose of it at designated collection points. For more information see: [www.recyclethis.info](http://www.recyclethis.info)

 Directive 2006/66/EC and its amendment 2013/56/EU (Battery Directive): This product contains a battery that cannot be disposed of as unsorted municipal waste in the European Union. See the product documentation for specific battery information. The battery is marked with this symbol, which may include lettering to indicate cadmium (Cd), lead (Pb), or mercury (Hg). For proper recycling, return the battery to your supplier or to a designated collection point. For more information see: [www.recyclethis.info](http://www.recyclethis.info).

**Industry Canada ICES-003 Compliance**

This device meets the CAN ICES-3 (B)/NMB-3(B) standards requirements.

This device complies with Industry Canada licence-exempt RSS standard(s). Operation is subject to the following two conditions:

- (1) this device may not cause interference, and
- (2) this device must accept any interference,

including interference that may cause undesired operation of the device.

Le présent appareil est conforme aux CNR d'Industrie Canada applicables aux appareils radioexempts de licence. L'exploitation est autorisée aux deux conditions suivantes :

- (1) l'appareil ne doit pas produire de brouillage, et
- (2) l'utilisateur de l'appareil doit accepter tout brouillage radioélectrique subi, même si le brouillage est susceptible d'en compromettre le fonctionnement.

KC

B 급 기기: 이 기기는 가정용(B 급) 전자파적합기기로서 주로 가정에서 사용하는 것을 목적으로 하며, 모든 지역에서 사용할 수 있습니다.

### Safety Instructions

These instructions are intended to ensure that user can use the product correctly to avoid danger or property loss.

### Laws and Regulations

The device should be used in compliance with local laws, electrical safety regulations, and fire prevention regulations.

### Transportation

- Keep the device in original or similar packaging while transporting it.
- Keep all wrappers after unpacking them for future use. In case of any failure occurred, you need to return the device to the factory with the original wrapper.
- Transportation without the original wrapper may result in damage on the device and the company shall not take any responsibilities.
- Do not drop the product or subject it to physical shock. Keep the device away from magnetic interface.

### Power Supply

- The input voltage for the device should meet the Limited Power Source (5 VDC, 2 A) according to the IEC61010-1 standard. Please refer to technical specifications for detailed information.
- The battery charger is included in the package. The input voltage for the supplied battery charger should meet the Limited Power Source (5 VDC, 2 A).
- Make sure the plug is properly connected to the power socket.
- DO NOT connect multiple devices to one power adapter, to avoid over-heating or fire hazards caused by overload.
- Use the power adapter provided by qualified manufacturer. Refer to the product specification for detailed power requirements. The using environment of the adapter should be consistent with that of the device.

### Battery

- Improper use or replacement of the battery may result in explosion hazard. Replace with the same or equivalent type only. The battery type is 18650 with the protection board, and the battery size should be within 19 mm x 70 mm. The rated voltage and capacity are 3.6 VDC/3.35 Ah (12.06 Wh). Dispose of used batteries in conformance with the instructions provided by the battery manufacturer.
- Do not charge other battery types with the supplied charger. Confirm there is no flammable material within 2 m of the charger during charging.
- For long-term storage of the battery, make sure it is fully charged every half year to ensure the battery quality. Otherwise, damage may occur.
- DO NOT place the battery near heating or fire source. Avoid direct sunlight.

- DO NOT swallow the battery to avoid chemical burns.
- The battery can not be charged with external power source directly.
- The device can not be charged, please use the supplied charger to charge the battery.
- This equipment is not suitable for use in locations where children are likely to be present.
- CAUTION: Risk of explosion if the battery is replaced by an incorrect type.
- Improper replacement of the battery with an incorrect type may defeat a safeguard (for example, in the case of some lithium battery types).
- Do not dispose of the battery into fire or a hot oven, or mechanically crush or cut the battery, which may result in an explosion.
- Do not leave the battery in an extremely high temperature surrounding environment, which may result in an explosion or the leakage of flammable liquid or gas.
- Do not subject the battery to extremely low air pressure, which may result in an explosion or the leakage of flammable liquid or gas.
- Dispose of used batteries according to the instructions.

### Maintenance

- If the product does not work properly, please contact your dealer or the nearest service center. We shall not assume any responsibility for problems caused by unauthorized repair or maintenance.
  - Wipe the device gently with a clean cloth and a small quantity of ethanol, if necessary.
  - If the equipment is used in a manner not specified by the manufacturer, the protection provided by the device may be impaired.
  - Clean the lens with soft and dry cloth or wiping paper to avoid scratching it.
- ### Using Environment
- Make sure the running environment meets the requirement of the device. The operating temperature shall be -30 °C to 55 °C (-22 °F to 131 °F), and the operating humidity shall be 95% or less, no condensing.
  - DO NOT expose the device to extremely hot, cold, dusty, corrosive, saline-alkali, or damp environments.
  - Avoid equipment installation on vibratory surface or places subject to shock (neglect may cause equipment damage).
  - Do not aim the lens at the sun or any other bright light.
  - Emergency
  - If smoke, odor, or noise arises from the device, immediately turn off the power, unplug the power cable, and contact the service center.

### Laser



When any laser equipment is in use, make sure that the device lens is not exposed to the laser beam, or it may burn out. The laser radiation emitted from the device can cause eye injuries, burning of skin or inflammable substances. Before enabling the light supplement function, make sure no human or inflammable substances are in front of the laser lens. Do not place the device where minors can fetch it.

### Manufacture Address

Room 313, Unit B, Building 2, 399 Danfeng Road, Xixing Subdistrict, Binjiang District, Hangzhou, Zhejiang 310052, China  
Hangzhou Microimage Software Co., Ltd.

COMPLIANCE NOTICE: The thermal series products might be subject to export controls in various countries or regions, including without



limitation, the United States, European Union, United Kingdom and/or other member countries of the Wassenaar Arrangement. Please consult your professional legal or compliance expert or

local government authorities for any necessary export license requirements if you intend to transfer, export, re-export the thermal series products between different countries.



Das Erscheinungsbild des Produkts dient nur als Referenz und kann vom tatsächlichen Produkt abweichen.

**Kurze Beschreibung**

Die tragbare, monokulare Wärmebildkamera ist ein mobiles Gerät mit den Funktionen: Beobachtung, WLAN-Hotspot, Verfolgung von heißen Stellen, Bi-Spektrum-Bildfusion, Laser-Entfernungsmessung usw. Der hochempfindliche integrierte Wärmebildsensor liefert auch bei völliger Dunkelheit eine deutliche Sicht.

Das Gerät wird hauptsächlich für Aktivitäten im Freien, wie Jagd, Suchen und Rettungseinsätze, Wandern und Reisen eingesetzt.

Das Gerät kann Fotos aufnehmen, Videos aufzeichnen und Einstellungen über die HIKMICRO Sight App vornehmen, nachdem es über einen Hotspot Ihrem Smartphone verbunden wurde.

Suchen Sie HIKMICRO Sight im App Store (iOS-System) oder bei Google Play™ (Android-System) oder scannen Sie den QR-Code, um die App herunterzuladen und zu installieren.



Android



iOS

Die für dieses Funkgerät geltenden Frequenzbänder und Modi und Nenngrenzwerte der Sendeleistung (abgestrahlt und/oder leitungsgeführt) sind folgende:

WLAN 2,4 GHz (2,4 bis 2,4835 GHz)	20 dBm
--------------------------------------	--------

**Erscheinungsbild (Seite 2 - A)**

Es gibt zwei Arten von tragbaren, monokularen Wärmebildkameras. Die Beschreibungen des Aussehens der beiden Typen sind unten aufgeführt. Bitte nehmen Sie das tatsächliche Produkt als Referenz.

**Tasten und Komponenten**

Nr.	Beschreibung	Funktion
1	Wärmebildobjektiv	Wärmebild anzeigen.
2	Optisches Objektiv	Optisches Bild anzeigen.
3	Laser-Entfernungsmesser	Misst die Entfernung mit dem Laser.
4	Ein/Aus	Drücken: Standby-Modus/Gerät aufwecken Gedrückt halten: Ein- und ausschalten
5	Aufnahme	Drücken: Fotos

Nr.	Beschreibung	Funktion
		aufnehmen Gedrückt halten: Auslöser kalibrieren
6	Mess-Taste	Drücken: Misst die Entfernung mit dem Laser Gedrückt halten: Aufnahme
7	Menü-Taste	Drücken: Farbenpaletten Gedrückt halten: Menü aufrufen/verlassen
8	Rad	Digitalzoom einstellen; Funktionen im Menümodus wählen.
9	Type-C-Schnittstelle	Geräteanschluss für Netzteil; Geräteanschluss zum Exportieren von Dateien an Ihren PC.
10	Okulare	Ziel betrachten und die Dioptrien einstellen.
11	Fokusring	Hier stellen Sie die Schärfe ein.
12	Statusanzeige	Anzeige, ob das Gerät ein- oder ausgeschaltet ist.

**Hinweis:**

Drücken Sie Mess-/Erfassungs- und Menüaste gleichzeitig, um die Aufnahme zu starten oder zu beenden.

Drücken Sie Ein/Aus-, Mess-/Erfassungs- und Menüaste gleichzeitig, um das ausgeblendete Menü aufzurufen.

**Akku einsetzen (Seite 4 - B)**

**Schritte**

1. Drücken und schieben Sie die Verriegelung des Akkufachs (im schwarzen Rahmen dargestellt), drehen Sie den Akkufachdeckel gegen den Uhrzeigersinn, bis die Markierungen auf Deckel und Gerät ausgerichtet sind, dann nehmen Sie den Deckel ab.
2. Setzen Sie den Akku in das Akkufach mit dem Pluspol nach innen zeigend ein.
3. Richten Sie die Markierungen auf Akkufachdeckel und Gerät aus und setzen Sie den Akkufachdeckel auf den Akku.
4. Drehen Sie den Akkufachdeckel im Uhrzeigersinn, um ihn fest zu verschließen.

**Hinweis:**

Wenn das Gerät längere Zeit nicht benutzt wird, entfernen Sie die Akkus.

**Bedienungsanleitung**



## Rechtliche Informationen

©2022 Hangzhou Microimage Software Co., Ltd.  
Alle Rechte vorbehalten.

### Hinweise zu dieser Bedienungsanleitung

Die Bedienungsanleitung enthält Anleitungen zur Verwendung und Verwaltung des Produkts. Bilder, Diagramme, Abbildungen und alle sonstigen Informationen dienen nur der Beschreibung und Erklärung. Die Änderung der in der Bedienungsanleitung enthaltenen Informationen ist aufgrund von Firmware-Aktualisierungen oder aus anderen Gründen vorbehalten. Die neueste Version dieses Handbuchs finden Sie auf der HIKMICRO-Website ([www.hikmicrotech.com/](http://www.hikmicrotech.com/)). Bitte verwenden Sie diese Bedienungsanleitung unter Anleitung und Unterstützung von Fachleuten, die für den Support des Produkts geschult sind.

### Markenzeichen

 und andere Marken und Logos von HIKMICRO sind Eigentum von HIKMICRO in verschiedenen Gerichtsbarkeiten.

Andere hier erwähnte Marken und Logos sind Eigentum ihrer jeweiligen Inhaber.

### HAFTUNGSAUSSCHLUSS

DIESE BEDIENTUNGSANLEITUNG UND DAS BESCHRIEBENE PRODUKT MIT SEINER HARDWARE, SOFTWARE UND FIRMWARE WERDEN, SOWEIT GESETZLICH ZULÄSSIG, IN DER „VORLIEGENDEN FORM“ UND MIT „ALLEN FEHLERN UND IRRTÜMERN“ BEREITGESTELLT. HIKMICRO GIBT KEINE GARANTIE, WEDER AUSDRÜCKLICH NOCH STILLSCHWEIGEND, EINSCHLIEßLICH, ABER NICHT DARAUF BESCHRÄNKT, MARKTGÄNGIGKEIT, ZUFRIEDENSTELLENDEN QUALITÄT ODER EIGNUNG FÜR EINEN BESTIMMTEN ZWECK. DIE NUTZUNG DES PRODUKTS DURCH SIE ERFOLGT AUF IHRE EIGENE GEFAHR. IN KEINEM FALL IST HIKMICRO IHNEN GEGENÜBER HAFTBAR FÜR BESONDERE, ZUFÄLLIGE, DIREKTE ODER INDIREKTE SCHÄDEN, EINSCHLIEßLICH, JEDOCH NICHT DARAUF BESCHRÄNKT, VERLUST VON GESCHÄFTSGEWINNEN, GESCHÄFTSUNTERBRECHUNG, DATENVERLUST, SYSTEMBESCHÄDIGUNG, VERLUST VON DOKUMENTATIONEN, SEI ES AUFGRUND VON VERTRAGSBRUCH, UNERLAUBTER HANDLUNG (EINSCHLIEßLICH FAHRLÄSSIGKEIT), PRODUKTHAFTUNG ODER ANDERWEITIG, IN VERBINDUNG MIT DER VERWENDUNG DIESES PRODUKTS, SELBST WENN HIKMICRO ÜBER DIE MÖGLICHKEIT DERARTIGER SCHÄDEN ODER VERLUSTE INFORMIERT WAR.

SIE ERKENNEN AN, DASS DIE NATUR DES INTERNETS DAMIT VERBUNDENE SICHERHEITSRISIKEN BEINHÄLTET. HIKMICRO ÜBERNIMMT KEINE VERANTWORTUNG FÜR ANORMALEN BETRIEB, DATENVERLUST ODER ANDERE SCHÄDEN, DIE SICH AUS CYBERANGRIFFEN, HACKERANGRIFFEN,

VIRUSINFESTION ODER ANDEREN SICHERHEITSRISIKEN IM INTERNET ERGEBEN. HIKMICRO WIRD JEDOCH BEI BEDARF ZEITNAH TECHNISCHEM SUPPORT LEISTEN.

SIE STIMMEN ZU, DIESES PRODUKT IN ÜBEREINSTIMMUNG MIT ALLEN GELTENDEN GESETZEN ZU VERWENDEN, UND SIE SIND ALLEIN DAFÜR VERANTWORTLICH, DASS IHRE VERWENDUNG GEGEN KEINE GELTENDEN GESETZE VERSTÖßT. INSBESONDERE SIND SIE DAFÜR VERANTWORTLICH, DIESES PRODUKT SO ZU VERWENDEN, DASS DIE RECHTE DRITTER NICHT VERLETZT WERDEN, EINSCHLIEßLICH, ABER NICHT BESCHRÄNKT AUF VERÖFFENTLICHUNGSRECHTE, DIE RECHTE AN GEISTIGEM EIGENTUM ODER DEN DATENSCHUTZ UND ANDERE PERSÖNLICHKEITSRECHTE. DIESES PRODUKT DARF NICHT FÜR DIE ILLEGALE JAGD AUF TIERE, DIE VERLETZUNG DER PRIVATSPHÄRE ODER FÜR EINEN ANDEREN ZWECK VERWENDET WERDEN, DER ILLEGAL ODER DEM ÖFFENTLICHEN INTERESSE ABTRÄGLICH IST. SIE DÜRFEN DIESES PRODUKT NICHT FÜR VERBOTENE ENDANWENDUNGEN VERWENDEN, EINSCHLIEßLICH DER ENTWICKLUNG ODER HERSTELLUNG VON MASSENVERNICHTUNGSWAFFEN, DER ENTWICKLUNG ODER HERSTELLUNG CHEMISCHER ODER BIOLOGISCHER WAFFEN, JEGLICHER AKTIVITÄTEN IM ZUSAMMENHANG MIT EINEM NUKLEAREN SPRENGKÖRPER ODER UNSICHEREN NUKLEAREN BRENNSTOFFKREISLAUF BZW. ZUR UNTERSTÜTZUNG VON MENSCHENRECHTSVERLETZUNGEN. IM FALL VON WIDERSPRÜCHEN ZWISCHEN DIESER BEDIENTUNGSANLEITUNG UND GELTENDEM RECHT IST LETZTERES MASSGEBLICH.

### Behördliche Informationen

---

**Diese Bestimmungen gelten nur für Produkte, die das entsprechende Zeichen oder die entsprechenden Informationen tragen.**

---

### EU-Konformitätserklärung



Dieses Produkt und – falls zutreffend – auch das mitgelieferte Zubehör sind mit dem „CE“-Zeichen gekennzeichnet und entsprechen somit den gültigen harmonisierten Europäischen Normen, die in den Richtlinien 2014/53/EU (RED), 2014/30/EU (EMCD), 2014/35/EU (LVD) und 2011/65/EU (RoHS) aufgeführt sind.



Richtlinie 2012/19/EU (WEEE-Richtlinie): Produkte, die mit diesem Symbol gekennzeichnet sind, dürfen innerhalb der Europäischen Union nicht mit dem Hausmüll entsorgt werden. Für korrektes Recycling geben Sie dieses Produkt an Ihren örtlichen Fachhändler zurück oder entsorgen Sie es an einer der Sammelstellen. Für weitere Informationen siehe: [www.recyclethis.info](http://www.recyclethis.info)



Richtlinie 2006/66/EC und ihre Änderung 2013/56/EU (Batterierichtlinie): Dieses Produkt enthält eine Batterie, die innerhalb der Europäischen Union nicht mit dem Hausmüll entsorgt werden darf. Siehe Produktdokumentation für spezifische Hinweise zu Batterien. Die Batterie ist mit diesem

Symbol gekennzeichnet, das zusätzlich die Buchstaben Cd für Cadmium, Pb für Blei oder Hg für Quecksilber enthalten kann. Für korrektes Recycling geben Sie die Batterie an Ihren örtlichen Fachhändler zurück oder entsorgen Sie sie an einer der Sammelstellen. Weitere Informationen finden Sie unter: [www.recyclethis.info](http://www.recyclethis.info).

### Sicherheitshinweise

Diese Anleitungen sollen gewährleisten, dass Sie das Produkt korrekt verwenden, um Gefahren oder Sachschäden zu vermeiden.

### Gesetze und Vorschriften

Das Gerät muss in Übereinstimmung mit lokalen Gesetzen, Vorschriften zur elektrischen Sicherheit und Brandschutzvorschriften verwendet werden.

### Transportwesen

- Bewahren Sie das Gerät beim Transport in der ursprünglichen oder einer vergleichbaren Verpackung auf.
- Bewahren Sie das gesamte Verpackungsmaterial nach dem Auspacken für zukünftigen Gebrauch auf. Im Falle eines Fehlers müssen Sie das Gerät in der Originalverpackung an das Werk zurücksenden.
- Beim Transport ohne Originalverpackung kann das Gerät beschädigt werden und wir übernehmen keine Verantwortung.
- Lassen Sie das Produkt nicht fallen und vermeiden Sie heftige Stöße. Halten Sie das Gerät von magnetischen Störungen fern.

### Spannungsversorgung

- Die Eingangsspannung für das Gerät muss den Anforderungen der begrenzten Stromquelle (5 V DC, 2 A) gemäß der Norm IEC61010-1 entsprechen. Siehe technische Daten für detaillierte Informationen.
- Das Akkuladegerät ist im Lieferumfang enthalten. Die Eingangsspannung für das mitgelieferte Akkuladegerät muss einer Stromquelle mit begrenzter Leistung (5 V DC, 2 A) entsprechen.
- Stellen Sie sicher, dass der Stecker richtig in der Steckdose steckt.
- Verbinden Sie NICHT mehrere Geräte mit einem Netzteil, da es andernfalls durch Überlastung zu einer Überhitzung oder einem Brand kommen kann.
- Verwenden Sie das von einem qualifizierten Hersteller mitgelieferte Netzteil. Detaillierte Angaben zu den Batterie-/Akku-Anforderungen finden Sie in der Produktspezifikation. Die Betriebsumgebung des Netzteils muss mit der des Geräts übereinstimmen.

### Batterie

- Wenn der Akku unsachgemäß verwendet oder ausgetauscht wird, besteht möglicherweise Explosionsgefahr. Tauschen Sie stets gegen den gleichen oder äquivalenten Typ aus. Der Akkutyp ist 18650 mit der Schutzplatte, und die Batteriegröße sollte innerhalb von 19 mm x 70 mm liegen. Die Nennspannung und -kapazität beträgt 3,6 VDC/3,35 Ah (12,06 Wh). Entsorgen Sie verbrauchte Akkus entsprechend den Anweisungen des Akkuherstellers.
- Laden Sie keine anderen Akkutypen mit dem mitgelieferten Ladegerät auf. Stellen Sie sicher, dass sich während des Ladevorgangs im Umkreis von 2 m um das Ladegerät kein brennbares Material befindet.
- Achten Sie bei langfristiger Lagerung des Akkus darauf, dass er alle sechs Monate vollständig geladen wird, um seine Lebensdauer zu gewährleisten. Andernfalls kann es zu Schäden kommen.
- Lagern Sie den Akku NICHT in unmittelbarer Nähe einer Wärme- oder Feuerquelle. Keinem direkten Sonnenlicht aussetzen.

- Den Akku NICHT verschlucken, es besteht Verätzungsgefahr.
- Der Akku darf nicht direkt mit einer externen Stromquelle aufgeladen werden.
- Das Gerät kann nicht aufgeladen werden, bitte verwenden Sie das mitgelieferte Ladegerät, um den Akku aufzuladen.
- Das Gerät ist nicht für den Einsatz an Orten geeignet, an denen sich wahrscheinlich Kinder aufhalten.
- ACHTUNG: Bei Austausch der Batterie durch einen falschen Typ besteht Explosionsgefahr.
- Unsachgemäßer Austausch der Batterien durch einen falschen Typ kann eine Schutzvorrichtung umgehen (z. B. bei einigen Lithium-Batterietypen).
- Batterien nicht durch Verbrennen, in einem heißen Ofen oder Zerkleinern oder Zerschneiden entsorgen. Das kann zu einer Explosion führen.
- Bewahren Sie Batterien nicht in einer Umgebung mit extrem hoher Temperatur auf. Das kann zu einer Explosion oder zum Auslaufen von entflammbarer Flüssigkeit oder Gas führen.
- Setzen Sie Batterien keinem extrem niedrigen Luftdruck aus. Das kann zu einer Explosion oder zum Auslaufen von entflammbarer Flüssigkeit oder Gas führen.
- Entsorgen Sie verbrauchte Batterien entsprechend der Anleitung.

### Wartung

- Falls das Produkt nicht einwandfrei funktionieren sollte, wenden Sie sich an Ihren Händler oder den nächstgelegenen Kundendienst. Wir übernehmen keine Haftung für Probleme, die durch nicht Reparatur- oder Instandhaltungsarbeiten von nicht autorisierten Dritten verursacht werden.
- Wischen Sie das Gerät bei Bedarf sanft mit einem sauberen Tuch und einer geringen Menge Ethanol ab.
- Wenn das Gerät nicht vom Hersteller vorgegebenem Sinne genutzt wird, kann der durch das Gerät bereitgestellte Schutz beeinträchtigt werden.
- Reinigen Sie das Objektiv mit einem weichen und trockenen Tuch oder Wischpapier, um Kratzer zu vermeiden.

### Einsatzumgebung

- Achten Sie darauf, dass die Betriebsumgebung den Anforderungen des Geräts entspricht. Die Betriebstemperatur muss -30 °C bis +55 °C betragen und die Luftfeuchtigkeit darf höchstens 95 % betragen, keine Kondensation.
- Setzen Sie das Gerät NICHT extrem heißen, kalten, staubigen, korrosiven, salzhaltigen, alkalischen oder feuchten Umgebungen aus.
- Vermeiden Sie die Installation des Geräts auf vibrierenden Oberflächen oder an Orten, die Erschütterungen ausgesetzt sind (Nachlässigkeit kann zu Geräteschäden führen).
- Richten Sie das Objektiv nicht auf die Sonne oder eine andere helle Lichtquelle.
- **Notruf**
- Sollten sich Rauch, Gerüche oder Geräusche in dem Gerät entwickeln, so schalten Sie es unverzüglich aus und ziehen Sie den Netzstecker; wenden Sie sich dann an den Kundendienst.

### Laser



Achten Sie bei Verwendung eines Lasergeräts darauf, dass das Objektiv des Geräts nicht dem Laserstrahl ausgesetzt wird. Andernfalls könnte es durchbrennen. Die vom Gerät

abgegebene Laserstrahlung kann zu Augenverletzungen, Hautverbrennungen oder der Entzündung brennbarer Substanzen führen. Bevor Sie die Funktion Zusatzlicht aktivieren,

vergewissern Sie sich, dass sich weder Personen noch brennbare Substanzen vor der Laserlinse befinden. Stellen Sie das Gerät nicht so auf, dass es von Kindern erreicht werden kann.

### Anschrift des Herstellers

Raum 313, Einheit B, Gebäude 2, 399 Danfeng-Straße, Gemarkung Xixing, Stadtbezirk Binjiang, Hangzhou, Zhejiang 310052, China  
Hangzhou Microimage Software Co., Ltd.  
RECHTLICHER HINWEIS: Die Produkte der Wärmebild-Serie unterliegen unter Umständen in

verschiedenen Ländern oder Regionen Exportkontrollen, wie zum Beispiel in den Vereinigten Staaten, der Europäischen Union, dem Vereinigten Königreich und/oder anderen Mitgliedsländern des Wassenaar-Abkommens. Bitte wenden Sie sich an Ihren professionellen Rechts- oder Compliance-Experten oder an die zuständigen Behörden, wenn Sie beabsichtigen, Produkte der Wärmebild-Serie zwischen verschiedenen Ländern zu transferieren, zu exportieren oder zu reexportieren, um Informationen über eine eventuell erforderliche Ausfuhrgenehmigung zu erhalten.

## Français



L'image du produit est donnée uniquement à titre de référence et le produit réel peut présenter un aspect différent.

### Breve description

La caméra thermique monoculaire portable est un appareil portable équipé de fonctions d'observation, de point d'accès Wi-Fi, de suivi de la chaleur, de fusion bispectre des images, de mesure de distance par laser, etc. Son détecteur thermique à haute sensibilité intégré vous offre une vision claire, même dans l'obscurité la plus totale.

L'appareil trouve une application principalement dans les activités en plein air tels que la chasse, la recherche et le sauvetage, les randonnées, le tourisme, etc.

Il est capable de prendre des instantanés et d'enregistrer des vidéos et ses paramètres peuvent être réglés par le biais de l'application HIKMICRO Sight une fois qu'il a été connecté à votre téléphone en utilisant le point d'accès.

Recherchez l'application HIKMICRO Sight dans l'App Store (système iOS) ou sur Google Play™ (système Android) ou scannez le code QR pour la télécharger et l'installer.



Système Android



Système iOS

Les bandes et modes de fréquence et les limites nominales de la puissance transmise (rayonnée ou par conduction) applicables à ce dispositif radio sont les suivantes :

Wi-Fi 2,4 GHz (2,4 à 2,4835 GHz)	20 dBm
-------------------------------------	--------

### Apparence (Page 2 - A)

Deux types de caméras thermiques monoculaires portables sont disponibles. Les descriptions de l'apparence des deux types figurent ci-dessous. Veuillez vous référer au produit réel.

### Boutons et composants

N°	Description	Fonction
1	Objectif thermique	Observer l'image thermique.
2	Objectif	Observer l'image

N°	Description	Fonction
		optique.
3	Télémètre laser	Mesure de la distance par laser.
4	Touche Alimentation	Appuyez pour activer le mode Veille/sortir l'appareil de veille Appuyer longuement pour allumer/éteindre
5	Touche Capturer	Appuyez pour capturer Appuyez longuement pour déclencher l'étalonnage
6	Touche Mesurer	Appuyez pour mesurer la distance à l'aide du laser Maintenez enfoncé pour capturer
7	Touche Menu	Appuyer une fois pour activer le mode palette de couleurs Appuyez longuement pour entrer/sortir du menu
8	Molette	Ajuster le zoom numérique ; sélectionner des fonctions en mode Menu.
9	Interface type C	Connecter l'appareil à l'adaptateur secteur ; connecter l'appareil à votre PC pour exporter des fichiers.
10	Oculaires de visée	Observer la cible et ajuster la dioptrie.
11	Bague de mise au point	Tournez la bague pour régler la mise au point.
12	Indicateur	Indiquer le mode Marche/Arrêt de l'appareil.

### Remarque :

Appuyez simultanément sur la touche Mesurer/Capturer et la touche Menu pour démarrer ou arrêter l'enregistrement.

Appuyez simultanément sur la touche Alimentation, la touche Mesurer/Capturer et la touche Menu pour accéder au menu caché.

### Installer la batterie (Page 4 - B)

### Procédures

1. Pressez et poussez le verrou du compartiment de la batterie (illustré dans le cadre noir), faites pivoter le cache du compartiment de la batterie dans le sens antihoraire jusqu'à ce que ses marques et celles de l'appareil soient alignées, puis démontez le cache du compartiment de la batterie.
2. Insérez la pile dans le compartiment en veillant à insérer le pôle positif en premier.
3. Alignez les repères sur le couvercle de la batterie et celle sur l'appareil, puis remontez le couvercle.
4. Faites tourner le cache du compartiment à piles dans le sens horaire pour le fixer.

**Remarque :** retirez la batterie si vous ne prévoyez pas d'utiliser l'appareil avant longtemps.

#### Manuel d'utilisation



#### Informations légales


©2022 Hangzhou Microimage Software Co., Ltd. Tous droits réservés.

#### À propos de ce manuel

Ce manuel fournit des instructions d'utilisation et de gestion du produit. Les images, les tableaux, les figures et toutes les autres informations ci-après ne sont données qu'à titre de description et d'explication. Les informations contenues dans ce manuel sont modifiables sans préavis, en raison d'une mise à jour d'un micrologiciel ou pour d'autres raisons. Veuillez trouver la dernière version de ce manuel sur le site Internet de HIKMICRO ([www.hikmicrotech.com](http://www.hikmicrotech.com)).

Veuillez utiliser ce mode d'emploi avec les conseils et l'assistance de professionnels spécialement formés dans la prise en charge de ce produit.

#### Marques déposées

 et autres marques commerciales et logos de HIKMICRO sont la propriété de HIKMICRO dans diverses juridictions.

Toutes les autres marques et tous les logos mentionnés appartiennent à leurs propriétaires respectifs.

#### CLAUDE D'EXCLUSION DE RESPONSABILITÉ

DANS LES LIMITES AUTORISÉES PAR LA LOI EN VIGUEUR, LE PRÉSENT MANUEL ET LE PRODUIT DÉCRIT, AINSI QUE SON MATÉRIEL, SES LOGICIELS ET SES MICROLOGICIELS, SONT FOURNIS « EN L'ÉTAT » ET « AVEC CES FAIBLESSES ET ERREURS ». HIKMICRO NE FAIT AUCUNE GARANTIE, EXPLICITE OU IMPLICITE, Y COMPRIS, MAIS SANS S'Y LIMITER, DE QUALITÉ MARCHANDE, DE QUALITÉ SATISFAISANTE, OU D'ADÉQUATION À UN USAGE PARTICULIER. VOUS UTILISEZ LE PRODUIT À VOS PROPRES RISQUES. EN AUCUN CAS, HIKMICRO NE SERA TENU RESPONSABLE DE TOUT DOMMAGE SPÉCIAL, CONSÉCUTIF, ACCESSOIRE OU INDIRECT, Y COMPRIS, ENTRE AUTRES, LES DOMMAGES RELATIFS À LA PERTE DE PROFITS D'ENTREPRISE, À L'INTERRUPTION D'ACTIVITÉS COMMERCIALES, OU LA PERTE DES DONNÉES, LA CORRUPTION DES SYSTÈMES, OU LA PERTE DES DOCUMENTS, S'ILS

SONT BASÉS SUR UNE VIOLATION DE CONTRAT, UNE FAUTE (Y COMPRIS LA NÉGLIGENCE), LA RESPONSABILITÉ EN MATIÈRE DE PRODUITS, OU AUTRE, EN RAPPORT AVEC L'UTILISATION DU PRODUIT, MÊME SI HIKMICRO A ÉTÉ INFORMÉ DE LA POSSIBILITÉ D'UN TEL DOMMAGE OU D'UNE TELLE PERTE.

VOUS RECONNAISSEZ QUE LA NATURE D'INTERNET EST SOURCE DE RISQUES DE SÉCURITÉ INHÉRENTS, ET HIKMICRO SE DÉGAGE DE TOUTE RESPONSABILITÉ EN CAS DE FONCTIONNEMENT ANORMAL, DIVULGATION D'INFORMATIONS CONFIDENTIELLES OU AUTRES DOMMAGES DÉCOULANT D'UNE CYBERATTAQUE, D'UN PIRATAGE INFORMATIQUE, D'UNE INFECTION PAR DES VIRUS, OU AUTRES RISQUES DE SÉCURITÉ LIÉS À INTERNET ; TOUTEFOIS, HIKMICRO FOURNIRA UNE ASSISTANCE TECHNIQUE DANS LES DÉLAIS SI NÉCESSAIRE.

VOUS ACCEPTEZ D'UTILISER CE PRODUIT CONFORMÉMENT À L'ENSEMBLE DES LOIS EN VIGUEUR. IL EST DE VOTRE RESPONSABILITÉ EXCLUSIVE DE VEILLER À CE QUE VOTRE UTILISATION SOIT CONFORME À LA LOI APPLICABLE. IL VOUS APPARTIENDE SURTOUT D'UTILISER CE PRODUIT D'UNE MANIÈRE QUI NE PORTE PAS ATTEINTE AUX DROITS DE TIERS, Y COMPRIS, MAIS SANS S'Y LIMITER, LES DROITS DE PUBLICITÉ, LES DROITS DE PROPRIÉTÉ INTELLECTUELLE, OU LA PROTECTION DES DONNÉES ET D'AUTRES DROITS À LA VIE PRIVÉE. VOUS NE DEVEZ PAS UTILISER CE PRODUIT POUR LA CHASSE ILLÉGALE D'ANIMAUX, LA VIOLATION DE LA VIE PRIVÉE OU POUR TOUTE AUTRE FIN JUGÉE ILLÉGALE OU PRÉJUDICIALE À L'INTÉRÊT PUBLIC. VOUS NE DEVEZ PAS UTILISER CE PRODUIT POUR TOUTE UTILISATION FINALE INTERDITE, NOTAMMENT LA MISE AU POINT OU LA PRODUCTION D'ARMES DE DESTRUCTION MASSIVE, LA MISE AU POINT OU LA FABRICATION D'ARMES CHIMIQUES OU BIOLOGIQUES, LES ACTIVITÉS DANS LE CONTEXTE LIÉ AUX EXPLOSIFS NUCLEAIRES OU AU CYCLE DU COMBUSTIBLE NUCLEAIRE DANGEREUX, OU SOUTENANT LES VIOLATIONS DES DROITS DE L'HOMME. EN CAS DE CONFLIT ENTRE CE MANUEL ET LES LOIS EN VIGUEUR, CES DERNIÈRES PRÉVALENT.

#### Réglementation

Ces clauses ne s'appliquent qu'aux produits portant la marque ou l'information correspondante.

#### Déclaration de conformité UE



Ce produit et, le cas échéant, les accessoires qui l'accompagnent, sont estampillés « CE » et sont donc conformes aux normes européennes harmonisées en vigueur répertoriées sous la Directive 2014/53/UE (DER), la Directive 2014/30/UE (DCEM), la Directive 2014/35/UE (DBT) et la Directive 2011/65/UE (RoHS).



Directive 2012/19/UE (directive DEEE) : Dans l'Union européenne, les produits portant ce pictogramme ne doivent pas être déposés dans une déchèterie municipale ou le tri des déchets n'est pas

pratiqué. Pour un recyclage adéquat, remettez ce produit à votre revendeur lors de l'achat d'un nouvel équipement équivalent, ou déposez-le dans un lieu de collecte prévu à cet effet. Pour plus de précisions, rendez-vous sur : [www.recyclethis.info](http://www.recyclethis.info)



Directive 2006/66/CE et son amendement 2013/56/UE (directive sur les batteries) : Ce produit renferme une batterie qui ne doit pas être déposée dans une déchèterie municipale ou le tri des déchets n'est pas pratiqué, dans l'Union européenne. Pour plus de précisions sur la batterie, reportez-vous à sa documentation. La batterie porte le pictogramme ci-contre, qui peut inclure la mention Cd (cadmium), Pb (plomb) ou Hg (mercure). Pour la recycler correctement, renvoyez la batterie à votre revendeur ou déposez-la dans un point de collecte prévu à cet effet. Pour de plus amples informations, visitez le site Web : [www.recyclethis.info](http://www.recyclethis.info).

### Précautions d'emploi

L'objectif de ces instructions est de garantir que l'utilisateur soit en mesure d'utiliser correctement le produit sans danger ou dommage aux biens.

### Lois et réglementations

L'appareil doit être utilisé conformément à la législation locale ainsi qu'aux réglementations en matière de sécurité électrique et de prévention des incendies.

### Transport

- Gardez l'appareil dans son emballage d'origine ou dans un emballage similaire lors de son transport.
- Veuillez conserver l'emballage de l'appareil pour toute utilisation ultérieure. En cas de panne, vous devrez renvoyer l'appareil à l'usine dans son emballage d'origine.
- Le transport de l'appareil sans son emballage d'origine peut l'endommager, et l'entreprise se dégage de toute responsabilité dans ce cas.
- Ne pas faire tomber le produit ou le soumettre à un choc physique. Gardez l'appareil à l'écart des interférences magnétiques.

### Alimentation électrique

- La tension d'entrée pour l'appareil doit être conforme à celle d'une source d'alimentation limitée (5 V CC, 2 A) selon la norme CEI 61010-1. Veuillez vous référer aux caractéristiques techniques pour des informations détaillées.
- Le chargeur de batterie est inclus dans l'emballage. La tension d'entrée du chargeur de batterie fourni est conforme à la norme en matière de source d'alimentation limitée (5 V CC, 2 A).
- Vérifiez que la prise est correctement branchée à la prise électrique.
- Pour éviter tout risque de surchauffe ou d'incendie dû à une surcharge, ne reliez PAS plusieurs appareils à un seul adaptateur d'alimentation.
- Utilisez l'adaptateur d'alimentation fourni par un fabricant qualifié. Reportez-vous aux spécifications du produit pour les dispositions nécessaires et détaillées en matière d'alimentation. L'environnement d'utilisation de l'adaptateur doit être cohérent à celui de l'appareil.

### Pile

- Une mauvaise utilisation ou une batterie mal remplacée peut entraîner un risque d'explosion. Remplacez-la uniquement par une batterie identique ou de type équivalent. La batterie de type 18650 est équipée d'une carte de

protection. Les dimensions de la batterie sont de 19 x 70 mm. La tension et la capacité nominales de la batterie sont de 3,6 V CC/3,35 A h (12,06 W h). Éliminez les batteries usées conformément aux instructions fournies par leur fabricant.

- Ne chargez pas d'autres types de batteries avec le chargeur fourni. Pendant la recharge des piles, vérifiez qu'il n'y a aucun matériau inflammable à moins de 2 m du chargeur.
- En cas de stockage à long terme de la batterie, assurez-vous qu'elle est complètement chargée tous les six mois afin d'en conserver la qualité. Dans le cas contraire, elle pourrait se détériorer.
- NE placez PAS la batterie à proximité d'une source de chaleur ou de feu. Ne l'exposez pas à la lumière directe du soleil.
- N'avalez PAS la batterie pour éviter les risques de brûlures chimiques.
- Vous ne pouvez pas charger directement la batterie avec une source d'alimentation externe.
- L'appareil n'est pas rechargeable. Veuillez utiliser le chargeur fourni pour charger la batterie.
- Cet équipement n'est pas adapté à un usage dans les endroits où des enfants sont susceptibles d'être présents.
- ATTENTION : Il y a un risque d'explosion lorsque la pile est remplacée par une pile de type incorrect.
- Le remplacement de la pile par une pile du mauvais type peut conduire à l'annulation d'une protection (par exemple, dans le cas de certains types de batteries au lithium).
- Ne jetez pas une batterie au feu ou dans un four chaud, ni ne broyez mécaniquement ou découpez une batterie, car cela pourrait engendrer une explosion.
- Ne laissez pas une batterie dans un environnement ambiant extrêmement chaud, car vous encourez un risque d'explosion ou une fuite de liquide ou de gaz inflammable.
- N'exposez pas une batterie à des pressions atmosphériques extrêmement basses, car vous encourez un risque d'explosion ou une fuite de liquide ou de gaz inflammable.
- Éliminez les batteries usées conformément aux instructions.

### Maintenance

- Si le produit ne fonctionne pas correctement, contactez votre revendeur ou le centre de service le plus proche. Nous n'assurons aucune responsabilité concernant les problèmes causés par une réparation ou une opération de maintenance non autorisée.
- Essuyez délicatement l'appareil à l'aide d'un chiffon propre imbibé d'une petite quantité d'éthanol, si nécessaire.
- Si l'appareil n'est pas utilisé conformément aux indications du fabricant, le dispositif de protection fourni par l'appareil peut être compromis.
- Nettoyez l'objectif à l'aide d'un chiffon doux et sec ou du papier d'essuyage pour éviter de le rayer.

### Environnement d'exploitation

- Assurez-vous que l'environnement d'exploitation répond aux exigences de l'appareil. La température de fonctionnement doit être de -30 °C à 55 °C (-22 °F à 131 °F) et l'humidité de fonctionnement doit être de 95 % ou moins, sans condensation.
- N'exposez PAS l'appareil à des environnements extrêmement chauds, froids, poussiéreux, corrosifs, salins-alcalins ou humides.
- Cet appareil peut uniquement être utilisé en toute sécurité jusqu'à une altitude de 2 000 m au-dessus du niveau de la mer.
- Évitez d'installer l'appareil sur une surface



vibrante ou dans des lieux sujets aux chocs (vous risqueriez d'endommager l'appareil).

- N'orientez pas l'objectif vers le soleil ou toute autre source de lumière vive.

### Urgence

Si de la fumée, des odeurs ou du bruit s'échappent de l'appareil, mettez immédiatement l'appareil hors tension et débranchez le câble d'alimentation, puis contactez un centre de réparation.

### Laser



Pendant l'utilisation de tout équipement générant un laser, veillez à ce que l'objectif de l'appareil ne soit pas exposé au faisceau laser, car il pourrait brûler. Le rayonnement laser

émis par l'appareil peut provoquer des blessures aux yeux, des brûlures de la peau ou générer des substances inflammables. Avant d'activer la fonction de complément de lumière, assurez-vous qu'aucune personne ni aucune substance inflammable ne se trouvent devant l'objectif du laser. Ne placez pas l'appareil à un

endroit où des personnes mineures peuvent y accéder.

### Adresse de fabrication

Logement 313, Unité B, Bâtiment 2, 399 Danfeng Road, Sous-district de Xixing, District de Binjiang, Hangzhou, Zhejiang 310052, Chine

Hangzhou Microimage Software Co., Ltd.  
**AVIS DE CONFORMITÉ** : Il est possible que les produits de la série thermique soient soumis à des contrôles d'exportation dans divers pays ou diverses régions, ce qui inclut, sans s'y limiter, les Etats-Unis, l'Union européenne, le Royaume-Uni ou d'autres pays membres de l'Arrangement de Wassenaar. Veuillez consulter votre expert professionnel en questions juridiques ou en conformité ou les autorités de votre gouvernement local pour toute exigence de permis d'exportation si vous prévoyez de transférer, d'exporter ou de réexporter des produits de la série thermique entre différents pays.

**Español**



La apariencia del producto es solo una referencia y puede diferir de la apariencia real del producto.

### Descripción breve

La cámara monocular térmica de mano es un dispositivo portátil con funciones de observación, punto de acceso wifi, seguimiento activo, fusión de imágenes biespectrales y medición láser de distancias, entre otras. El detector térmico incorporado de alta sensibilidad le proporciona una visión clara incluso en la oscuridad total.

El dispositivo se usa principalmente en actividades al aire libre como, por ejemplo, la caza, la búsqueda y el salvamento, el senderismo y los viajes.

El dispositivo puede tomar instantáneas, grabar vídeos y configurar parámetros mediante la aplicación HIKMICRO Sight una vez conectado a su teléfono por medio de un punto de acceso.

Busque la aplicación HIKMICRO Sight en App Store (dispositivos iOS) o en Google Play™ (dispositivos Android) para descargarla. Alternativamente, puede escanear el código QR para descargarla e instalarla.



Sistema Android



Sistema iOS

Las bandas de frecuencia y los modos, así como los límites nominales de la potencia transmitida (radiada o conducida) aplicables a este dispositivo de radio se indican a continuación:

Wi-Fi a 2,4 GHz (de 2,4 GHz a 2,4835 GHz)	20 dBm
---	--------

### Apariencia (página 2 - A)

Hay dos tipos de cámara monocular térmica portátil. Las descripciones de la apariencia de los dos tipos se muestran a continuación. Seleccione el tipo del producto real como referencia.

### Botones y componentes

Núm.	Descripción	Función
1	Lente térmica	Ver la imagen térmica.
2	Lente óptica	Ver la imagen óptica.
3	Telémetro láser	Medir la distancia con láser.
4	Botón de encendido	Pulsar: modo en espera/reactivar el dispositivo Mantener pulsado: encender/apagar
5	Tecla de captura	Pulsar: capturar Mantener pulsado: activar la calibración
6	Tecla de medición	Pulsar: medir la distancia con el láser Mantener pulsado: capturar
7	Botón menú	Pulsar: paleta de colores Mantener pulsado: entrar/salir del menú
8	Rueda	Ajustar el zoom digital; seleccionar funciones en el modo menú.
9	Interfaz de tipo C	Conectar el dispositivo con el adaptador eléctrico; conectar el dispositivo al PC para exportar archivos.
10	Ocular	Ver el objetivo y ajustar la dioptrías.
11	Anillo de enfoque	Ajusta la visión.
12	Piloto	Indicar el modo de encendido/apagado del dispositivo.

### Nota:

Pulse la tecla de medición/tecla de captura y el botón menú al mismo tiempo para iniciar o detener la grabación.

Pulse el botón de encendido, la tecla de medición/tecla de captura y el botón menú al

mismo tiempo para entrar en el menú oculto.

### Instalación de la batería (página 4 - B)

#### Pasos

1. Presione y empuje el bloqueo del compartimento de la batería (mostrado en el rectángulo), gire la tapa de la batería en sentido contrario horario hasta que las marcas de la tapa y de la carcasa del dispositivo estén alineadas y, a continuación, saque la tapa.
2. Introduzca la batería dentro del compartimento con el polo positivo hacia adentro.
3. Alinee las marcas de la tapa de la batería y la de la carcasa del dispositivo y coloque la tapa.
4. Gire la tapa en sentido horario para que quede bien cerrada.

#### Nota:

Saque las pilas si no va a utilizar el dispositivo durante un periodo prolongado.

#### Manual de usuario



#### Información legal


©2022 Hangzhou Microimage Software Co., Ltd.  
Todos los derechos reservados.

#### Sobre este manual

Este manual incluye las instrucciones de utilización y gestión del producto. Las figuras, gráficos, imágenes y cualquier otra información que encontrará en lo sucesivo tienen únicamente fines descriptivos y aclaratorios. La información incluida en el manual está sujeta a cambios, sin aviso previo, debido a las actualizaciones de software u otros motivos. Visite el sitio web de HIKMICRO ([www.hikmicrotech.com/](http://www.hikmicrotech.com/)) para encontrar la última versión de este manual.

Utilice este manual con la guía y asistencia de profesionales capacitados en el soporte del producto.

#### Marcas registradas

 y otras marcas comerciales y logotipos de HIKMICRO son propiedad de HIKMICRO en diferentes jurisdicciones.

Las demás marcas comerciales y logotipos mencionados son propiedad de sus respectivos dueños.

#### DESCARGO DE RESPONSABILIDAD

EN LA MEDIDA MÁXIMA PERMITIDA POR LAS LEYES APLICABLES, ESTE MANUAL Y EL PRODUCTO DESCRITO — INCLUIDOS SU HARDWARE, SOFTWARE Y FIRMWARE — SE SUMINISTRAN «TAL CUAL» Y «CON TODOS SU FALLOS Y ERRORES». HIKMICRO NO OFRECE GARANTÍAS, EXPLÍCITAS O IMPLÍCITAS, INCLUIDAS, A MODO MERAMENTE ENUNCIATIVO MAS NO LIMITATIVO, AQUELLAS DE COMERCIABILIDAD, CALIDAD SATISFACTORIA O IDONEIDAD PARA UN PROPÓSITO EN PARTICULAR. EL USO QUE HAGA DEL PRODUCTO CORRE BAJO SU ÚNICO RIESGO. EN NINGÚN CASO, HIKMICRO PODRÁ CONSIDERARSE RESPONSABLE ANTE USTED DE NINGÚN DAÑO ESPECIAL, CONSECUENTE, INCIDENTAL O INDIRECTO, INCLUYENDO, ENTRE OTROS, DAÑOS POR PÉRDIDAS DE BENEFICIOS COMERCIALES,

INTERRUPCIÓN DE LA ACTIVIDAD COMERCIAL, PÉRDIDA DE DATOS, CORRUPCIÓN DE LOS SISTEMAS O PÉRDIDA DE DOCUMENTACIÓN, YA SEA POR INCUMPLIMIENTO DEL CONTRATO, AGRAVIO (INCLUYENDO NEGLIGENCIA), RESPONSABILIDAD DEL PRODUCTO O EN RELACIÓN CON EL USO DEL PRODUCTO, INCLUSO CUANDO HIKMICRO HAYA RECIBIDO UNA NOTIFICACIÓN DE LA POSIBILIDAD DE DICHOS DAÑOS O PÉRDIDAS.

USTED RECONOCE QUE LA NATURALEZA DE INTERNET IMPLICA RIESGOS DE SEGURIDAD INHERENTES Y QUE HIKMICRO NO TENDRÁ NINGUNA RESPONSABILIDAD POR NINGÚN FUNCIONAMIENTO ANORMAL, FILTRACIONES DE PRIVACIDAD U OTROS DAÑOS RESULTANTES DE ATAQUES CIBERNÉTICOS, ATAQUES DE PIRATAS INFORMÁTICOS, INFECCIONES DE VIRUS U OTROS RIESGOS DE SEGURIDAD PROPIOS DE INTERNET; NO OBSTANTE, HIKMICRO PROPORCIONARÁ EL APOYO TÉCNICO OPORTUNO DE SER NECESARIO. USTED ACEPTA USAR ESTE PRODUCTO DE CONFORMIDAD CON TODAS LAS LEYES APLICABLES Y SOLO USTED ES EL ÚNICO RESPONSABLE DE ASEGURAR QUE EL USO CUMPLA CON DICHAS LEYES. EN ESPECIAL, USTED ES RESPONSABLE DE USAR ESTE PRODUCTO DE FORMA QUE NO INFIRNJA LOS DERECHOS DE TERCEROS, INCLUYENDO, DE MANERA ENUNCIATIVA MAS NO LIMITATIVA, DERECHOS DE PUBLICIDAD, DERECHOS DE PROPIEDAD INTELECTUAL, DERECHOS RELATIVOS A LA PROTECCIÓN DE DATOS Y OTROS DERECHOS RELATIVOS A LA PRIVACIDAD. NO USARÁ ESTE PRODUCTO PARA LA CAZA ILEGAL DE ANIMALES, LA INVASIÓN DE LA PRIVACIDAD O CUALQUIER OTRO PROPÓSITO QUE SEA ILEGAL O PERJUDICIAL PARA EL INTERÉS PÚBLICO. NO UTILIZARÁ ESTE PRODUCTO PARA NINGÚN USO FINAL PROHIBIDO, INCLUYENDO EL DESARROLLO O LA PRODUCCIÓN DE ARMAS DE DESTRUCCIÓN MASIVA, EL DESARROLLO O PRODUCCIÓN DE ARMAS QUÍMICAS O BIOLÓGICAS, NINGUNA ACTIVIDAD EN EL CONTEXTO RELACIONADO CON ALGÚN EXPLOSIVO NUCLEAR O EL CICLO DE COMBUSTIBLE NUCLEAR INSEGURO O EN APOYO DE ABUSOS DE LOS DERECHOS HUMANOS. EN CASO DE HABER CONFLICTO ENTRE ESTE MANUAL Y LA LEGISLACIÓN VIGENTE, ESTA ÚLTIMA PREVALECE.

#### Información normativa

---

Estas cláusulas solo se aplican a los productos que lleven la marca o la información correspondiente.

---

#### Declaración de conformidad de la UE



Este producto, así como los accesorios suministrados (si procede), tienen el marcado «CE» y, por lo tanto, cumplen con las normativas europeas armonizadas aplicables que se enumeran en la Directiva 2014/53/UE (RED), la Directiva 2014/30/UE (EMCD), la Directiva 2014/35/UE (LVD) y la Directiva 2011/65/UE (RoHS).





Directiva 2012/19/UE (directiva RAEE): En la Unión Europea, los productos marcados con este símbolo no pueden ser desechados en el sistema de basura municipal sin recogida selectiva. Para un reciclaje adecuado, entregue este producto en el lugar de compra del equipo nuevo equivalente o deshágase de él en el punto de recogida designado a tal efecto. Para más información vea la página web: [www.recyclethis.info](http://www.recyclethis.info)



Directiva 2006/66/CE y su enmienda 2013/56/UE (directiva sobre baterías): Este producto lleva una batería que no puede ser desechada en el sistema municipal de basuras sin recogida selectiva dentro de la Unión Europea. Consulte la documentación del producto para ver la información específica de la batería. La batería lleva marcado este símbolo, que incluye unas letras indicando si contiene cadmio (Cd), plomo (Pb), o mercurio (Hg). Para un reciclaje adecuado, entregue la batería a su vendedor o llévela al punto de recogida de basuras designado a tal efecto. Para más información visite: [www.recyclethis.info](http://www.recyclethis.info).

### Instrucciones de seguridad

Estas instrucciones están destinadas a garantizar que el usuario pueda utilizar el producto correctamente para evitar peligros o pérdidas materiales.

### Leyes y normativas

El dispositivo debe ser utilizado cumpliendo con la legislación local y las normativas de seguridad eléctrica y prevención de incendios.

### Transporte

- Guarde el dispositivo en su paquete original o en uno similar cuando lo transporte.
- Guarde el embalaje para uso futuro. En el caso de que ocurra algún fallo, deberá devolver el dispositivo a la fábrica con el envoltorio original.
- En caso de transporte sin el envoltorio original podría resultar en daños en el dispositivo y la empresa no se hará responsable.
- No deje caer el producto ni lo someta a impactos físicos. Mantenga el dispositivo alejado de interferencias magnéticas.

### Fuente de alimentación

- La tensión de entrada al dispositivo debe coincidir con la fuente de alimentación limitada (5 Vcc, 2 A) en conformidad con la norma IEC61010-1. Consulte las especificaciones técnicas para obtener información detallada.
- El cargador de batería se incluye en el paquete. La tensión de entrada para el cargador de baterías suministrado debe cumplir con la normativa para fuentes de alimentación limitada (5 VCC, 2 A).
- Asegúrese de que el enchufe esté correctamente conectado a la toma de corriente.
- NO conecte múltiples dispositivos a un mismo adaptador de corriente, para evitar el sobrecalentamiento y los riesgos de incendio por sobrecarga.
- Utilice el adaptador eléctrico de un fabricante reconocido. Consulte las especificaciones técnicas del producto para conocer los requisitos eléctricos detallados. El entorno de uso del adaptador eléctrico tiene que ser consistente con el del dispositivo.

### Batería

- El uso o sustitución inadecuados de la batería pueden ser un riesgo de explosión. Cambiela únicamente por otra del mismo tipo o equivalente. La batería es del tipo 18650 con panel de protección, y su tamaño debe ser

menor de 19 × 70 mm. La tensión nominal y la capacidad son 3,6 VCC/3,35 Ah (12,06 Wh). Deshágase de las baterías usadas conforme a las instrucciones proporcionadas por el fabricante de la batería.

- No cargue otros tipos de baterías con el cargador suministrado. Confirme que no haya material inflamable a menos de 2 m del cargador durante la carga.
- Para almacenar la batería durante un periodo prolongado, compruebe que esté completamente cargada cada medio año para garantizar la calidad de la misma. De lo contrario, podrían ocurrir daños.
- NO coloque la batería cerca de fuentes de calor o de fuego. Evite la luz directa del sol.
- NO se trague la batería para evitar quemaduras químicas.
- La batería no puede cargarse enchufándola directamente a la red eléctrica externa.
- Para cargar la batería del dispositivo, use el cargador eléctrico suministrado.
- Este equipo no es adecuado para utilizarlo en lugares donde pueda haber niños.
- PRECAUCIÓN: Riesgo de explosión si se reemplaza la batería por otra de tipo incorrecto.
- Una sustitución inadecuada de la batería por otra de tipo incorrecto podría inhabilitar alguna medida de protección (por ejemplo, en el caso de algunas baterías de litio).
- No arroje la batería al fuego ni la meta en un horno caliente, ni intente aplastar o cortar mecánicamente la batería, ya que podría explotar.
- No deje la batería en lugares con temperaturas extremadamente altas, ya que podría explotar o tener fugas de líquido electrolítico o gas inflamable.
- No permita que la batería quede expuesta a una presión de aire extremadamente baja, ya que podría explotar o tener fugas de líquido electrolítico o gas inflamable.
- Deshágase de las baterías usadas conforme a las instrucciones.

### Mantenimiento

- Si el producto no funciona correctamente, por favor, póngase en contacto con su distribuidor o con el centro de servicio técnico más próximo. No nos haremos responsables de los problemas derivados de una reparación o mantenimiento no autorizados.
- Limpie suavemente el dispositivo con una gamuza limpia con una pequeña cantidad de etanol, si fuese necesario.
- Si se utiliza el equipo de una manera no especificada por el fabricante, la protección del dispositivo podría verse mermada.
- Limpie las lentes con un paño suave y seco o papel para limpiar cristales para evitar arañazos.

### Entorno de uso

- Compruebe que el entorno de uso se adapte a los requisitos del dispositivo. La temperatura de funcionamiento estará entre -30 °C y 55 °C y la humedad de funcionamiento será del 95 % o inferior, sin condensación.
- NO exponga el dispositivo a entornos excesivamente cálidos, fríos, con polvo, corrosivos, salinos-alcálinos o húmedos.
- Evite instalar el equipo sobre superficies sometidas a vibraciones o en lugares donde pueda sufrir golpes (la negligencia puede ocasionar daños en el equipo).
- No oriente la lente hacia el sol ni a otras luces brillantes.

### Emergencia

Si hay presencia de humo, olores o ruidos procedentes del dispositivo, apague la alimentación inmediatamente, desenchufe el

cable de alimentación y contacte con el servicio técnico.

#### Láser



Cuando utilice equipos láser, asegúrese de que el objetivo del dispositivo no quede expuesto al rayo láser ya que podría quemarse. La radiación láser emitida por el dispositivo puede causar lesiones oculares, quemaduras cutáneas o inflamar sustancias. Antes de activar la función de luz suplementaria, compruebe que no haya personas ni sustancias inflamables frente al objetivo láser. No coloque el dispositivo al alcance de menores.

#### Dirección de fabricación

Habitación 313, Unidad B, Edificio 2, Carretera de

Danfeng 399, Subdistrito de Xixing, Distrito de Binjiang, Hangzhou, Zhejiang 310052, China Hangzhou Microimage Software Co., Ltd.

**AVISO DE CONFORMIDAD:** Los productos de las series térmicas podrían estar sujetos a controles de exportación en algunos países o regiones; entre ellos, por ejemplo, los Estados Unidos, la Unión Europea, el Reino Unido y/o otros países miembros del Arreglo de Wassenaar. Consulte con algún experto en cumplimiento normativo y legal o con las autoridades gubernamentales locales para cumplir con los requisitos de licencia de exportación necesarios si desea transferir, exportar o reexportar los productos de las series térmicas entre distintos países.

### Português



A aparência do produto serve apenas de referência e pode ser diferente do produto real.

#### Breve descrição

A câmara monocular térmica de mão é um dispositivo portátil com funcionalidades de observação, hotspot Wi-Fi, seguimento térmico, fusão de imagens biespectrais, medição a laser da distância, entre outras. O detetor térmico de alta sensibilidade integrado proporciona-lhe uma visão clara, mesmo na escuridão total.

O dispositivo aplica-se, principalmente, a atividades de exterior tais como para caça, busca e resgate, montanhismo e viagem.

O dispositivo consegue tirar instantâneos, gravar vídeos e, se o ligar ao seu telemóvel por intermédio de um hotspot, configurar parâmetros através da aplicação HIKMICRO Sight.

Pesquise HIKMICRO Sight na App Store (Sistema iOS) ou no Google Play™ (Sistema Android) para a transferir, ou faça a leitura do código QR para transferir e instalar a aplicação.



Sistema Android



Sistema iOS

As bandas e os modos de frequência e os limites nominais de potência transmitida (radiada e/ou conduzida) aplicáveis a este dispositivo de rádio são os seguintes:

Wi-Fi 2,4 GHz (2,4 GHz a 2,4835 GHz)	20 dBm
--------------------------------------	--------

#### Aspeto (Página 2 - A)

Estão disponíveis dois tipos de câmara monocular térmica de mão. As descrições do aspeto dos dois tipos são apresentadas abaixo. Tenha o produto real como referência.

#### Botões e Componentes

N.º	Descrição	Função
1	Lente térmica	Ver a imagem térmica.
2	Lente ótica	Ver a imagem ótica.

N.º	Descrição	Função
3	Medidor de distâncias a laser	Medir a distância com o laser.
4	Tecla de ligar/desligar	Premir: modo de espera/reativar o dispositivo Premir sem soltar: ligar/desligar
5	Tecla de captura	Premir: captura Premir sem soltar: calibração do obturador
6	Tecla de medição	Premir: medição da distância com o laser Premir sem soltar: captura
7	Tecla do menu	Premir: paletas Premir sem soltar: entrar no/sair do menu
8	Roda	Ajustar o zoom digital; selecionar funções no modo de menu.
9	Interface Tipo-C	Ligar o dispositivo ao adaptador de alimentação; ligar o dispositivo ao computador para exportar ficheiros.
10	Oculares	Ver o alvo, e ajustar a dioptria.
11	Anel de foco	Ajustar a vista.
12	Indicador	Indicar o modo ligado/desligado do dispositivo.

#### Nota:

Prima a tecla de medição/tecla de captura e a tecla do menu em simultâneo para iniciar ou parar a gravação.

Prima a tecla de ligar/desligar, a tecla de medição/tecla de captura e a tecla do menu em simultâneo para entrar no menu oculto.

#### Instalar a bateria (Página 4 - B)

##### Passos

1. Prima e empurre o bloqueio do compartimento da bateria (mostrado na moldura a preto), rode a tampa do compartimento no sentido contrário ao dos ponteiros do relógio até as marcas na tampa do compartimento e no dispositivo estarem alinhadas e, em seguida, retire a tampa do compartimento.

2. Insira a bateria no respetivo compartimento com o pólo positivo para dentro.
3. Alinhe as marcas existentes na tampa da bateria e no dispositivo e coloque a tampa da bateria sobre a mesma.
4. Rode a tampa do compartimento no sentido dos ponteiros do relógio para a fixar.

**Nota:**

retire as pilhas do dispositivo caso vá passar muito tempo sem o utilizar.

**Manual de utilizador**



**Informação legal**

©2022 Hangzhou Microimage Software Co., Ltd. Todos os direitos reservados.

**Acerca deste Manual**

O Manual inclui instruções para utilizar e gerir o produto. As fotografias, os gráficos, as imagens e todas as outras informações doravante apresentadas destinam-se apenas a fins de descritivos e informativos. As informações que constam do Manual estão sujeitas a alteração, sem aviso prévio, devido a atualizações de firmware ou a outros motivos. Encontre a versão mais recente deste Manual no website da HIKMICRO ([www.hikmicrotech.com/](http://www.hikmicrotech.com/)).

Utilize este Manual sob orientação e com a assistência de profissionais formados neste Produto.

**Marcas comerciais**

**HIKMICRO** e outras marcas registadas e logótipos da HIKMICRO são propriedades da HIKMICRO em diversos territórios.

Outras marcas comerciais e logótipos mencionados são propriedade dos respetivos proprietários.

**AVISO LEGAL**

NA MEDIDA MÁXIMA PERMITIDA PELA LEI APLICÁVEL, ESTE MANUAL E O PRODUTO DESCRITO, COM O SEU HARDWARE, SOFTWARE E FIRMWARE, SÃO FORNECIDOS "TAL COMO ESTÃO" E "COM TODAS AS SUAS FALHAS E ERROS". A HIKMICRO NÃO APRESENTA QUAISQUER GARANTIAS, EXPRESSAS OU IMPLÍCITAS, INCLUINDO, SEM QUAISQUER LIMITAÇÕES, GARANTIAS DE COMERCIABILIDADE, QUALIDADE SATISFATORIA OU ADEQUAÇÃO A UM DETERMINADO FIM. A SUA UTILIZAÇÃO DESTES PRODUTO É FEITA POR SUA CONTA E RISCO. EM NENHUMA CIRCUNSTÂNCIA, A HIKMICRO SERÁ RESPONSÁVEL POR SI EM RELAÇÃO A QUAISQUER DANOS ESPECIAIS, CONSEQUENCIAIS, INCIDENTAIS OU INDIRETOS, INCLUINDO, ENTRE OUTROS, DANOS PELA PERDA DE LUCROS COMERCIAIS, INTERRUÇÃO DA ATIVIDADE, PERDA DE DADOS, CORRUPÇÃO DE SISTEMAS OU PERDA DE DOCUMENTAÇÃO SEJA COM BASE NUMA VIOLAÇÃO DO CONTRATO, ATOS ILÍCITOS (INCLUINDO NEGLIGÊNCIA), RESPONSABILIDADE PELO PRODUTO OU, DE OUTRO MODO, RELACIONADA COM A UTILIZAÇÃO DO PRODUTO, AINDA QUE A HIKMICRO TENHA SIDO AVISADA

**SOBRE A POSSIBILIDADE DE TAIS DANOS OU PERDAS.**

O UTILIZADOR RECONHECE QUE A NATUREZA DA INTERNET OFERECE RISCOS DE SEGURANÇA INERENTES E QUE A HIKMICRO NÃO SERÁ RESPONSABILIZADA POR UM FUNCIONAMENTO ANORMAL, PERDA DE PRIVACIDADE OU OUTROS DANOS RESULTANTES DE ATAQUES INFORMÁTICOS, ATAQUES DE PIRATARIA, INFECÇÃO POR VÍRUS OU OUTROS RISCOS ASSOCIADOS À SEGURANÇA DA INTERNET. NO ENTANTO, A HIKMICRO PRESTARÁ APOIO TÉCNICO ATEMPADO, SE SOLICITADO.

O UTILIZADOR ACEITA UTILIZAR ESTE PRODUTO EM CONFORMIDADE COM TODAS AS LEIS APLICÁVEIS E SER O ÚNICO RESPONSÁVEL POR GARANTIR QUE A SUA UTILIZAÇÃO É CONFORME À LEI APLICÁVEL. PARTICULARMENTE, O UTILIZADOR É O RESPONSÁVEL PELA UTILIZAÇÃO DESTES PRODUTO DE MODO QUE NÃO INFRIJA OS DIREITOS DE TERCEIROS, INCLUINDO, ENTRE OUTROS, OS DIREITOS DE PUBLICIDADE, DIREITOS DE PROPRIEDADE INTELECTUAL OU DE PROTEÇÃO DE DADOS, OU QUAISQUER OUTROS DIREITOS DE PRIVACIDADE. NÃO DEVE UTILIZAR ESTE PRODUTO PARA CAÇADAS DE ANIMAIS ILEGAIS, INVASÃO DE PRIVACIDADE OU QUALQUER OUTRA FINALIDADE QUE SEJA ILEGAL OU CONTRÁRIA AO INTERESSE PÚBLICO. O UTILIZADOR NÃO PODERÁ UTILIZAR ESTE PRODUTO PARA QUAISQUER UTILIZAÇÕES FINAIS PROIBIDAS, INCLUINDO O DESENVOLVIMENTO OU PRODUÇÃO DE ARMAS DE DESTRUÇÃO MACIÇA, DESENVOLVIMENTO OU PRODUÇÃO DE QUÍMICOS OU ARMAS BIOLÓGICAS, QUAISQUER ATIVIDADES DESENVOLVIDAS NO ÂMBITO DE EXPLOSIVOS NUCLEARES OU CICLOS DE COMBUSTÍVEL NUCLEAR INSEGURO OU PARA APOIAR ABUSOS AOS DIREITOS HUMANOS. NA EVENTUALIDADE DA OCORRÊNCIA DE ALGUM CONFLITO ENTRE ESTE MANUAL E A LEGISLAÇÃO APLICÁVEL, ESTA ÚLTIMA PREVALECE.

**Informações sobre as normas reguladoras**

**As presentes cláusulas aplicam-se apenas aos produtos que apresentam a marcação ou informação correspondentes.**

**Declaração de conformidade da UE**



Este produto e, se aplicável, os acessórios fornecidos também têm a marca "CE" e, portanto, estão em conformidade com as normas europeias harmonizadas aplicáveis enumeradas na Diretiva 2014/53/UE (RED), Diretiva 2014/30/UE (EMCD), Diretiva 2014/35/UE (LVD) e Diretiva 2011/65/UE (RoHS).



Diretiva 2012/19/UE (Diretiva REEE): Os produtos com este símbolo não podem ser eliminados como resíduos urbanos indiferenciados na União Europeia. Para uma reciclagem adequada, devolva este produto ao seu fornecedor local quando adquirir um novo equipamento equivalente ou elimine-o através dos pontos de recolha adequados. Para obter mais informações consulte: [www.recyclethis.info](http://www.recyclethis.info)

Diretiva 2006/66/CE e respetiva alteração 2013/56/UE (Diretiva relativa às pilhas e baterias): Este produto contém uma bateria que não pode



ser eliminada como resíduo urbano indiferenciado na União Europeia. Consulte a documentação do produto para obter informações específicas acerca da bateria.

A bateria está marcada com este símbolo, que poderá incluir inscrições para indicar a presença de cádmio (Cd), chumbo (Pb), ou mercúrio (Hg). Para reciclar o produto de forma adequada, devolva a bateria ao seu fornecedor ou coloque-a num ponto de recolha apropriado. Para mais informações, consulte: [www.recyclethis.info](http://www.recyclethis.info).

### Instruções de segurança

Estas instruções destinam-se a garantir que o utilizador possa utilizar o produto corretamente para evitar perigos ou perdas materiais.

### Legislação e regulamentos

O dispositivo deve ser utilizado em conformidade com as leis, regulamentos de segurança elétrica e regulamentos de prevenção de incêndios locais.

### Transporte

- Mantenha o dispositivo na embalagem original ou similar, quando o transportar.
- Depois da abertura da embalagem do produto, guarde todos invólucros, para uso posterior. Em caso de qualquer avaria, deve devolver o dispositivo à fábrica com o invólucro original.
- O transporte sem o invólucro original pode resultar em danos no dispositivo, sendo que a empresa não assumirá quaisquer responsabilidades.
- Não deixe o produto cair, nem o sujeite a impactos físicos. Mantenha o dispositivo longe de interferências magnéticas.

### Alimentação elétrica

- A tensão de entrada para o dispositivo deve cumprir a Fonte de potência limitada (5 V CC, 2 A), de acordo com a norma IEC61010-1. Consulte as especificações técnicas para obter informações detalhadas.
- O carregador da bateria está incluído na embalagem. A tensão de entrada do carregador da bateria fornecido deve estar em conformidade com a Fonte de Alimentação Limitada (5 VCC, 2 A).
- Certifique-se de que a ficha está devidamente ligada à tomada.
- NÃO ligue vários dispositivos a um adaptador de energia, para evitar o superaquecimento de riscos de incêndio provocados por sobrecarga.
- Utilize o adaptador de alimentação fornecido por um fabricante qualificado. Para informações detalhadas sobre os requisitos relativos à alimentação, consulte as especificações do produto. O ambiente de utilização do adaptador deve ser consistente com o do dispositivo.

### Bateria

- A utilização ou substituição inadequadas da bateria poderá resultar em risco de explosão. Substitua apenas por uma bateria do mesmo tipo ou de tipo equivalente. A bateria é do tipo 18650 com placa de proteção e o tamanho da bateria deve situar-se entre 19 mm x 70 mm. A tensão e a capacidade nominal é de 3,6 VCC/3,35 Ah (12,06 Wh). Elimine as baterias usadas em conformidade com as instruções fornecidas pelo fabricante da bateria.
- Não carregue outro tipo de bateria com o carregador fornecido. Certifique-se de que não existe material inflamável no raio de dois metros do carregador enquanto o carregamento é efetuado.
- Em caso de armazenamento prolongado da bateria, certifique-se de que esta é totalmente carregada de 6 em 6 meses, garantindo, assim, a sua qualidade. Caso contrário, poderão ocorrer

danos.

- NÃO coloque a bateria perto de uma fonte de calor ou do fogo. Evite a luz solar direta.
- NÃO engula a bateria para evitar queimaduras químicas.
- A bateria não pode ser diretamente carregada com uma fonte de alimentação externa.
- Não é possível carregar o dispositivo; utilize o carregador fornecido para carregar a bateria.
- Este equipamento não se adequa a utilização em locais onde a presença de crianças seja provável.
- **ADVERTÊNCIA:** Existe risco de explosão se a bateria for substituída por outra de tipo incorreto.
- A substituição incorreta da bateria por outra de tipo incorreto pode destruir uma proteção (por exemplo, no caso de alguns tipos de bateria de lítio).
- Não proceda à eliminação da bateria numa fogueira ou forno quente, ou mediante esmagamento ou corte mecânico da mesma pois tal pode resultar numa explosão.
- Não deixe a bateria num ambiente com temperaturas extremamente elevadas pois tal pode resultar numa explosão ou na fuga de líquido inflamável ou gás.
- Não sujeite a bateria a pressão de ar extremamente baixa pois tal poderá resultar numa explosão de líquido inflamável ou gás.
- Elimine as pilhas usadas de acordo com as instruções.

### Manutenção

- Se o produto não funcionar corretamente, contacte o seu fornecedor ou o seu centro de assistência mais próximo. Não assumimos qualquer responsabilidade por problemas causados por reparações ou manutenções não autorizadas.
- Limpe o dispositivo suavemente com um pano limpo e uma pequena quantidade de etanol, se necessário.
- Se o equipamento for utilizado de uma forma não especificada pelo fabricante, a proteção providenciada pelo dispositivo poderá ser afetada.
- Limpe a lente com um pano macio ou toallete de papel para evitar risc-la.

### Ambiente da utilização

- Certifique-se de que o ambiente de funcionamento do dispositivo cumpre os requisitos do mesmo. A temperatura de funcionamento deverá situar-se entre -30 °C e 55 °C e a humidade de operação deverá ser de 95% ou inferior, sem condensação.
- NÃO exponha o dispositivo a ambientes extremamente quentes, frios, poeirentos, corrosivos, alcalino salinos ou húmidos.
- Evite a instalação do equipamento em superfícies vibratórias ou locais sujeitos a choques (a negligência pode causar danos ao equipamento).
- Não direcione a lente para o sol nem para qualquer outra luz brilhante.

### Emergência

Caso o dispositivo emita fumo, odores ou ruídos, desligue a alimentação elétrica de imediato, retire o cabo de alimentação da tomada e contacte o centro de assistência.

### Laser



Quando estiver a utilizar qualquer equipamento a laser, verifique se a lente do dispositivo não se encontra exposta ao feixe de laser, caso contrário pode queimar. A radiação laser emitida pelo dispositivo pode provocar lesões oculares, queimaduras na pele ou a combustão de substâncias inflamáveis. Antes de ativar a função de Luz suplementar, certifique-se

de que não existem pessoas ou substâncias inflamáveis diante da lente laser. Não coloque o dispositivo num local ao alcance de menores de idade.

#### Endereço do fabricante

Sala 313, Unidade B, Edifício 2, Rua Danfeng 399, Subdistrito Xixing, Distrito Binjiang, Hangzhou, Zhejiang 310052, China  
Hangzhou Microimage Software Co., Ltd.  
AVISO DE CONFORMIDADE: Os produtos da série

térmica poderão estar sujeitos a controlos de exportação em vários países ou regiões, incluindo sem limite, os Estados Unidos da América, a União Europeia, o Reino Unido e/ou outros países-membro do Acordo de Wassenaar. Consulte o seu especialista em legislação ou em conformidade ou as autoridades locais para saber os requisitos de licença de exportação necessários se pretender transferir, exportar, voltar a exportar os produtos da série térmica entre países diferentes.

**Italiano**



L'immagine del prodotto serve solo come riferimento e potrebbe differire dal prodotto effettivo.

#### Descrizione sintetica

La termocamera monoculare portatile è un dispositivo portatile con funzioni di osservazione, hotspot Wi-Fi, tracciamento del calore, fusione di immagini a doppio spettro, misurazione della distanza mediante laser e così via. Il sensore termico integrato ad alta sensibilità offre una visione chiara anche in condizioni di totale oscurità.

Il dispositivo è pensato in particolare per essere utilizzato all'aperto per attività di caccia, soccorso, escursionismo, ecc.

Il dispositivo consente di acquisire immagini istantanee, registrare video e impostare i parametri tramite l'app HIKMICRO Sight attraverso la connessione a un telefono mediante hotspot Wi-Fi.

Cercare l'app HIKMICRO Sight nell'App Store (per iOS) o in Google Play™ (per Android) e scaricarla, oppure scansionare il codice QR per scaricarla e installarla.



Per Android



Per iOS

Le bande di frequenza e le modalità e i limiti nominali di potenza trasmessa (irradiata e/o condotta) applicabili al presente dispositivo radio sono i seguenti:

Wi-Fi da 2,4 GHz (da 2,4 a 2,4835 GHz)	20 dBm
--	--------

#### Descrizione (Pagina 2 - A)

Sono disponibili due tipi di termocamera monoculare portatile. Le descrizioni dei due tipi sono riportate qui sotto. Fare riferimento al prodotto reale.

#### Pulsanti e componenti

N.	Descrizione	Funzione
1	Obiettivo termico	Mostra l'immagine termografica.
2	Obiettivo ottico	Mostra l'immagine ottica.
3	Telemetro laser	Misurazione della distanza con il laser.

N.	Descrizione	Funzione
4	Pulsante di alimentazione	Pressione breve: consente di mettere il dispositivo in standby e di riattivarlo Pressione lunga: consente di accendere e spegnere
5	Pulsante di acquisizione	Pressione breve: consente di acquisire l'immagine Pressione lunga: consente di attivare la calibrazione
6	Pulsante di misurazione	Pressione breve: misurazione della distanza con il laser Pressione lunga: acquisizione immagini
7	Pulsante del menu	Pressione breve: consente di regolare la gamma di colori Pressione lunga: consente di accedere al menu o di uscirne
8	Ghiera zigrinata	Regola lo zoom digitale; seleziona le funzioni in modalità menu.
9	Connettore USB-C	Per connettere il dispositivo all'alimentatore; per connettere il dispositivo a un PC ed esportare i file.
10	Oculari	Per visualizzare il soggetto e regolare la diottria.
11	Ghiera di messa a fuoco	Si usa per mettere a fuoco.
12	Indicatore	Indica se il dispositivo è acceso o spento.

#### Nota:

Premere contemporaneamente il pulsante di misurazione/acquisizione e il pulsante del menu per avviare o interrompere la registrazione. Premere contemporaneamente il pulsante di alimentazione, quello di misurazione/acquisizione e quello del menu per accedere al menu nascosto.

#### Installazione della batteria (Pagina 4 - B)

##### Procedura

1. Premere e spingere il fermo del vano batteria (mostrato nel riquadro nero), ruotare il coperchio del vano batteria in senso antiorario

- finché i segni sul coperchio e sul dispositivo non siano allineati, quindi rimuovere il coperchio del vano batteria.
- Inserire la batteria nel vano, con il polo positivo verso l'interno.
  - Allineare il segno sul coperchio della batteria e quello sul dispositivo, quindi riposizionare il coperchio della batteria.
  - Ruotare in senso orario il coperchio del vano batteria per fissarlo.

**Nota:**

se il dispositivo rimane inutilizzato per un lungo periodo, rimuovere le batterie.

**Manuale d'uso**



**Informazioni legali**


©2022 Hangzhou Microimage Software Co., Ltd. Tutti i diritti riservati.

**Informazioni sul presente Manuale**

Il presente Manuale contiene le istruzioni per l'uso e la gestione del prodotto. Le illustrazioni, i grafici e tutte le altre informazioni che seguono hanno solo scopi illustrativi ed esplicativi. Le informazioni contenute nel Manuale sono soggette a modifiche senza preavviso in seguito ad aggiornamenti del firmware o per altri motivi. Scaricare la versione più recente del presente Manuale dal sito web di HIKMICRO ([www.hikmicrotech.com/](http://www.hikmicrotech.com/)).

Utilizzare il presente Manuale con la supervisione e l'assistenza di personale qualificato nel supporto del prodotto.

**Marchi commerciali**

 e gli altri marchi registrati e loghi di HIKMICRO sono di proprietà di HIKMICRO nelle varie giurisdizioni.

Gli altri marchi registrati e loghi menzionati appartengono ai rispettivi proprietari.

**ESCLUSIONE DI RESPONSABILITÀ**

NELLA MISURA MASSIMA CONSENTITA DALLA LEGGE VIGENTE, QUESTO MANUALE E IL PRODOTTO DESCRITTO, CON IL SUO HARDWARE, SOFTWARE E FIRMWARE, SONO FORNITI "COSÌ COME SONO" E "CON TUTTI I DIFETTI E GLI ERRORI". HIKMICRO NON RILASCI ALCUNA GARANZIA, NÉ ESPRESSA NÉ IMPLICITA COME, SOLO A TITOLO DI ESEMPIO, GARANZIE DI COMMERCIALIZZABILITÀ, QUALITÀ SODDISFACENTE O IDONEITÀ PER UN USO SPECIFICO. L'UTENTE UTILIZZA IL PRODOTTO A PROPRIO RISCHIO. HIKMICRO DECLINA QUALSIASI RESPONSABILITÀ VERSO L'UTENTE IN RELAZIONE A DANNI SPECIALI, CONSEGUENZIALI E INCIDENTALI, COMPRESI, TRA GLI ALTRI, I DANNI DERIVANTI DA MANCATO PROFITTO, INTERRUZIONE DELL'ATTIVITÀ O PERDITA DI DATI, DANNEGGIAMENTO DI SISTEMI O PERDITA DI DOCUMENTAZIONE, DERIVANTI DA INADEMPIENZA CONTRATTUALE, ILLECITO (COMPRESA LA NEGLIGENZA), RESPONSABILITÀ PER DANNI AI PRODOTTI O ALTRIMENTI IN RELAZIONE ALL'USO DEL PRODOTTO, ANCHE QUALORA HIKMICRO SIA STATA INFORMATO DELLA POSSIBILITÀ DI TALI DANNI O PERDITE.

L'UTENTE RICONOSCE CHE LA NATURA DI INTERNET PREVEDE RISCHI DI SICUREZZA INTRINSECI E CHE HIKMICRO DECLINA QUALSIASI RESPONSABILITÀ IN RELAZIONE A FUNZIONAMENTI ANOMALI, VIOLAZIONE DELLA RISERVATEZZA O ALTRI DANNI RISULTANTI DA ATTACCHI INFORMATICI, INFEZIONE DA VIRUS O ALTRI RISCHI LEGATI ALLA SICUREZZA SU INTERNET; TUTTAVIA, HIKMICRO FORNIRÀ TEMPESTIVO SUPPORTO TECNICO, SE NECESSARIO.

L'UTENTE ACCETTA DI UTILIZZARE IL PRODOTTO IN CONFORMITÀ A TUTTE LE LEGGI VIGENTI E DI ESSERE IL SOLO RESPONSABILE DI TALE UTILIZZO CONFORME. IN PARTICOLARE, L'UTENTE È RESPONSABILE DEL FATTO CHE L'UTILIZZO DEL PRODOTTO NON VIOLI DIRITTI DI TERZI COME, SOLO A TITOLO DI ESEMPIO, DIRITTI DI PUBBLICITÀ, DIRITTI DI PROPRIETÀ INTELLETTUALE O DIRITTI RELATIVI ALLA PROTEZIONE DEI DATI E ALTRI DIRITTI RIGUARDANTI LA PRIVACY. NON UTILIZZARE QUESTO PRODOTTO PER CACCIA ILLEGALE, VIOLAZIONE DELLA PRIVACY O ALTRI SCOPI ILLECITI O CONTRARI ALL'INTERESSE PUBBLICO. NON È CONSENTITO UTILIZZARE QUESTO PRODOTTO PER SCOPI PROIBITI, COME, TRA GLI ALTRI, LA PRODUZIONE DI ARMI DI DISTRUZIONE DI MASSA, LO SVILUPPO O LA PRODUZIONE DI ARMI CHIMICHE O BIOLOGICHE, QUALSIASI ATTIVITÀ SVOLTA IN CONTESTI CORRELATI A ESPLOSIONI NUCLEARI O COMBUSTIBILI NUCLEARI NON SICURI O ATTIVITÀ CHE CAUSINO VIOLAZIONI DEI DIRITTI UMANI. IN CASO DI CONFLITTO TRA IL PRESENTE MANUALE E LA LEGGE VIGENTE, PREVARRÀ QUEST'ULTIMA.

**Informazioni sulle norme**

**Queste clausole si applicano solo ai prodotti recanti il marchio o le informazioni corrispondenti.**

**Dichiarazione di conformità UE**



Il presente prodotto e, ove applicabile, gli accessori in dotazione sono contrassegnati con il marchio "CE" e sono quindi conformi alle norme europee armonizzate vigenti di cui alla direttiva europea sulle apparecchiature radio (RED) 2014/53/UE, direttiva compatibilità elettromagnetica (EMCD) 2014/30/UE, direttiva bassa tensione (LVD) 2014/35/CE e direttiva sulla restrizione dell'uso di sostanze pericolose (RoHS) 2011/65/UE.



Direttiva 2012/19/UE (RAEE): i prodotti contrassegnati con il presente simbolo non possono essere smaltiti come rifiuti domestici indifferenziati nell'Unione europea. Per lo smaltimento corretto, restituire il prodotto al rivenditore in occasione dell'acquisto di un nuovo dispositivo o smaltirlo nei punti di raccolta autorizzati. Per ulteriori informazioni, visitare: [www.recyclethis.info](http://www.recyclethis.info)



Direttiva 2006/66/CE, modificata dalla direttiva 2013/56/UE (direttiva sulle batterie): questo prodotto contiene una batteria e non è possibile smaltirlo con i rifiuti domestici indifferenziati nell'Unione europea. Consultare la documentazione del



prodotto per le informazioni specifiche sulla batteria. La batteria è contrassegnata con il presente simbolo, che potrebbe includere le sigle di cadmio (Cd), piombo (Pb) o mercurio (Hg). Per lo smaltimento corretto, restituire la batteria al rivenditore locale o smaltirla nei punti di raccolta autorizzati. Ulteriori informazioni sono disponibili sul sito: [www.recyclethis.info](http://www.recyclethis.info).

### Istruzioni per la sicurezza

Le presenti istruzioni hanno lo scopo di garantire che il prodotto venga utilizzato in modo corretto, evitando situazioni di pericolo o danni materiali.

### Leggi e regolamenti

Il dispositivo deve essere utilizzato rispettando le leggi locali, le norme sulla sicurezza elettrica e le norme sulla prevenzione degli incendi.

### Trasporto

- Per trasportare il dispositivo, riporlo nella confezione originale o in una analoga.
- Dopo aver disimballato il prodotto, conservare tutto il materiale di imballaggio per riutilizzarlo in futuro. In caso di guasti, sarà necessario inviare il dispositivo al produttore nell'imballaggio originale.
- Il trasporto senza l'imballaggio originale può causare danni al dispositivo; in tal caso il produttore declina ogni responsabilità.
- Non lasciar cadere il prodotto e non sottoporlo a impatti. Tenere il dispositivo lontano dai campi magnetici.

### Alimentazione

- La tensione di ingresso del dispositivo deve essere conforme alla norma IEC61010-1 sulle fonti di alimentazione limitate (5 VCC; 2 A). Per informazioni dettagliate, consultare le specifiche tecniche.
- Il caricabatterie è incluso nella confezione. La tensione di ingresso dei caricabatterie in dotazione deve essere conforme ai requisiti relativi alle fonti di alimentazione limitata (5 VCC, 2 A).
- Verificare che la spina sia correttamente inserita nella presa di corrente.
- NON collegare più dispositivi allo stesso alimentatore per evitare rischi di surriscaldamento o di incendio da sovraccarico.
- Utilizzare un alimentatore fornito da un produttore qualificato. Fare riferimento alle specifiche del prodotto per i requisiti di alimentazione dettagliati. L'ambiente di utilizzo dell'alimentatore deve essere coerente con quello del dispositivo.

### Batteria

- Utilizzando o sostituendo la batteria in modo errato si possono causare esplosioni. Sostituire la batteria solo con una dello stesso tipo o di tipo equivalente. La batteria è di tipo 18650 con scheda di protezione; le dimensioni della batteria devono essere di 19 mm × 70 mm. La tensione e la capacità nominali sono di 3,6 VCC/3,35 Ah (12,06 Wh). Smaltire le batterie esaurite secondo le istruzioni del produttore.
- Non usare il caricabatterie in dotazione per caricare altri tipi di batterie. Verificare che durante la ricarica non ci siano materiali infiammabili nel raggio di 2 metri dai caricabatterie.
- Se la batteria rimane inutilizzata per lunghi periodi, caricarla completamente ogni sei mesi per garantire una lunga durata. In caso contrario potrebbe subire danni.
- NON collocare la batteria vicino a fonti di calore o fuoco. Evitare la luce diretta del sole.
- NON ingoiare la batteria per evitare ustioni chimiche.
- La batteria non può essere caricata direttamente

con una fonte di alimentazione esterna.

- Il dispositivo non è ricaricabile; utilizzare il caricabatterie in dotazione per caricare la batteria.
- Non utilizzare il dispositivo in ambienti in cui possono essere presenti bambini.
- **ATTENZIONE:** Esiste il rischio di esplosione se la batteria viene sostituita con una di tipo non corretto.
- La sostituzione della batteria con una di tipo non idoneo può impedire il corretto funzionamento dei sistemi di sicurezza (ad esempio con alcuni tipi di batterie al litio).
- Non gettare le batterie nel fuoco o in un forno caldo ed evitare di schiacciarle o tagliarle, per prevenire il rischio di esplosioni.
- Le batterie esposte a temperature ambientali eccessive possono esplodere o perdere liquidi o gas infiammabili.
- Le batterie sottoposte a una pressione atmosferica estremamente bassa possono esplodere o perdere liquidi o gas infiammabili.
- Smaltire le batterie usate seguendo le istruzioni.

### Manutenzione

- Se il prodotto non funziona correttamente, rivolgersi al rivenditore o al centro di assistenza più vicino. Decliniamo qualsiasi responsabilità in relazione a problemi causati da interventi di riparazione o manutenzione non autorizzati.
- Se necessario, pulire delicatamente il dispositivo con un panno pulito imbevuto di una piccola quantità di alcool etilico.
- Se il dispositivo viene utilizzato in un modo non approvato dal produttore la garanzia potrebbe essere annullata.
- Pulire l'obiettivo con un panno morbido e asciutto o con carta per ottiche, per evitare di graffiarlo.

### Ambiente di utilizzo

- Verificare che l'ambiente di utilizzo sia conforme ai requisiti del dispositivo. La temperatura di esercizio deve essere compresa tra -30 °C e 55 °C, l'umidità di funzionamento non deve superare 95% (senza condensa).
- NON esporre il dispositivo ad ambienti estremamente caldi, freddi, polverosi, corrosivi, salino-alcalmi o umidi.
- Questo dispositivo può essere utilizzato in sicurezza solo a un'altitudine inferiore a 2.000 metri sul livello del mare.
- Non installare il dispositivo su superfici soggette a vibrazioni o in luoghi soggetti a impatti, altrimenti può subire danni.
- Non orientare l'obiettivo verso il sole o altre luci intense.

### Emergenza

Se il dispositivo emette fumo, odori o rumori, spegnerlo immediatamente e scollegare il cavo di alimentazione, quindi rivolgersi a un centro di assistenza.

### Laser



Quando si utilizzano apparecchiature laser, non esporre l'obiettivo del dispositivo al raggio laser, che potrebbe bruciarlo. La radiazione laser emessa dal dispositivo può causare lesioni agli occhi, ustioni alla pelle o combustione di sostanze infiammabili. Prima di attivare la luce supplementare verificare che non ci siano persone o sostanze infiammabili davanti all'obiettivo laser. Tenere il dispositivo lontano dalla portata dei bambini.

### Indirizzo del produttore

Stanza 313, unità B, edificio 2, via Danfeng 399, subdistretto Xixing, distretto Binjiang, Hangzhou, Zhejiang, 310052, Cina  
Hangzhou Microimage Software Co., Ltd.

AVVISO SULLA CONFORMITÀ: i prodotti termografici potrebbero essere soggetti a controlli sulle esportazioni in vari Paesi o regioni, tra cui Stati Uniti, Unione europea, Regno Unito e/o altri Paesi membri dell'accordo di Wassenaar.

Consultare un legale o un esperto di conformità o le autorità governative locali per eventuali requisiti di licenza di esportazione necessari se si intende trasferire, esportare, riesportare i prodotti termografici tra diversi Paesi.

**Čeština**



Vzhled výrobku slouží pouze jako reference a může se od skutečného výrobku lišit.

### Stručný popis

Ruční monokulární termokamera je ruční zařízení s funkcemi sledování, hotspotu Wi-Fi, sledování horkých míst, bispektrálního prolnutí snímků, laserovým měřením vzdálenosti atd. Vysoce citlivý vestavěný detektor teploty poskytuje zřetelný obraz i v úplné tmě.

Zařízení se používá především k venkovním aktivitám, jako je lov, hledání a záchrana osob nebo zvířat, turistika a cestování.

Zařízení dokáže zachycovat snímky a zaznamenávat videa a po připojení k telefonu přes hotspot umožňuje nastavování parametrů pomocí aplikace HIKMICRO Sight.

Chcete-li aplikaci HIKMICRO Sight stáhnout, vyhledejte ji v obchodech App Store (systémy iOS) nebo Google Play™ (systémy Android). Můžete ji také stáhnout a nainstalovat naskenováním kódu QR.



Systém Android



Systém iOS

Frekvenční pásma a režimy a jmenovité limity přenášeného výkonu (vyzařovaného nebo vedeného) jsou ve vztahu k tomuto rádiovému zařízení následující:

Wi-Fi 2,4 GHz (2,4 GHz až 2,4835 GHz)	20 dBm
---------------------------------------	--------

### Vzhled (Strana 2 - A)

Ruční monokulární termokamera je dodávána ve dvou typech. Popisy vzhledu těchto dvou typů jsou uvedeny níže. Jako referenci použijte skutečný výrobek.

### Tlačítka a komponenty

Č.	Popis	Funkce
1	Termoobjektiv	Slouží k zobrazení termosnímků.
2	Optický objektiv	Slouží k zobrazení optického snímku.
3	Hledáček laserového dálkoměru	Měření vzdálenosti pomocí laseru.
4	Vypínač	Stisknutí: Slouží k aktivaci pohotovostního režimu nebo k probuzení zařízení. Podržení: Slouží k zapnutí nebo vypnutí.

Č.	Popis	Funkce
5	Tlačítko snímání	Stisknutí: Slouží k zachycení snímku. Podržení: Slouží ke spuštění kalibrace.
6	Tlačítko měření	Stisknutí: měření vzdálenosti pomocí laseru Podržení: snímání
7	Tlačítko nabídky	Stisknutí: Slouží k zobrazení palet. Podržení: Slouží k vyvolání či opuštění nabídky.
8	Kolečko	Slouží k úpravě digitálního zoomu; k volbě funkcí v režimu nabídky.
9	Konektor typu C	Slouží k připojení zařízení pomocí napájecího adaptéru; k připojení zařízení k počítači a k exportu souborů.
10	Okuláry	Slouží k zobrazení cíle a k úpravě dioptrie.
11	Zaostřovací kroužek	Nastavuje zobrazení hledí.
12	Indikátor	Slouží k indikaci zapnutého/vypnutého o režimu zařízení.

### Poznámka:

Současným stisknutím tlačítka měření/snímání a tlačítka nabídky spustíte nebo zastavíte nahrávání.

Současným stisknutím vypínače, tlačítka měření/snímání a tlačítka nabídky přejdete do skryté nabídky.

### Instalace baterie (Strana 4 - B)

#### Kroky

1. Stiskněte a zatlačte na zámek prostoru pro baterii (zobrazeno v černém rámečku), otáčejte krytem baterie proti směru hodinových ručiček, dokud se značky na krytu baterie a zařízení nevyrovnejí, a poté kryt baterie demontujte.
2. Vložte baterii do prostoru pro baterii kladným označením směrem dovnitř.
3. Vyrovnejte značky na krytu baterie a na zařízení a nasadte kryt baterie na baterii.
4. Otočte krytem bateriového prostoru ve směru hodinových ručiček a upevněte jej tak.

### Poznámka:

Pokud nebudete zařízení delší dobu používat, vyjměte baterie.

### Návod k obsluze





## Právní informace

©2022 Hangzhou Microimage Software Co., Ltd.


Všechna práva vyhrazena.

## Informace o tomto návodu

V návodu jsou obsaženy pokyny k používání a obsluze výrobku. Obrázky, schémata, snímky a veškeré ostatní zde uvedené informace slouží pouze jako popis a vysvětlení. Informace obsažené v tomto návodu podléhají vzhledem k aktualizacím firmwaru nebo z jiných důvodů změnám bez upozornění. Nejnovější verzi tohoto návodu naleznete na webových stránkách společnosti HIKMICRO ([www.hikmicrotech.com/](http://www.hikmicrotech.com/)).

Tento návod používejte s vedením a pomocí odborníků vyškolených v oblasti podpory výrobku.

## Ochranné známky

 a ostatní ochranné známky a loga společnosti HIKMICRO jsou vlastnictvím společnosti HIKMICRO v různých jurisdikcích.

Ostatní ochranné známky a loga uvedené v této příručce jsou majetkem příslušných vlastníků.

## PROHLÁŠENÍ O VYLOUČENÍ ODPOVĚDNOSTI

TATO PŘÍRUČKA A POPISOVANÉ PRODUKTY VČETNĚ PŘÍSLUŠNÉHO HARDWARU, SOFTWARE A FIRMWARU JSOU V MAXIMÁLNÍM ROZSAHU PŘÍPUSTNĚM PODLE ZÁKONA POSKYTOVÁNY „JAK STOJÍ A LEŽÍ“, A „SE VŠEMI VADAMI A CHYBAMI“. SPOLEČNOST HIKMICRO NEPOSKYTUJE ŽÁDNÉ VÝSLOVNĚ ANI PŘEDPOKLADANÉ ZÁRUKY ZARNOUJÍCÍ MIMO JINÉ PRODEJNOST, USPOKOJIVOU KVALITU NEBO VHDNOST KE KONKRÉTNÍM ÚČELŮM. POUŽÍVÁNÍ TOHOTO PRODUKTU JE NA VAŠE VLASTNÍ RIZIKO. SPOLEČNOST HIKMICRO V ŽÁDNÉM PŘÍPADĚ NENESE ODPOVĚDNOST ZA JAKÉKOLI ZVLÁŠTNÍ, NÁSLEDNĚ, NÁHODNĚ NEBO NEPŘÍMÉ ŠKODY ZAHNŮJÍCÍ MIMO JINÉ ŠKODY ZE ZTRÁTY OBCHODNÍHO ZISKU, PŘERUŠENÍ OBCHODNÍ ČINNOSTI NEBO ZTRÁTY DAT, POŠKOZENÍ SYSTÉMŮ NEBO ZTRÁTY DOKUMENTACE V SOUVISLOSTI S POUŽÍVÁNÍM TOHOTO VÝROBKU BEZ OHLEDU NA TO, ZDA TAKOVÉ ŠKODY VZNIKLY Z DŮVODU PORUŠENÍ SMLOUVY, OBČANSKOPRÁVNÍHO PŘECHŮVU (VČETNĚ NEDBALOSTI) ČI ODPOVĚDNOSTI ZA PRODUKT, A TO ANI V PŘÍPADĚ, ŽE SPOLEČNOST HIKMICRO BYLA NA MOŽNOST TAKOVÝCHTO ŠKOD NEBO ZTRÁTY UPOZORNĚNA.

BERETE NA VĚDOMÍ, ŽE INTERNET SVOU PODSTATOU PŘEDSTÁVUJE SKRYTÁ BEZPEČNOSTNÍ RIZIKA A SPOLEČNOST HIKMICRO PROTO NEPŘEBÍRÁ ŽÁDNOU ODPOVĚDNOST ZA NESTANDARDNÍ PROVOZNI ČHOVÁNÍ, ÚNIK OSOBNÍCH ÚDAJŮ NEBO JINÉ ŠKODY VYPLYVAJÍCÍ Z KYBERNETICKÉHO ČI HACKERSKÉHO ÚTOKU, NAPADENÍ VIREM NEBO ŠKODY ZPŮSOBENÉ JINÝMI INTERNETOVÝMI BEZPEČNOSTNÍMI RIZIKY; SPOLEČNOST HIKMICRO VŠAK V PŘÍPADĚ POTŘEBY POSKYTNE VČASNOU TECHNICKOU PODPORU. SOUHLASÍTE S TÍM, ŽE TENTO PRODUKT BUDE

POUŽÍVÁN V SOULADU SE VŠEMI PLATNÝMI ZÁKONY A VÝHRADNĚ ODPOVÍDÁTE ZA ZAJIŠTĚNÍ, ŽE VAŠE UŽÍVÁNÍ BUDE V SOULADU S PLATNOU LEGISLATIVOU. ODPOVÍDÁTE ZEJMÉNA ZA POUŽÍVÁNÍ PRODUKTU ZPŮSOBEM, KTERÝ NEPORUŠUJE PRÁVA TŘETÍCH STRAN, COŽ ZAHRNŮJE MIMO JINÉ PRÁVO NA OCHRANU OSOBNOSTI, PRÁVO DŮŠEVNÍHO VLASTNICTVÍ NEBO PRÁVO NA OCHRANU OSOBNÍCH ÚDAJŮ A DALŠÍ PRÁVA NA OCHRANU SOUKROMÍ. TENTO VÝROBEK NESMÍTE POUŽÍVAT K NEZÁKONNĚMU LOVU ZVÍRAŤ, NARUŠENÍ SOUKROMÍ ANI K ŽÁDNÉMU JINÉMU ÚČELU, KTERÝ JE NEZÁKONNÝ NEBO POŠKOŽUJE VĚŘEJNÝ ZÁJEM. TENTO PRODUKT NESMÍTE POUŽÍVAT K JAKÝMKOLI NEPOVOLENÝM KONCOVÝM ÚČELUM VČETNĚ VÝVOJE ČI VÝROBY ZBRANÍ HROMADNĚHO NIČENÍ, VÝVOJE NEBO VÝROBY CHEMICKÝCH ČI BIOLOGICKÝCH ZBRANÍ NEBO JAKÝCHKOLI ČINNOSTI SOUVISEJÍCÍCH S JADERNÝMI VÝBUŠNINAMI NEBO NEBEZPEČNÝM JADERNÝM PALIVOVÝM CYKLEM ČI K PODPOŘE PORUŠOVÁNÍ LIDSKÝCH PRÁV.

V PŘÍPADĚ JAKÉHOKOLI ROZPORU MEZI TÍMTO NÁVODEM A PŘÍSLUŠNÝMI ZÁKONY PLATÍ DRUHÉ ZMÍNĚNÉ.

## Zákonné informace

Tyto části se vztahují pouze k výrobkům nesoucím odpovídající označení nebo informaci.

## EU prohlášení o shodě



Tento výrobek a případně i dodané příslušenství, jsou označeny štítkem „CE“, což znamená, že vyhovují příslušným harmonizovaným evropským normám uvedeným ve směrnici 2014/53/EU (RED), směrnici 2014/30/EU (EMCD), směrnici 2014/35/EU (LVD) a směrnici 2011/65/EU (RoHS).



Směrnice 2012/19/EU (směrnice WEEE): Výrobky označené tímto symbolem nelze v Evropské unii likvidovat společně s netříděným domovním odpadem. Při zakoupení nového ekvivalentního výrobku tento výrobek řádně zrecykujte vrácením svému místnímu dodavateli, nebo jej zlikvidujte odevzdáním v určených sběrných místech. Více informací naleznete na webu: [www.recyclethis.info](http://www.recyclethis.info)



Směrnice 2006/66/ES a její úprava 2013/56/EU (směrnice o bateriích): Tento výrobek obsahuje baterii, kterou nelze v Evropské unii likvidovat společně s netříděným domovním odpadem. Konkrétní informace o baterii naleznete v dokumentaci výrobku. Baterie je označena tímto symbolem, který může obsahovat písmena značící kadmium (Cd), olovo (Pb) nebo rtuť (Hg). Za účelem řádné recyklace baterii odezdejte svému dodavateli nebo na určené sběrné místo. Další informace naleznete na adrese: [www.recyclethis.info](http://www.recyclethis.info).

## Bezpečnostní pokyny

Účelem těchto pokynů je zajistit, aby uživatel mohl výrobek správně používat a zabránilo se nebezpečí nebo újmě na majetku.

## Zákony a předpisy

Zařízení je nutné používat v souladu s místními zákony a předpisy týkajícími se elektrické

bezpečnosti a předpisy pro protipožární ochranu.

### Přeprava

- Při přepravě uchovávejte zařízení v původním nebo jemu podobném balení.
- Po vybalení uchovávejte veškeré obaly pro budoucí použití. V případě jakékoli poruchy je třeba vrátit zařízení výrobci v původním obalu.
- Přeprava bez původního obalu může vést k poškození zařízení, za které společnost neponese odpovědnost.
- Produkt nevystavujte fyzickým nárazům a zabraňte jeho spadnutí. Udržujte zařízení mimo dosah magnetického rušení.

### Napájení

- Vstupní napětí zařízení musí dle standardu IEC61010-1 splňovat požadavky na omezený zdroj napájení (5 V DC, 2 A). Podrobné informace naleznete v technických údajích.
- Nabíječka baterie je součástí balení. Vstupní napětí dodané nabíječky baterie musí splňovat požadavky na omezený zdroj napájení (5 VDC, 2 A).
- Zkontrolujte, zda je zástrčka řádně zapojena do napájecí zásuvky.
- K jednomu napájecímu adaptéru NEPŘIPOJUJTE více zařízení, abyste zabránili přehřátí nebo nebezpečí požáru v důsledku přetížení.
- Používejte napájecí adaptér dodaný kvalifikovaným výrobcem. Podrobné požadavky na napájení naleznete ve specifikaci výrobku. Provozní prostředí adaptéru by mělo odpovídat provoznímu prostředí zařízení.

### Baterie

- Nesprávné používání nebo výměna baterie mohou vést k nebezpečí výbuchu. Baterii nahrazujte pouze stejným nebo odpovídajícím typem. Baterie je typu 18650 s ochrannou deskou. Velikost baterie musí být do 19 x 70 mm. Jmenovité napětí a kapacita jsou 3,6 VDC / 3,35 Ah (12,06 Wh). Použití baterie likvidujte dle pokynů poskytnutých výrobcem baterie.
- Dodanou nabíječkou nenabíjejte jiné typy baterií. Během nabíjení ověřte, zda se v okolí 2 m od nabíječky nenachází hořlavé materiály.
- Při dlouhodobém skladování baterii každého půl roku plně nabijte, abyste zajistili zachování její kvality. V opačném případě může dojít k jejímu poškození.
- NEPOKLÁDEJTE baterii poblíž zdroje tepla nebo ohně. Vyhnete se přímému slunečnímu záření.
- Baterii NEPOLYKEJTE, mohlo by dojít k chemickým popáleninám.
- Baterii nelze nabíjet přímo pomocí externího zdroje napájení.
- Zařízení nelze nabíjet, k nabíjení baterie použijte dodanou nabíječku.
- Toto zařízení není vhodné pro použití v místech, na kterých se mohou vyskytovat děti.
- UPOZORNĚNÍ: Při výměně baterie za nesprávný typ hrozí nebezpečí výbuchu.
- Vyměňte-li baterii za nesprávný typ, může dojít k poškození bezpečnostního prvku (například v případě některých typů lithiových baterií).
- Baterii nevhazujte do ohně, nekládejte do horké trouby, mechanicky ji nedrťte ani neřezejte. Mohlo by dojít k výbuchu.
- Neponechávejte baterii v prostředí s extrémně vysokou teplotou, protože by mohlo dojít k výbuchu nebo úniku hořlavé kapaliny nebo plynu.

- Nevystavujte baterii extrémně nízkému tlaku vzduchu, protože by mohlo dojít k výbuchu nebo úniku hořlavé kapaliny nebo plynu.

- Použité baterie zlikvidujte podle pokynů.

### Údržba

- V případě, že výrobek nefunguje správně, obraťte se na prodejce nebo na nejbližší servisní středisko. Nepřebíráme žádnou odpovědnost za problémy způsobené neoprávněnou opravou nebo údržbou.
  - V případě potřeby zařízení jemně otřete čistým hadříkem navlhčeným malým množstvím etanolu.
  - V případě použití zařízení způsobem jiným než určeným výrobcem může dojít ke zrušení platnosti záruky.
  - Čochy čistěte měkkým suchým hadříkem nebo čistícím papírkem, abyste je nepoškrábali.
- ### Provozní prostředí
- Zajistěte, aby provozní prostředí vyhovovalo požadavkům zařízení. Provozní teplota musí být -30 °C až 55 °C a provozní vlhkost musí být max. 95% nekondenzační.
  - NEVYSTAVUJTE zařízení extrémně horkému, chladnému, prašnému, korozivnímu, slanému/zásaditému nebo vlhkému prostředí.
  - Toto zařízení lze bezpečně používat výhradně v oblasti do 2 000 metrů nadmořské výšky.
  - Neinstalujte zařízení na vibrující povrchy ani do míst vystavených nárazům (jinak může dojít k poškození zařízení).
  - Neměřte objektivem do slunce ani do jiného zdroje jasného světla.

### Stav nouze

Pokud se zařízení vychází kouř, zápach nebo hluk, zařízení okamžitě vypněte, odpojte napájecí kabel a obraťte se na servisní středisko.

### Laser



Používali-li se nějaké laserové zařízení, zjistěte, aby nebyl objektiv zařízení vystaven laserovému paprsku. V opačném případě by se mohl vypálit. Laserové záření vycházející z zařízení může způsobit poranění očí, popálení kůže nebo vzplanutí hořlavých materiálů. Před povolením funkce doplňkového osvětlení se ujistěte, že před laserovým objektivem nestojí žádní lidé, ani se zde nenacházejí žádné hořlavé materiály. Neumísťujte zařízení tam, kde by mohlo upoutat pozornost nedospělých osob.

### Adresa výrobce

Místopis 313, jednotka B, budova 2, ulice Danfeng 399, podobovd Xixing, obvod Binjiang, Hangzhou, Zhejiang 310052, Čína  
Hangzhou Microimage Software Co., Ltd.

**POZNÁMKA O DODRŽOVÁNÍ PŘEDPISŮ:** Na výrobek termální řady se mohou vztahovat vývozní opatření v různých zemích nebo regionech včetně, mimo jiné, Spojených států, Evropské unie, Spojeného království a dalších členských států Wassenarského ujednání. Máte-li v úmyslu přenášet, exportovat nebo opětovně exportovat výrobky termální řady mezi různými zeměmi, obraťte se na profesionálního právníka, odborníka v oblasti dodržování předpisů nebo místní úřady, aby vám sdělili všechny nezbytné licenční požadavky pro export.

## Slovenčina



Vzhľad produktu je len orientačný a môže sa líšiť od skutočného produktu.

### Stručný opis

Ručná tepelná monokulárna kamera je prenosná zariadenie s funkciami pozorovania, prístupového bodu Wi-Fi, aktívneho sledovania, fúzie dvojspektrálneho obrazu, laserového merania vzdialenosti atď. Zabudovaný tepelný detektor s

vysohou citlivosťou poskytujte jasný výhľad aj v úplnej tme.

Toto zariadenie sa používa najmä v exteriéri pri podobných aktivitách ako lov, pátranie a záchrana, turistika a cestovanie.

Zariadenie môže snímať snímky, zaznamenávať videá a nastavovať parametre pomocou aplikácie HIKMICRO Sight po pripojení k telefónu prostredníctvom prístupového bodu.

Vyhľadajte si aplikáciu HIKMICRO Sight v obchode App Store (systém iOS) alebo Google Play™ (systém Android) a stiahnite si ju alebo naskenovaním QR kódu si aplikáciu stiahnite a nainštalujte.



Systém Android



Systém iOS

Frekvenčné pásma a režimy a nominálne limity prenášanej energie (vyžarovanej alebo vedenej), ktoré sa vzťahujú na toto vysielacie zariadenie, sú nasledujúce:

Wi-Fi 2,4 GHz (2,4 GHz až 2,4835 GHz)	20 dBm
---------------------------------------	--------

### Vzhľad (Strana 2 - A)

Existujú dva typy ručných termografických monokulárnych kamier. Ďalej sa uvádza opis vzhľadu týchto dvoch typov. Na referenčné účely použite skutočný výrobok.

### Tlačidlá a súčasti

Číslo	Popis	Funkcia
1	Tepelný objektív	Zobrazenie tepelného obrazu.
2	Optický objektív	Zobrazenie optického obrazu.
3	Laserový diaľkomer	Meranie vzdialenosti pomocou laseru.
4	Kláves napájania	Stlačenie: pohotovostný režim/prebudenie zariadenia Podržanie: zapnutie/vypnutie
5	Kláves snímania	Stlačenie: snímanie Podržanie: kalibrácia spúšte
6	Kláves merania	Stlačenie: meranie vzdialenosti laserom Podržanie: snímanie
7	Kláves ponuky	Stlačenie: farebné palety Podržanie: otvorenie/zatvorenie ponuky
8	Koliesko	Nastavenie digitálneho priblíženia, výber funkcií v režime ponuky.
9	Rozhranie Type-C	Pripojenie zariadenia k napájaciu adaptéru,

Číslo	Popis	Funkcia
		pripojenie zariadenia k počítaču na exportovanie súborov.
10	Okuláre	Zobrazenie cieľa a dioptrické nastavenie.
11	Zaoštrovací krúžok	Úprava pohľadu.
12	Indikátor	Signalizácia zapnutia/vypnutia zariadenia.

### Poznámka:

Súčasným stlačením klávesu merania/snímania a klávesu ponuky spustíte alebo zastavíte nahrávanie.

Súčasným stlačením klávesu napájania, klávesu merania/snímania a klávesu ponuky spustíte skrytú ponuku.

### Inštalácie batérie (Strana 4 - B)

#### Kroky

1. Stlačte a potlačte zámok priestoru na batériu (zobrazený v čiernom rámku), otočte kryt batérie proti smeru hodinových ručičiek, až kým nebudú zarovnané značky na kryte batérie a na zariadení, a potom demontujte kryt batérie.
2. Vložte batérie do priečinka na batérie označením kladnej polarít smerom dovnútra.
3. Zarovnajzte označenia na kryte batérie a na zariadení, potom umiestnite kryt batérie na batériu.
4. Upevnite kryt otočením v smere hodinových ručičiek.

### Poznámka:

Ak nebudete zariadenie dlhšiu dobu používať, vyberte z neho batérie.

### Návod na používanie



### Právne informácie

©2022 Hangzhou Microimage Software Co., Ltd. Všetky práva vyhradené.

### Informácie o tomto návode

Táto príručka obsahuje pokyny na používanie a správu produktu. Obrázky, grafy, nákresy a všetky ďalšie informácie, ktoré sú v ňom uvedené, slúžia len na opis a vysvetlenie.

Informácie uvedené v návode sa môžu zmeniť bez predchádzajúceho upozornenia v dôsledku aktualizácií firmvéru alebo iných príčin. Najnovšiu verziu tejto príručky nájdete na webovej lokalite HIKMICRO ([www.hikmicrotech.com/](http://www.hikmicrotech.com/)).

Používajte tento návod v súlade s pokynmi a radami odborníkov, ktorí sú vyškolení na obsluhu produktu.

### Ochranné známky

a iné ochranné známky a logá spoločnosti HIKMICRO sú vlastníctvom spoločnosti HIKMICRO v rôznych jurisdikciách.

Iné ochranné známky a logá sú vlastníctvom príslušných majiteľov.

### ODMIETNUTIE ZODPOVEDNOSTI

V MAXIMÁLNO M ŽOŽNAHU, KTORÝ

POVOĽUJÚ PRÍSLUŠNÉ PRÁVNE PREDPISY, SA TÁTO PRÍRUKA A OPÍSANÝ PRODUKT SPOLU S JEHO HARDVEROM, SOFTVEROM A FIRMVEROM, DODÁVAJÚ V STAVĚ „AKO SÚ“ A „SO VŠETKÝMI PORUCHAMI A CHYBAMI“ SPOLOČNOSŤ HIKMICRO NEPOSKYTUJE ŽIADNE VÝSLOVNÉ ANI PREDPOKLADANÉ ŽÁRUKY, OKREM INÉHO O PREDAJNOSTI, USPOKOJIVEJ KVALITE ALEBO VHODNOSTI NA KONKRÉTNY ÚČEL. POUŽÍVANIE PRODUKTU JE NA VAŠE VLASTNÉ RIZIKO. SPOLOČNOSŤ HIKMICRO V ŽIADNOM PRÍPADE NENESIE ZODPOVEDNOSŤ ZA ŽIADNE OSOBITNÉ, NÁSLEDNÉ, NÁHODNÉ ALEBO NEPRIAME ŠKODY, OKREM INÉHO VRÁTANE ŠKÔD Z UŠŤOHO PODNIKATEĽSKÉHO ZISKU, PRERUŠENIA PODNIKANIA, STRATY ÚDAJOV, POŠKODENIA SYSTÉMOV ALEBO STRATY DOKUMENTÁCIE, ČI UŽ NA ZÁKLADE PORUŠENIA ZMLUVY, PREČINU (VRÁTANE NEDBALOSTI), ZODPOVEDNOSTI ZA PRODUKT ALEBO INAK V SÚVISLOSTI S POUŽÍVANÍM PRODUKTU, A TO ANI V PRÍPADE, AK BOĽA SPOLOČNOSŤ HIKMICRO UPOZORNENÁ NA MOŽNOSŤ TAKÝCHTO ŠKÔD.

UZŇAVÁTE, ŽE Z POVAHY INTERNETU VYPLÝVAJÚ INHERENTNÉ BEZPEČNOSTNÉ RIZIKÁ A SPOLOČNOSŤ HIKMICRO NENESIE ŽIADNU ZODPOVEDNOSŤ ZA NESTANDARDNÚ PREVÁDZKU, ÚNIK OSOBNÝCH ÚDAJOV ANI ZA INÉ ŠKODY V DÔSLEDKU KYBERNETICKÉHO ÚTOKU, HAKERSKÉHO ÚTOKU, VÍRUSOVEJ INFEKČIE ALEBO INÝCH BEZPEČNOSTNÝCH RIZÍK SIETE INTERNET; V PRÍPADE POTREBY VŠAK SPOLOČNOSŤ HIKMICRO POSKYTNE VČASNÚ TECHNICKÚ PODPORU.

SÚHLASÍTE S POUŽÍVANÍM TOHTO PRODUKTU V SÚLADE SO VŠETKÝMI PRÍSLUŠNÝMI ZÁKONMI A NESIETE VÝHRADNÚ ZODPOVEDNOSŤ ZA ZABEZPEČENIE, ABY VAŠE POUŽÍVANIE BOĽO V SÚLADE S PRÍSLUŠNÝMI ZÁKONMI. STE OBVZÁŠŤ ZODPOVEDNÍ ZA POUŽÍVANIE TOHTO PRODUKTU SPÔSOBOM, KTORÝ NEPORUŠUJE PRÁVA TRETÍCH STRÁN, OKREM INÉHO PRÁVA PUBLICITY, PRÁVA DUŠEVNÉHO VLASTNÍCTVA, PRÁVA NA OCHRANU ÚDAJOV A INÉ PRÁVA NA OCHRANU SÚKROMIA. TENTO PRODUKT NESMIETE POUŽÍVAŤ NA NEZÁKONNÝ LOV ZVIERAT, NARUŠOVANIE SÚKROMIA INÝCH, ANI NA ŽIADNY INÝ ÚČEL, KTORÝ JE NEZÁKONNÝ ALEBO POŠKODZUJE VEREJNÝ ZÁUJEM. TENTO PRODUKT NESMIETE POUŽÍVAŤ NA ŽIADNE ZAKÁZANÉ ÚČELY VRÁTANE VÝVOJA ALEBO VÝROBY ZBRANÍ HROMADNÉHO NIČENIA, VÝVOJA ALEBO VÝROBY CHEMICKÝCH ALEBO BIOLOGICKÝCH ZBRANÍ, AKÝCHKOLIEK AKTIVÍ V SÚVISLOSTI S AKOUKOLIEK JADROVOU VÝBUŠNINOU ALEBO NEBEZPEČNÝM CYKLOM JADROVÉHO PALIVA, ALEBO NA PODPORU ZNEUŽÍVANIA ĽUDSKÝCH PRÁV. V PRÍPADE AKÉHOKOLIEK NESÚĽADU MEDZI TOUTO PRÍRUKOU A PRÍSLUŠNÝMI PRÁVNÝMI PREDPISMI MAJÚ PREDNOSŤ PRÍSLUŠNÉ PRÁVNE PREDPISY.

## Regulačné informácie

Tieto ustanovenia platia len pre produkty s príslušným označením alebo údajom.

## Vyhlasenie o súlade s predpismi EÚ



Tento produkt ako aj prípadne dodané príslušenstvo sú označené značkou „CE“ a sú teda v súlade s príslušnými harmonizovanými európskymi normami uvedenými v nariadení 2014/53/EU (RED), nariadení 2014/30/EU (EMCD), nariadení 2014/35/EU (LVD) a nariadení 2011/65/EU (RoHS).



Smernica 2012/19/EU (smernica o odpade z elektrických a elektronických zariadení): Produkty označené týmto symbolom sa v rámci Európskej únie nesmú likvidovať spolu s netriedeným komunálnym odpadom. Po zakúpení ekvivalentného nového zariadenia zrecyklujte produkt tým, že ho odovzdáte miestnemu dodávateľovi alebo ho zlikvidujete na určených zberných miestach. Ďalšie informácie nájdete na lokalite: [www.recyclethis.info](http://www.recyclethis.info)



Smernica 2006/66/EC a príslušné doplnenia 2013/56/EU (smernica o batériách): Tento produkt obsahuje batériu, ktorá sa v rámci Európskej únie nesmie likvidovať spolu s netriedeným komunálnym odpadom. Konkrétne informácie o batérii nájdete v dokumentácii produktu. Batéria je označená týmto symbolom, ktorý môže obsahovať písmená označujúce obsah kadmia (Cd), olova (Pb) alebo ortuti (Hg). Zrecyklujte batériu tým, že ju odovzdáte dodávateľovi alebo ju zlikvidujete na určenom zbernom mieste. Ďalšie informácie nájdete na: [www.recyclethis.info](http://www.recyclethis.info).

## Bezpečnostné pokyny

Tieto pokyny slúžia na zabezpečenie správneho používania produktu používateľom s cieľom predchádzať vzniku nebezpečenstva alebo majetkovým stratám.

## Právne predpisy a nariadenia

Zariadenie by sa malo používať v súlade s miestnymi zákonmi, predpismi o elektrickej bezpečnosti a protipožiarnymi predpismi.

## Preprava

- Pri preprave ponechajte zariadenie v pôvodnom alebo podobnom balení.
- Po rozbalení si všetky obaly odložte na budúce použitie. V prípade výskytu poruchy bude potrebné, aby ste zariadenie vrátili do výrobcovi v pôvodnom obale.
- Pri preprave bez pôvodného obalu môže dôjsť k poškodeniu zariadenia a spoločnosť za to nebude niesť žiadnu zodpovednosť.
- Chráňte zariadenie pred pádom alebo nárazom. Zariadenie chráňte pred magnetickým rušením.

## Zdroj napájania

- Vstupné napätie zariadenia by malo spĺňať podmienky veľmi nízkeho napätia (5 V jednosmerný prúd, 2 A) podľa normy IEC61010-1. Podrobné informácie nájdete v technických špecifikáciách.
- Nabíjačka batérií je súčasťou balenia. Vstupné napätie dodávanej nabíjačky batérií musí spĺňať podmienky obmedzeného zdroja napájania (5 V jednosmerný prúd, 2 A).
- Skontrolujte, či je zástrčka správne pripojená k napájacej zásuvke.
- K jednému napájacímu adaptéru NEPRIPÁJAJTE viacero zariadení, aby nedošlo k prehriatiu alebo riziku požiaru v dôsledku preťaženia.
- Používajte napájací adaptér dodaný oprávneným výrobcom. Podrobné požiadavky na napájanie nájdete v špecifikácii výrobku. Prevádzkové prostredie adaptéra sa musí zhodovať s prostredím pre zariadenie.

## Batéria

- Nesprávne používanie alebo výmena batérie môžu viesť k nebezpečenstvu výbuchu. Batériu nahrádzajte iba rovnakým alebo ekvivalentným typom. Typ batérie je 18650 s ochranným panelom a veľkosť batérie musí byť 19 mm × 70 mm. Menovité napätie a kapacita sú 3,6 V jednosmerný prúd/3,35 Ah (12,06 Wh). Použitie batérie zlikvidujte podľa pokynov výrobcu batérie.
- S dodanou nabíjačkou nenabíjajte iné typy batérií. Počas nabíjania skontrolujte, či sa do 2 m od nabíjačky nenachádza žiadny horľavý materiál.
- Pri dlhodobom uskladnení batériu každý polrok úplne nabite, čím zaistíte jej kvalitu. V opačnom prípade môže dôjsť k poškodeniu.
- Batériu NEDAVAJTE do blízkosti zdrojov tepla alebo ohňa. Vyvarujte sa priameho slnečného žiarenia.
- Batériu NEPREHŤTAJTE, aby nedošlo k popáleniu chemikáliami.
- Batériu nie je možné priamo nabíjať externým zdrojom napájania.
- Zariadenie nie je možné nabíjať. Na nabítenie batérie použite nabíjačku, ktorá je súčasťou balenia.
- Toto zariadenie nie je vhodné na používanie na miestach, na ktorých sa môžu vyskytovať deti.
- VÝSTRAHA: Riziko výbuchu v prípade výmeny batérie za nesprávny typ.
- Pri nevhodnej výmene batérie za nesprávny typ sa môže deaktivovať bezpečnostný prvok (napríklad pri niektorých typoch lítiových batérií).
- Batériu nekladajte do ohňa alebo horúcej rúry ani ju mechanicky nedrte ani nerezte, pretože by to mohlo spôsobiť výbuch.
- Batériu nenechávajte v prostredí s mimoriadne vysokou teplotou, čo môže viesť k výbuchu alebo úniku horľavých kvapalín alebo plynov.
- Batériu nevystavujte mimoriadne nízkemu tlaku vzduchu, čo môže viesť k výbuchu alebo úniku horľavých kvapalín alebo plynov.
- Použitie batérie zlikvidujte podľa príslušných pokynov.

#### Údržba

- Ak produkt nepracuje správne, obráťte sa na predajcu alebo na najbližšie servisné stredisko. Nepreberáme žiadnu zodpovednosť za problémy spôsobené neoprávnenou opravou alebo údržbou.
- V prípade potreby zariadenie jemne utrite čistou handričkou a malým množstvom etanolu.
- Ak sa zariadenie používa spôsobom, ktorý



Rysunki przedstawiające wygląd produktu służą wyłącznie do celów referencyjnych i mogą różnić się od rzeczywistego wyglądu urządzenia.

#### Opis urządzenia

Ręczna jednookularowa kamera termowizyjna umożliwiająca między innymi obserwację, śledzenie celów o najwyższej temperaturze, skalanie obrazu z dwóch zakresów częstotliwości (optycznego i termowizyjnego), lub laserowy pomiar odległości oraz może pełnić funkcję punktu dostępu Wi-Fi. Wbudowany detektor termiczny o dużej czułości zapewnia wyraźny widok nawet przy braku oświetlenia w otoczeniu.

Urządzenie jest zazwyczaj używane poza budynkami, na przykład podczas polowań, akcji poszukiwawczych lub ratowniczych, turystyki pieszej albo podróży.

Urządzenie umożliwia wykonywanie zdjęć,

wyrobca neuvádza, môže dôjsť k zníženiu ochrany poskytovanej zariadením.

- Objektiv čistite mäkkou a suchou tkaninou alebo papierovým obrúskom, aby sa nepoškriabal.

#### Prevádzkové prostredie

- Zabezpečte, aby prevádzkové prostredie spĺňalo požiadavky zariadenia. Prevádzková teplota musí byť  $-30\text{ }^{\circ}\text{C}$  až  $55\text{ }^{\circ}\text{C}$  ( $-22\text{ }^{\circ}\text{F}$  až  $131\text{ }^{\circ}\text{F}$ ) a prevádzková vlhkosť nesmie byť vyššia ako 95 %, bez kondenzácie.
- Zariadenie NEVYSTAVUJTE extrémne horúcemu, chladnému, prašnému, korozívnemu, slanému alebo alkalickému alebo vlhkému prostrediu.
- Nemontujte zariadenie na povrchy, ktoré vibrujú, ani na miesta vystavené nárazom (zanedbanie môže spôsobiť poškodenie zariadenia).
- Soľovkou NEMIERTE na slnko ani na žiadny iný silný zdroj svetla.

#### Núdzový režim

- Ak zo zariadenia vychádza dym, zápach alebo hluk, ihneď vypnite napájanie, odpojte napájací kábel a obráťte sa na servisné stredisko.

#### Laser



Pri používaní akéhokoľvek laserového vybavenia zabezpečte, aby objektív zariadenia nebol vystavený laserovému lúču, inak sa môže vypáliť. Laserové žiarenie vysielané zo zariadenia môže spôsobiť zranenie očí, popálenie pokožky alebo zapálenie horľavých látok. Pred zapnutím funkcie dodatočného osvetlenia skontrolujte, či sa pred laserovou soľovkou nenachádza žiadna osoba ani horľavá látka. Zariadenie uchovávajte mimo dosahu detí.

#### Adresa výrobcu

Miestnosť 313, Kridlo B, Budova 2, Ulica Danfeng 399, Obvod Xixing, Okres Binjiang, Hangzhou, Zhejiang 310052, Čína  
Hangzhou Microimage Software Co., Ltd.

**POZNÁMKA O SÚLADE S PREDPISMI:** Produkty z radu teplocitlivých prístrojov môžu podliehať exportnej regulácii v rôznych krajinách alebo regiónoch vrátane napríklad Spojených štátov amerických, Európskej únie, Spojeného kráľovstva prípadne aj krajín Wassenarskeho usporiadania. Ak máte v úmysle prenášať, exportovať alebo re-exportovať produkty z radu teplocitlivých prístrojov cez hranice medzi rôznymi krajinami, poraďte sa so svojim odborným expertom na legislatívu alebo súlad s predpismi alebo miestnymi úradmi verejnej správy, či existuje povinnosť mať exportné povolenie.

**Polski**

nagrywanie wideo i konfigurowanie ustawień przy użyciu aplikacji HIKMICRO Sight po połączeniu z telefonem przy użyciu punktu dostępu.

Aby pobrać i zainstalować tę aplikację, wyszukaj „HIKMICRO Sight” w witrynie internetowej App Store (system iOS) lub Google Play™ (system Android) albo zeskanuj kod QR.



System Android



System iOS

Pasma i tryby częstotliwości oraz dopuszczalne wartości graniczne znamionowej mocy promieniowanej (transmisja i/lub przewodzenie)

tego urządzenia radiowego są następujące:

Wi-Fi 2,4 GHz (2,400 – 2,4835 GHz)	20 dBm
---------------------------------------	--------

### Elementy urządzenia (str. 2 – A)

Dostępne są dwa modele ręcznych jednookularowych kamer termowizyjnych. Poniżej opisano elementy dwóch modeli.

Skorzystaj z dokumentacji danego produktu.

### Przyciski i podzespoły

Nr	Opis	Funkcja
1	Obiektyw termowizyjny	Wyświetlanie obrazu w podczzerwieni.
2	Obiektyw optyczny	Wyświetlanie obrazu w świetle widzialnym.
3	Dalmierz laserowy	Pomiar odległości przy użyciu lasera
4	Przycisk zasilania	Naciśnięcie: tryb gotowości / uaktywnianie urządzenia Naciśnięcie i przytrzymanie: włączanie/wyłączenie zasilania
5	Przycisk kamery	Naciśnięcie: wykonywanie zdjęć Naciśnięcie i przytrzymanie: kalibracja
6	Przycisk pomiarów	Naciśnięcie: pomiar odległości przy użyciu lasera Naciśnięcie i przytrzymanie: wykonanie zdjęcia
7	Przycisk menu	Naciśnięcie: palety Naciśnięcie i przytrzymanie: wyświetlenie/ukrycie menu
8	Pokrętło	Regulacja powiększenia cyfrowego, wybieranie funkcji w menu
9	Złącze Type-C	Podłączanie zasilacza do urządzenia, podłączanie urządzenia do komputera w celu eksportowania plików
10	Okular	Obserwacja celu, pokrętło regulacji dioptryjnej
11	Pierścień regulacji ostrości	Dostosowanie widoku.
12	Wskaźnik	Sygnalizowanie trybu włączenia/wyłączenia a urządzenia.

### Uwaga:

Aby rozpocząć lub zatrzymać nagrywanie, należy nacisnąć równocześnie przyciski pomiaru/kamery i menu.

Aby wyświetlić ukryte menu, należy nacisnąć

równocześnie przyciski zasilania, pomiaru/kamery i menu.

### Instalowanie baterii (str. 4 – B)

#### Procedura

1. Naciśnij i przesun blokadę pokrywy baterii (wyróżniona czarną ramką), obróć pokrywę przeciwnie do kierunku ruchu wskazówek zegara, tak aby znaczniki na pokrywie były ustawione zgodnie ze znacznikami na urządzeniu, a następnie odłącz pokrywę.
2. Umieść baterię w zasobniku, tak aby biegun dodani był skierowany do wnętrza urządzenia.
3. Ustaw znaczniki na pokrywie baterii zgodnie ze znacznikami na urządzeniu, a następnie zamocuj pokrywę.
4. Obróć pokrywę baterii zgodnie z kierunkiem ruchu wskazówek zegara, aby ją przymocować.

### Uwaga:

Jeżeli urządzenie nie będzie używane przez dłuższy czas, należy wyjąć z niego baterie.

### Podręcznik użytkownika



### Informacje prawne

©2022 Hangzhou Microimage Software Co., Ltd.  
Wszelkie prawa zastrzeżone.

#### Opis podręcznika

Podręcznik zawiera instrukcje dotyczące korzystania z produktu i obchodzenia się z nim. Zdjęcia, rysunki, wykresy i pozostałe informacje zamieszczone w tym dokumencie wyłącznie dla celów informacyjnych i opisowych.

Informacje zamieszczone w podręczniku mogą ulec zmianie bez powiadomienia w związku z aktualizacjami oprogramowania układowego lub w innych okolicznościach. Najnowsza wersja tego podręcznika jest dostępna w witrynie internetowej firmy HIKMICRO ([www.hikmicrotech.com](http://www.hikmicrotech.com)).

Oprócz tego podręcznika należy korzystać z porad specjalistów z działu pomocy technicznej związanej z produktem.

#### Znaki towarowe

HIKMICRO i inne znaki towarowe oraz logo HIKMICRO są własnością firmy HIKMICRO w różnych jurysdykcjach.

Inne znaki towarowe i logo użyte w podręczniku należą do odpowiednich właścicieli.

#### ZASTRZEŻENIA PRAWNE

W PEŁNYM ZAKRESIE DOZWOLONYM PRZEZ OBOWIĄZUJĄCE PRAWO TEN PODRĘCZNIK, OPISANY PRODUKT I ZWIĄZANE Z NIM WYPOSAŻENIE ORAZ OPROGRAMOWANIE APLIKACYJNE I UKŁADOWE SĄ UDOSTĘPNIANE BEZ GWARANCJI. FIRMA HIKMICRO NIE UDZIELA ŻADNYCH WYRAŻNYCH ANI DOROZUMIANYCH GWARANCJI, TAKICH JAK GWARANCJE DOTYCZĄCE PRZYDATNOŚCI HANDLOWEJ, JAKOŚCI LUB PRZYDATNOŚCI DO OKREŚLONEGO CELU. UŻYTKOWNIK KORZYSTA Z PRODUKTU NA WŁASNE RYZYKO. NIEZALEŻNIE OD OKOLICZNOŚCI FIRMA HIKMICRO NIE PONOSI ODPOWIEDZIALNOŚCI ZA STRATY



SPECJALNE, NASTĘPCZE, UBOCZNE LUB POŚREDNIE, TAKIE JAK STRATA OCZEKIWANYCH ZYSKÓW Z DZIAŁALNOŚCI BIZNESOWEJ, PRZERWY W DZIAŁALNOŚCI BIZNESOWEJ, USZKODZENIE SYSTEMÓW ALBO STRATA DANYCH LUB DOKUMENTACJI, WYNIKAJĄCE Z NARUSZENIA UMOWY, PRZEWIENIENIA (ŁĄCZNIE Z ZANIEDBANANIEM), ODPOWIEDZIALNOŚCI ZA PRODUKT LUB INNYCH OKOLICZNOŚCI, ZWIĄZANE Z UŻYCIEM TEGO PRODUKTU, NAWET JEŻELI FIRMA HIKMICRO ZOSTAŁA POINFORMOWANA O MOŻLIWOŚCI WYSTĄPIENIA TAKICH SZKÓD LUB STRAT.

UŻYTKOWNIK PRZYJMUJE DO WIADOMOŚCI, ŻE KORZYSTANIE Z INTERNETU JEST ZWIĄZANE Z ZAGROZENIAMI DLA BEZPIECZEŃSTWA, A FIRMA HIKMICRO NIE PONOSI ODPOWIEDZIALNOŚCI ZA NIEPRAWIDŁOWE FUNKCJONOWANIE, WYCIEK POUFNYCH INFORMACJI LUB INNE SZKODY WYNIKAJĄCE Z ATAKU CYBERNETYCZNEGO, ATAKU HAKERA, DZIAŁANIA WIRUSÓW LUB INNYCH ZAGROZEŃ DLA BEZPIECZEŃSTWA W INTERNECIE. FIRMA HIKMICRO ZAPEWNI JEDNAK TERMINOWĄ POMOC TECHNICZNA, JEŻELI BĘDZIE TO WYMAGANE.


UŻYTKOWNIK ZOBOWIĄZUJE SIĘ DO KORZYSTANIA Z PRODUKTU ZGODNIE Z PRZEPISAMI I PRZYJMUJE DO WIADOMOŚCI, ŻE JEST ZOBOWIĄZANY DO ZAPEWNIENIA ZGODNOŚCI UŻYCIA PRODUKTU Z PRZEPISAMI. W SZCZEGÓLNOŚCI UŻYTKOWNIK JEST ZOBOWIĄZANY DO KORZYSTANIA Z PRODUKTU W SPOBÓD, KTÓRY NIE NARUSZA PRAW STRON TRZECICH, DOTYCZĄCYCH NA PRZYKŁAD WIZERUNKU KOMERCYJNEGO, WŁASNOŚCI INTELEKTUALNEJ LUB OCHRONY DANYCH I PRYWATNOŚCI. ZABRONIONE JEST UŻYCIE TEGO PRODUKTU DO NIELEGALNEGO POLOWANIA NA ZWIERZĘTA, W SPOBÓD NARUSZAJĄCY PRYWATNOŚĆ OSÓB ALBO DO INNYCH CEŁÓW UZNAWANYCH ZA NIELEGALNE LUB SZKODLIWE DLA LUDZI. UŻYTKOWNIK NIE BĘDZIE UŻYWAĆ PRODUKTU DO CEŁÓW ZABRONIONYCH, TAKICH JAK OPRACOWANIE LUB PRODUKCJA BRONI MASOWEJ RAŻENIA ALBO BRONI CHEMICZNEJ LUB BIOLOGICZNEJ ORAZ DZIAŁANIA ZWIĄZANE Z WYBUCHOWYMI MATERIAŁAMI NUKLEARNYMI, NIEBEZPIECZNYM CYKLEM PALIWOWYM LUB ŁAMANIEM PRAW CZŁOWIEKA.

W PRZYPADKU NIEZGODNOŚCI NINIEJSZEGO PODRĘCZNIKA Z OBOWIĄZUJĄCYM PRAWEM, WYŻSZY PRIORYTET BĘDZIE MIAŁO OBOWIĄZUJĄCE PRAWO.

### Informacje dotyczące przepisów

Te klauzule dotyczą tylko produktów z odpowiednimi oznaczeniami lub etykietami.

### Deklaracja zgodności z dyrektywami Unii Europejskiej

 Ten produkt i ewentualnie dostarczone razem z nim akcesoria oznaczone symbolem „CE” potwierdzającym zgodność z odpowiednimi ujednoliconymi normami europejskimi, uwzględnionymi w dyrektywie 2014/53/EU w sprawie udostępniania na rynku urządzeń radiowych (RED), dyrektywie 2014/30/EU dotyczącej

kompatybilności elektromagnetycznej (EMCD), dyrektywie 2014/35/EU dotyczącej sprzętu elektrycznego przewidzianego do stosowania w określonych granicach napięcia (LVD) i dyrektywie 2011/65/EU w sprawie ograniczenia stosowania niektórych niebezpiecznych substancji w sprzęcie elektrycznym (RoHS).



Dyrektywa 2012/19/EU w sprawie zużytego sprzętu elektrycznego i elektronicznego (WEEE):

Produktów oznaczonych tym symbolem nie wolno utylizować na obszarze Unii Europejskiej jako niesegregowane odpady komunalne. Aby zapewnić prawidłowy recykling tego produktu, należy zwrócić go do lokalnego dostawcy przy zakupie równoważnego nowego urządzenia lub utylizować go w wyznaczonym punkcie selektywnej zbiórki odpadów. Aby uzyskać więcej informacji, skorzystaj z następującej witryny internetowej: [www.recyclethis.info](http://www.recyclethis.info)



Dyrektywa 2006/66/EC w sprawie baterii i akumulatorów i zmieniająca ją dyrektywa 2013/56/EU: Ten produkt zawiera baterię, której nie wolno utylizować na obszarze

Unii Europejskiej jako niesegregowane odpady komunalne. Szczegółowe informacje dotyczące baterii zamieszczone w dokumentacji produktu. Bateria jest oznaczona tym symbolem, który może także zawierać litery wskazujące na zawartość kadmu (Cd), ołowiu (Pb) lub rtęci (Hg). Aby zapewnić prawidłowy recykling baterii, należy zwrócić ją do dostawcy lub przekazać do wyznaczonego punktu zbiórki. Aby uzyskać więcej informacji, skorzystaj z witryny internetowej [www.recyclethis.info](http://www.recyclethis.info).

### Zalecenia dotyczące bezpieczeństwa

Te zalecenia pozwalają prawidłowo korzystać z produktu i zapobiec zagrożeniu użytkowników lub zniszczeniu wyposażenia.

### Przepisy i rozporządzenia

Urządzenie powinno być użytkowane zgodnie z lokalnymi przepisami, rozporządzeniami dotyczącymi korzystania z wyposażenia elektrycznego i przepisami przeciwpożarowymi.

### Transport

- Podczas transportu urządzenie powinno być umieszczone w oryginalnym lub podobnym opakowaniu.
- Należy zachować opakowanie urządzenia. W przypadku wystąpienia usterki urządzenia należy zwrócić je do zakładu produkcyjnego w oryginalnym opakowaniu.
- Producent nie ponosi odpowiedzialności za uszkodzenie urządzenia na skutek transportu bez oryginalnego opakowania.
- Należy chronić urządzenie przed upadkiem lub uderami mechanicznymi. Należy chronić urządzenie przed zakłóceniami magnetycznymi.

### Zasilanie

- Napięcie wejściowe dla urządzenia powinno spełniać wymagania dotyczące źródeł zasilania z własnym ograniczeniem (LPS, 5 V DC, 2 A) zgodnie z normą IEC61010-1. Szczegółowe informacje zamieszczone w sekcji zawierającej dane techniczne.
- Ładowarkę baterii uwzględniono w pakiecie z produktem. Napięcie wejściowe dla ładowarki baterii, dostarczonej razem z urządzeniem, powinno być zgodne z wymaganiami dotyczącymi źródeł zasilania z własnym ograniczeniem (LPS, Limited Power Source) (5 V DC / 2 A).
- Należy upewnić się, że wtyczka jest prawidłowo

podłączona do gniazda sieci elektrycznej.

- NIE wolno podłączać wielu urządzeń do jednego zasilacza, ponieważ może to spowodować przegrzanie lub zagrożenie pożarowe na skutek przeciążenia.
- Należy korzystać z zasilacza dostarczonego przez wykwalifikowanego producenta. Aby uzyskać więcej informacji dotyczących wymaganego zasilania, należy skorzystać ze specyfikacji produktu. Warunki otoczenia zalecane dla zasilacza powinny być zgodne ze specyfikacjami urządzenia.

#### **Bateria**

- Nieprawidłowe użycie lub wymiana baterii może spowodować wybuch. Baterie należy wymieniać tylko na baterie tego samego typu lub ich odpowiedniki. Wymagana jest bateria typu 18650 z płytą zabezpieczającą o wymiarach 19 mm x 70 mm, napięciu znamionowym 3,6 V DC i pojemności 3,35 Ah (12,06 Wh). Zużyte baterie należy utylizować zgodnie z zaleceniami producenta.
- Nie wolno ładować baterii innego typu przy użyciu ładowarki dostarczonej razem z urządzeniem. Należy upewnić się, że żadne palne materiały nie znajdują się w promieniu dwóch metrów od ładowarki podczas ładowania.
- Jeżeli bateria jest przechowywana przez dłuższy czas, należy naładować ją całkowicie co pół roku, aby zapewnić jej prawidłowy stan techniczny. Ignorowanie tego zalecenia może spowodować uszkodzenie.
- NIE wolno umieszczać baterii w pobliżu źródeł ciepła lub ognia. Należy chronić urządzenie przed bezpośrednim światłem słonecznym.
- NIE wolno dotykać baterii, ponieważ może to spowodować oparzenia chemiczne.
- Nie można ładować baterii bezpośrednio z zewnętrznego źródła zasilania.
- Nie można ładować baterii zainstalowanej w urządzeniu. Należy ładować baterię przy użyciu ładowarki dostarczonej razem z urządzeniem.
- Urządzenie nie powinno być używane w lokalizacjach, w których mogą przebywać dzieci.
- PRZESTROGA: Zainstalowanie nieodpowiedniej baterii może spowodować wybuch.
- Zainstalowanie nieodpowiedniej baterii może spowodować zagrożenie (dotyczy to na przykład niektórych baterii litowych).
- Wrzucenie baterii do ognia lub rozgrzanego pieca albo zgniecenie lub przecięcie baterii może spowodować wybuch.
- Wysoka temperatura w otoczeniu może spowodować wybuch baterii albo wyciek palnej cieczy lub gazu.
- Ekstremalnie niskie ciśnienie powietrza w otoczeniu może spowodować wybuch baterii albo wyciek palnej cieczy lub gazu.
- Zużyte baterie należy utylizować zgodnie z instrukcjami.

#### **Konserwacja**

- Jeżeli produkt nie działa prawidłowo, skontaktuj się z dystrybutorem lub najbliższym centrum serwisowym. Producent nie ponosi odpowiedzialności za problemy spowodowane

przez nieautoryzowane prace naprawcze lub konserwacyjne.

- Należy przetrześć urządzenie ostrożnie czystą ściereczką zwilżoną niewielką ilością etanolu, jeżeli jest to konieczne.
- Użycie urządzenia niezgodnie z zaleceniami może spowodować anulowanie gwarancji producenta.
- Należy oczyścić obiektyw miękką, suchą ściereczką lub specjalnym papierem, który nie powoduje zarysowania.

#### **Warunki otoczenia**

- Należy upewnić się, że warunki otoczenia spełniają wymagania określone przez producenta urządzenia. Podczas użytkowania urządzenia temperatura otoczenia powinna wynosić od -30°C do +55°C, a wilgotność nie powinna przekraczać 95% (bez kondensacji).
- NIE wolno narażać urządzenia na ekstremalnie wysokie lub niskie temperatury, kurz, substancje korozyjne, roztwory soli, zasady lub wilgoc.
- Nie wolno instalować urządzenia w lokalizacjach, w których występują wibracje lub udary mechaniczne (ignorowanie tego zalecenia może spowodować uszkodzenie wyposażenia).
- Nie wolno kierować obiektywem w stronę słońca lub innego źródła intensywnego światła.

#### **Powazne awarie**

Jeżeli urządzenie wydziela dym lub intensywny zapach albo emituje hałas, należy niezwłocznie wyłączyć zasilanie i odłączyć przewód zasilający, a następnie skontaktować się z centrum serwisowym.

#### **Laser**



Jeżeli używane jest wyposażenie laserowe, należy upewnić się, że obiektyw urządzenia nie jest oświetlany przez wiązkę lasera, ponieważ może to spowodować jego spalanie. Promieniowanie laserowe emitowane przez urządzenie może spowodować zranienie oczu, oparzenie skóry lub zapłon substancji palnych. Przed włączeniem oświetlenia pomocniczego należy upewnić się, że żadne osoby lub substancje palne nie znajdują się na ścieżce wiązki laserowej. Nie wolno umieszczać urządzenia w miejscu dostępnym dla dzieci.

#### **Adres producenta**

Lokal 313, Jednostka B, Budynek 2, Ulica 399 Danfeng, Region dystryktu Xixing, Dystrykt Binjiang, Hangzhou, Zhejiang 310052, Chiny Hangzhou Microimage Software Co., Ltd.

#### **UWAGA DOTYCZĄCA ZGODNOŚCI Z PRZEPISAMI:**

Produkty termowizyjne mogą podlegać kontroli eksportu w różnych krajach lub regionach, takich jak Stany Zjednoczone, Wielka Brytania lub kraje członkowskie Unii Europejskiej, które sygnowały porozumienie Wassenaar. Jeżeli planowane jest przesyłanie, eksportowanie lub reeksportowanie produktów termowizyjnych przez granice państw, należy skonsultować się z ekspertem w dziedzinie prawa lub zgodności z przepisami albo lokalnymi urzędami administracji państwowej, aby uzyskać informacje dotyczące wymaganej licencji eksportowej.

**Magyar**



A termék megjelenése csak tájékoztató jellegű, és eltérhet a tényleges terméktől.

#### **Rövid leírás**

A monokuláris kézi hőkamera egy kézi eszköz, amely használható megfigyelésre, Wifi hotspotként, két spektrumú fúziós kép-alkotáshoz,

a legmagasabb hőmérsékletű céltárgy követésére, távolságmérésre, stb. A nagy érzékenységű, beépített hődetektor tiszta képet ad még teljes sötétségben is.

A készülék alapvetően kültéri használatra alkalmas, például vadászatra, felderítésre és mentésre, turázásra, utazásra.



A készülékkel képernyőképek készíthetők és videóok rögzíthetők, továbbá ha hotspoton keresztül mobiltelefonhoz csatlakoztatja, a HIKMICRO Sight alkalmazással a paramétereit is beállíthatók.

A letöltéshez keresse meg a HIKMICRO Sight alkalmazást az App Store-ban (iOS rendszer) vagy a Google Play™-en (Android rendszer), illetve olvassa be a QR-kódot a letöltéséhez és telepítéséhez.



Android rendszer



iOS rendszer

Az ezen rádióberendezésre érvényes frekvenciasávok és módok, valamint az átvitt teljesítmény (sugárzott és/vagy vezetett) névleges határértékei a következők:

Wi-Fi 2,4 GHz (2,4 GHz – 2,4835 GHz)	20 dBm
--------------------------------------	--------

## Megjelenés (2 - A oldal)

Két típusú kézi monokuláris hőkameráról beszélhetünk. A két típus megjelenési leírása az alábbiakban látható. Kérjük, a valós terméket tekintse vonatkoztatási alapnak.

### Gombok és komponensek

Sz.	Leírás	Funkció
1	Hőérzékelő lencse	Hőkép megtekintése.
2	Optikai lencse	Optikai kép megtekintése.
3	Lézeres távolságmérő	Távolságmérés a lézer segítségével.
4	Indítógomb	Nyomja meg: készenléti mód/eszköz aktiválása Tartsa lenyomva: tápellátás be/ki
5	Rögzítés gomb	Nyomja meg: képrögzítés Tartsa lenyomva: kalibrálás indítása
6	Mérőgomb	Lenyomva: lézeres távolságmérés Lenyomva tartva: rögzítés
7	Menügomb	Nyomja meg: színpaletták Tartsa lenyomva: belépés a menübe/kilépés a menüből
8	Forgógomb	Digitális nagyítás beállítása; funkciók kiválasztása menü üzemmódban.
9	C típusú csatlakozó	Az eszköz csatlakoztatása hálózati adapterhez; eszköz

Sz.	Leírás	Funkció
		csatlakoztatása a számítógéphez fájlok exportálásához.
10	Kereső	A célpont megtekintése, és a dioptria beállítása.
11	Fókuszgyűrű	Beállítja a látásélességet.
12	Működésjelző	A készülék be-/kikapcsolt üzemmódjának jelzése.

### Megjegyzés:

Nyomja le egyidejűleg a Mérés/Rögzítés gombot és a menügombot a rögzítés indításához.

Nyomja le egyidejűleg a bekapcsológombot, a Mérés/Rögzítés gombot és a menügombot a rejtett menü megjelenítéséhez.

### Akkumulátor behelyezése (4 - B oldal)

#### Lépések

1. Nyomja meg az akkumulátortartó rekesz zárját (a fekete keretben látható), majd forgassa el az akkumulátortartó rekesz fedelét az óramutató járásával ellentétes irányban, amíg az akkumulátortartó rekesz fedelén és a készüléken lévő jelek egy vonalba nem kerülnek, és szerelje le az akkumulátortartó rekesz fedelét.
2. Helyezze be az akkumulátorokat az akkumulátortartó rekeszbe a pozitív jelzéssel befele.
3. Igazítsa egymáshoz az akkumulátor fedőlapján, illetve a készüléken található jelzéseket, és helyezze vissza az akkumulátorra a fedőlapot.
4. Rögzítéshez forgassa az akkumulátorfedelét az óramutató járásával megegyező irányba.

### Megjegyzés:

Ha az eszközt hosszú ideig nem használja, vegye ki az elemet.

### Felhasználói útmutató



### Jogi információk

©2022 Hangzhou Microimage Software Co., Ltd.  
Minden jog fenntartva.

### A Kézikönyvvel kapcsolatos tudnivalók

Az útmutató a termék használatára és kezelésére vonatkozó utasításokat tartalmaz. Az itt szereplő képek, diagramok, ábrák és minden további információ csupán leírásként és magyarázatként szolgál. A Kézikönyvben szereplő információk a firmware-frissítések és egyéb okok miatt előzetes értesítés nélkül változhatnak. A kézikönyv legújabb verzióját a HIKMICRO webhelyén találja ([www.hikmicrotech.com/](http://www.hikmicrotech.com/)).

Az Útmutatót a termékkel kapcsolatos támogatáshoz megfelelő képesítéssel rendelkező szakemberek támogatásával és útmutatásával együtt használja.

### Védjegyek

 és más HIKMICRO védjegyek, illetve emblémák a HIKMICRO tulajdonát képezik különféle joghatóságokban.

Az említett egyéb védjegyek és logók a megfelelő tulajdonosok tulajdonát képezik.

### FELELŐSÉGGIZÁRÁS

EZT A KÉZIKÖNYVET, VALAMINT A BENNE SZERELT TERMÉKET ANNAK HARDVER-, SZOFTVER-ÖSSZETEVŐVEL ÉS FIRMWARE-ÉVEL EGYÜTT „EREDETI FORMÁBAN” BIZTOSÍTIJK, „BELEÉRTVE AZOK ÖSSZES ESETLEGES HIBÁJÁT”. A HIKMICRO NEM VÁLLAL SEM KIFEJEZETT, SEM TÖRVÉNY ÁLTAL VÉLMELNEZETT JÓTÁLLÁST TÖBBEK KÖZÖTT – DE NEM KORLÁTOZVA – A TERMÉK ERTEKESÍTHETŐSÉGÉRE, MEGFELELŐ MINŐSÉGÉRE, VALAMINT ADOTT CÉLRA VALÓ ALKALMASSÁGÁRA. A TERMÉKET KIZÁRÓLAG SAJÁT FELELŐSÉGÉRE HASZNÁLHATJA. A HIKMICRO SEMMILYEN ESETBEN SEM VÁLLAL FELELŐSÉGET ÖN FELÉ SEMMILYEN KÜLÖNLÉGES, KÖVETKEZMÉNYES, JÁRULEKOS VAGY KÖZVETETT KÁRÉRT, BELEÉRTVE TÖBBEK KÖZÖTT A TERMÉK HASZNÁLTÁVAL ÖSSZEFÜGGÉSBEN AZ ÜZLETI HASZON ELVESZTÉSÉBŐL, AZ ÜZLETMENET MEGSZAKADÁSÁBÓL, VALAMINT AZ ADATOK VAGY DOKUMENTUMOK ELVESZTÉSÉBŐL EREDŐ KÁROKAT, TÖRTÉNYJEN EZ SZERZŐDÉSSZEGÉS VAGY KÁROKOZÁS (BELEÉRTVE A GONDATLANSÁGOT) EREDMÉNYEKÉNT, MÉG AKKOR SEM, HA A HIKMICRO VÁLLALATOT TÁJEKOZTÁJTÁK AZ ILYEN KÁROK BEKÖVETKEZÉSÉNEK LEHETŐSÉGÉRŐL.

ÖN TUDOMÁSUL VESZI, HOGY AZ INTERNET TERMÉSZETÉBŐL FAKADÓAN KOCKÁZATOKAT REJT, ÉS A HIKMICRO SEMMILYEN FELELŐSÉGET NEM VÁLLAL A RENDELLENES MŰKÖDÉSÉRT, A SZEMÉLYES ADATOK KISZIVÁRGÁSÁÉRT VAGY MÁS OLYAN KÁROKÉRT, AMELYEKET KIBERTAMADÁSOK, HACKERTAMADÁSOK, VÍRUSFERTŐZÉSEK VAGY MÁS INTERNETES BIZTONSÁGI VESZÉLYEK OKOZTAK; A HIKMICRO AZONBAN KÉRÉSRE IDŐBEN MŰSZAKI TÁMOGATÁST NYÚJT.

ÖN ELFOGADJA, HOGY EZT A TERMÉKET KIZÁRÓLAG A VONATKOZÓ TÖRVÉNYI ELŐÍRÁSOK BETARTÁSÁVAL HASZNÁLJA, ÉS HOGY A VONATKOZÓ TÖRVÉNYNEK MEGFELELŐ HASZNÁLAT KIZÁRÓLAG AZ ÖN FELELŐSÉGE. KÜLÖNÖSKÉPPEN AZ ÖN FELELŐSÉGE, HOGY A TERMÉK HASZNÁLATA SORÁN NE SÉRTSE HARMADIK FÉL JOGAIT, BELEÉRTVE, DE NEM KORLÁTOZVA A NYILVANOSÁGÁRA, SZELLEMI TULAJDONRA, ADATOK VÉDELMEÉRE ÉS EGYÉB SZEMÉLYES ADATOKRA VONATKOZÓ JOGOKAT. TILOS A TERMÉKET ILLEGÁLIS VADÁSZATRA, MAGÁNÉLET MEGSÉRTÉSÉRE VAGY BÁRMILYEN MÁS, TÖRVÉNYTELEN VAGY A KÖZÉRDEKET SÉRTŐ CÉLRA HASZNÁLNI. A TERMÉKET NEM HASZNÁLHATJA TILTOTT CÉLRA, BELEÉRTVE A TÖMEGPUZTÍTÓ FEGYVEREK FEJLESZTÉSÉT VAGY GIYÁRTÁSÁT, A VEGET VAGY BIOLÓGIAI FEGYVEREK FEJLESZTÉSÉT VAGY GIYÁRTÁSÁT, VALAMINT BÁRMILYEN, ROBBANÁSVESZÉLYES VAGY NEM BIZTONSÁGOS NUKLEÁRIS HASADÓANYAG-CIKLUSSAL KAPCSOLATOS TEVÉKENYSÉGET, ILLETVE EMBERI JOGI VISSZÁÉLÉSEKET TÁMOGATÓ MÓDON TÖRTÉNŐ FELHASZNÁLÁST.

HA A JELEN KÉZIKÖNYV ÉS A HATÁLYOS TÖRVÉNY KÖZÖTT ELLENTMONDÁS TAPASZTALHATÓ, AKKOR AZ UTÓBBI A MÉRVAÓD.

### Szabályozással kapcsolatos információk

**Ezek a cikkelyek kizárólag a megfelelő jelt vagy információt viselő termékekre vonatkoznak.**

### EU megfeleléségi nyilatkozat



Ez a termék és a mellékelt tartozékai (ha vannak) a „CE” jelzéssel viselik, így megfelelnek a 2014/53/EU (RED), a 2014/30/EU (EMCD), a 2014/35/EU (LVD) és a 2011/65/EU (RoHS) irányelvben felsorolt harmonizált európai szabványoknak.



2012/19/EU irányelv (WEEE irányelv): Az ezzel a jelzéssel ellátott termékeket nem lehet szelektálatlan kommunális hulladékként elhelyezni az Európai Unióban. A megfelelő újrahasznosítás érdekében vigye vissza ezt a terméket helyi beszállítóához, amikor új, egyenértékű berendezést vásárol, vagy adja le a kijelölt gyűjtőhelyeken. További információk: [www.recyclthis.info](http://www.recyclthis.info)



2006/66/EK irányelv és annak 2013/56/EU kiegészítése (Akumulátor-irányelv): Ez a termék olyan elemet tartalmaz, amelyet nem lehet szelektálatlan kommunális hulladékként elhelyezni az Európai Unióban. A termékdokumentációban további információkat talál az elemről. Az elem ezzel a jelzéssel van ellátva. A jelzésen megtalálhatók lehetnek a kadmiumot (Cd), ólomot (Pb) vagy higanyt (Hg) jelző betűjelek. A megfelelő újrahasznosítás érdekében vigye vissza ezt a terméket a beszállítóhoz, vagy vigye egy kijelölt gyűjtőhelyre. További információért keresse fel az alábbi honlapot: [www.recyclthis.info](http://www.recyclthis.info).

### Biztonsági utasítások

Ezen utasítások célja annak biztosítása, hogy a felhasználó a terméket megfelelően tudja használni veszély vagy vagyoni veszteség elkerülése érdekében.

### Törvények és szabályok

Az eszközt a helyi törvények, elektromos biztonsági és tűzvédelmi előírások betartásával kell használni.

### Szállítás

- Szállítás alkalmával tartsa a terméket az eredeti vagy ahhoz hasonló csomagolásban.
- Minden csomagolóanyagot őrizzon meg a későbbi felhasználás érdekében. Hiba esetén az eredeti csomagolásában kell a készüléket visszaküldenie a gyártónak.
- Az eredeti csomagolástól eltérő csomagolás a termék sérülését okozhatja. A vállalat ez esetben nem vállal semmilyen felelősséget.
- Ne ejtse le és ne tegye ki ütődésnek a készüléket. Az eszközt tartsa távol a mágneses interferenciától.

### Tápellátás

- Az eszköz bemeneti feszültségének meg kell felelnie az IEC61010-1 szabvány szerinti korlátozott áramforrásnak (5 V DC, 2 A). A részletes információkért olvassa el a műszaki adatokat.
- Az akkumulátortöltő a termékcsoomag része. A mellékelt akkumulátortöltő bemeneti feszültségének meg kell felelnie a korlátozott áramforrásokra vonatkozó követelményeknek (5 VDC, 2A).
- Ellenőrizze, hogy a tápcsatlakozó stabilan van-e csatlakoztatva a konnektorhoz.
- NE csatlakoztasson több készüléket egy hálózati adapterre, hogy elkerülje a túlterhelés okozta

túlmelegedést vagy tűzveszélyt.

- Minősített gyártó hálózati adaptert használja. A tápellátással szembeni részletes követelmények a termék műszaki adataiban vannak feltüntetve. Az adapter felhasználási területének meg kell egyeznie a készülékével.

#### Akkumulátor

- Nem megfelelő akkumulátorok használata vagy cseréje robbanásveszélyt okozhat. Csak azonos, vagy egyenértékű típusra cserélje. Védelemes, 18650-es típusú akkumulátor használható, amelynek mérete 19 mm x 70 mm. A névleges feszültség, illetve kapacitás 3,6 VDC/3,35 Ah (12,06 Wh). Az elhasznált akkumulátorok hulladékkezelését az akkumulátor gyártójának útmutatása szerint végezze.
- Az akkumulátorokat csak az eszközhöz mellékelt töltővel töltsen. Ügyeljen arra, hogy töltés közben az akkumulátortöltő 2 méteres körzetén belül ne legyenek éghető anyagok.
- Az akkumulátor hosszú távú tárolásakor az akkumulátor minőségének biztosítása érdekében ellenőrizze fél évente, hogy az teljesen fel van-töltve. Ellenkező esetben rongálódás következhet be.
- NE helyezze az akkumulátort hőforrás vagy nyílt láng közelébe. Ovjá a közvetlen napsütéstől.
- NE nyelje le az akkumulátort, hogy elkerülje a vegyi égési sérüléseket.
- Az akkumulátor nem tölthető közvetlenül külső tápforrásról.
- A készülék nem tölthető fel, a mellékelt töltővel az akkumulátor tölthető.
- Ez a készülék nem használható olyan helyen, ahol gyermekek lehetnek jelen.
- VIGYÁZAT: Az akkumulátor nem megfelelő típusúra cserélése robbanásveszélyt idézhet elő.
- Az akkumulátor nem megfelelő típusossal történő helyettesítése hatástalanná tehet egy biztonsági berendezést (például bizonyos típusú lítiumion-akkumulátorok esetében).
- Tilos az akkumulátort tűzbe vagy forró sütőbe tenni, illetve az akkumulátort összezúzni vagy felvágni, mert ez robbanást okozhat.
- Tilos az akkumulátort rendkívül magas környezeti hőmérsékletnek kitenni, mert ez robbanást, illetve gyúlékony folyadék vagy gáz szivárgását idézheti elő.
- Tilos az akkumulátort rendkívül alacsony légnyomásnak kitenni, mert ez robbanást, illetve gyúlékony folyadék vagy gáz szivárgását okozhatja.
- A használt akkumulátorok hulladékkezelésekor kövesse az utasításokat.

#### Karbantartás

- Ha a termék nem működik megfelelően, forduljon a kereskedőjéhez vagy a legközelebbi szervizközponthoz. Nem vállalunk felelősséget az illetéktelen javításból vagy karbantartásból

eredő károkról.

- Törölje le a készüléket egy tiszta ruhával és kis mennyiségű etanollal, ha szükséges.
  - Ha a készülék nem a gyártó által meghatározott módon használja, a védelem szintje csökkenhet.
  - A karcolódás elkerülése érdekében tisztítsa a lencsét puha, száraz kendővel vagy tisztítópapírral.
- #### Használati környezet
- Győződjön meg arról, hogy a használati környezet megfelel a készülék előírásainak. Az üzemi hőmérsékletnek -30 °C és 55 °C közé kell esnie, az üzemi páratartalom pedig nem haladhatja meg a 95%-ot (nem lecsapódó).
  - NE tegye ki a készüléket szélsőségesen forró, hideg, poros, korrozív, sós, lúgos vagy nedves környezet hatásának.
  - Ne szerelje a készüléket rezgő felületre, vagy olyan helyre, ahol rázkódás érheti (ellenkező esetben a készülék károsodhat).
  - Ne irányítsa az objektívet a Nap vagy más erős fényforrás irányába.

#### Vészhelyzet

- Ha a készülék füstöt, furcsa szagot vagy zajt bocsát ki, azonnal kapcsolja ki, húzza ki a tápkábelt, majd forduljon a szervizközpontoz.

#### Lézer



Ha bármilyen lézerekészüléket használ, biztosítsa, hogy a készülék lencséjét ne érje a lézergyár, különben az kégphet. A készülékből származó lézergyárak szemsérüléseket eredményezhetnek, bőr vagy éghető anyagok égését okozhatja. Mielőtt engedélyezné a fénykiegészítő funkciót, bizonyosodjon meg, hogy nincsenek emberek vagy gyúlékony anyagok a lézerekészítő előtt. Ne helyezze az eszközt olyan helyre, ahol gyermekek elérhetik.

#### A gyártó címe

313-as szoba, B egység, 2-es épület, 399 Danfeng Road, Xixing alkerület, Binjiang kerület, Hangzhou, Zhejiang 310052, Kína  
Hangzhou Microimage Software Co., Ltd.

**MEGFELELŐSÉGI MEGJEGYZÉS:** A termográfiasorozat termékeire exporthatóság vizsgálatokat különböző régiókban és országokban, pl. az Egyesült Államokban, az Európai Unióban, az Egyesült Királyságban és/vagy a wassenaar egyezmény más tagországaiban. Ha a termográfiasorozat termékeit különböző országok közt szeretné szállítani, exportálni vagy újraexportálni, tájékozódjon a szükséges exporthatósági és követelményekről egy jogi vagy megfelelőségi szakértőnél, vagy a helyi hatóságoknál.

## Română



Aspectul produsului este doar de referință și poate varia de produsul real.

#### Descriere scurtă

Camera monoculară termică portabilă este un dispozitiv portabil cu funcții de observare, hotspot Wi-Fi, urmărirea fierbinte, fuziune a imaginii bi-spectru, măsurarea distanței cu laser și așa mai departe. Detectorul termic integrat de înaltă sensibilitate vă oferă o vedere clară chiar și în întuneric total.

Dispozitivul este aplicat în principal activităților în aer liber, cum ar fi vânătoarea, căutarea, salvarea, drumețiile și călătoriile.

Dispozitivul poate captura instantanee, înregistra

videoclipuri și poate seta parametrii prin aplicația HIKMICRO Sight după ce a fost conectat la telefon prin hotspot.

Căutați HIKMICRO Sight din App Store (iOS System) sau Google Play™ (Android System) pentru a-l descărca sau scana codul QR pentru a descărca și instala Aplicația.



Sistem Android Sistem iOS  
Benzile și modurile de frecvență și limitele nominale ale puterii transmise (radiate și/sau conduse) aplicabile acestui dispozitiv radio sunt următoarele:

Wi-Fi 2,4 GHz (de la 2,4 GHz până la 2,4835 GHz)	20 dBm
--	--------

### Aspect (Pagina 2 - A)

Există două tipuri de camere monoculare termice portabile. Descrierile aspectului celor două tipuri sunt prezentate mai jos. Vă rugăm să luați produsul real ca referință.

### Butoane și componente

Nr.	Descriere	Funcție
1	Obiectiv termic	Vizualizați imaginea termică.
2	Obiectiv optic	Vizualizați imaginea optică.
3	Telemetru cu laser	Măsoară distanța cu laser.
4	Tasta de pornire	Apăsati: modul de așteptare/trezire a dispozitivului Menținere apăsat: pornire/oprire
5	Tasta Captură	Apăsare: capturare Țineți apăsat: calibrarea declanșatorului
6	Tașă de măsurare	Apăsati: măsurarea distanței cu laser Țineți apăsat: captură
7	Tasta Meniu	Apăsare: palete cromatice Țineți apăsat: intrați/ieșiți din meniu
8	Roată	Reglați zoom-ul digital; selecția funcțiilor în modul meniu.
9	Interfață de tip C	Conectați dispozitivul cu adaptorul de alimentare; conectați dispozitivul la computer pentru a exporta fișiere.
10	Oculare	Vizualizați ținta și reglați dioptria.
11	Inel de focalizare	Ajustați claritatea vizualizării.
12	Indicator	Indicați modul pornit/oprit al dispozitivului.

### Notă:

Apăsati tasta Măsurare/Tasta Captură și Tasta Meniu în același timp pentru a începe sau a opri înregistrarea.

Apăsati tasta Pornire, Tasta Măsurare/Tasta Captură și Tasta Meniu în același timp pentru a intra în meniul ascuns.

### Instalarea bateriei (Pagina 4 - B)

#### Pași

1. Apăsati și împingeți blocarea compartimentului bateriei (prezentată în cadrul negru), rotiți capacul bateriei în sens invers acelor de ceasornic până când semnele de pe capacul bateriei și dispozitivul sunt aliniate, apoi

2. Introduceți bateria în compartimentul bateriei cu semnul pozitiv spre interior.
3. Aliniați semnele de pe capacul bateriei și de pe dispozitiv, apoi puneți capacul bateriei pe baterie.
4. Rotiți capacul bateriei în sensul acelor de ceasornic pentru a-l fixa.

### Notă:

Scoateți bateria dacă nu utilizați dispozitivul o perioadă lungă de timp.

### Manual de utilizare



### Informații legale

©2022 Hangzhou Microimage Software Co., Ltd.  
Toate drepturile rezervate.

#### Despre acest Manual

Manualul include instrucțiuni pentru utilizarea și gestionarea Produsului. Fotografii, diagramele, imaginile și toate celelalte informații de mai jos sunt doar pentru descriere și explicații. Informațiile conținute în Manualul pot fi modificate, fără a notificare prealabilă, din cauza actualizărilor firmware-ului sau din alte motive. Vă rugăm să găsiți cea mai recentă versiune a acestui Manual pe site-ul HIKMICRO ([www.hikmicrotech.com/](http://www.hikmicrotech.com/)).

Vă rugăm să folosiți acest Manual sub îndrumarea și cu asistența unor profesioniști instruiți în domeniul asistenței pentru produs.

#### Mărci comerciale

HIKMICRO și alte mărci comerciale și sigle ale HIKMICRO reprezintă proprietatea HIKMICRO în diferite jurisdicții.

Alte mărci comerciale și logo-uri menționate sunt proprietățile proprietarilor respectivi.

#### DISCLAIMER

ÎN MĂSURA MAXIMĂ PERMISĂ DE LEGISLAȚIA APLICABILĂ, ACEST MANUAL ȘI PRODUSUL DESCRIS, ÎMPREUNĂ CU HARDWARE-UL, SOFTWARE-UL ȘI FIRMWARE-UL SĂU, SUNT FURNIZATE „CA ATARE” ȘI „CU TOATE DEFECTELE ȘI ERORILE”. HIKMICRO NU OFERĂ GARANȚII, EXPLICITE SAU IMPLICITE, INCLUSIV, FĂRĂ LIMITARE, VANDABILITATE, CALITATE SATISFĂCĂTOARE SAU ADECVARE PENTRU UN ANUMIT SCOP. UTILIZAREA PRODUSULUI DE CĂTRE DVS. ESTE PE PROPRIU RISC. ÎN NIČIUN CAZ HIKMICRO NU VA FI RĂSPUNZĂTOR FAȚĂ DE DVS. PENTRU ORICE DAUNE SPECIALE, CONSECVENTE, ACCIDENTALE SAU INDIRECTE, INCLUSIV, PRINTRE ALTELE, DAUNE PENTRU PIERDEREA PROFITURILOR DE AFACERI, ÎNTRERUPEREA AFACERII, SAU PIERDEREA DATELOR, CORUPȚIA SISTEMELOR SAU PIERDEREA DOCUMENTAȚIEI, FIE CĂ SE BAZEAZĂ PE ÎNCĂLCAREA CONTRACTULUI, DELICT (INCLUSIV NEGLIJENȚĂ), RĂSPUNDEREA PRODUSULUI SAU ÎN ALT MOD, ÎN LEGĂTURĂ CU UTILIZAREA PRODUSULUI, CHIAR DACĂ HIKMICRO A FOST INFORMAT CU PRIVIRE LA POSIBILITATEA UNOR ASTFEL DE DAUNE SAU PIERDERI.

RECUNOȘTEȚI CĂ NATURA INTERNETULUI ASIGURĂ RISCURI DE SECURITATE INERENTE, IAR HIKMICRO NU ÎȘI ASUMĂ NICIO RESPONSABILITATE PENTRU FUNCȚIONAREA ANORMALĂ, SCURGERI DE CONFIDENȚIALITATE SAU ALTE DAUNE REZULTATE DIN ATACURILE CIBERNETICE, ATACURILE HACKERILOR, INFECTIILOR CU VIRUSI SAU ALTE RISCURI DE SECURITATE PE INTERNET; CU TOATE ACEȘTEA, HIKMICRO VA OFERI ASISTENȚĂ TEHNICĂ ÎN TIMP UTIL, DACĂ ESTE NECESAR.

SUNTEȚI DE ACORD SĂ UTILIZAȚI ACEST PRODUS ÎN CONFORMITATE CU TOATE LEGILE APLICABILE ȘI SUNTEȚI ȘINGURUL RESPONSABIL PENTRU A VĂ ASIGURA CĂ UTILIZAREA DVS. ESTE ÎN CONFORMITATE CU LEGISLAȚIA APLICABILĂ. ÎN SPECIAL, SUNTEȚI RESPONSABIL, PENTRU UTILIZAREA ACESTUI PRODUS ÎNTR-UN MOD CARE NU ÎNCALCĂ DREPTURILE TERȚILOR, INCLUSIV, FĂRĂ LIMITARE, DREPTURILE DE PUBLICITATE, DREPTURILE DE PROPRIETATE INTELECTUALĂ SAU PROTECȚIA DATELOR ȘI ALTE DREPTURI DE CONFIDENȚIALITATE. NU UTILIZAȚI ACEST PRODUS PENTRU VĂNĂTOAREA ILEGALĂ DE ANIMALE, INVAZIA VIEȚII PRIVATE SAU ÎN ORICE ALT SCOP CARE ESTE ILEGAL SAU ÎN DETRIMENTUL INTERESULUI PUBLIC. NU VEȚI UTILIZA ACEST PRODUS PENTRU UTILIZĂRI FINALE INTERZISE, INCLUSIV PENTRU DEZVOLTAREA SAU PRODUCEREA DE ARME DE DISTRUGERE ÎN MASĂ, DEZVOLTAREA SAU PRODUCEREA DE ARME CHIMICE SAU BIOLOGICE, ORICE ACTIVITĂȚI ÎN CONTEXTUL ORICĂRUI CICLU NUCLEAR EXPLOZIV SAU NESIGUR AL COMBUSTIBILULUI NUCLEAR SAU ÎN SPRIJINUL OAMENILOR ABUZURI DE DREPTURI. ÎN CAZUL UNOR CONFLICTE ÎNTRE ACEST MANUAL ȘI LEGEA APLICABILĂ, ACESTA DIN URMA PREVALEAZĂ.

### Informații de reglementare

**Aceste clauze se aplică numai produselor care poartă marca sau informațiile corespunzătoare.**

### Declarație de conformitate UE



Acest produs și – după caz – accesoriile furnizate sunt marcate cu „CE”, prin urmare sunt conforme cu standardele europene armonizate aplicabile prezentate în Directiva 2014/53/UE (DER), Directiva 2014/30/UE (DCME), Directiva 2014/35/EU (DTJ), Directiva 2011/65/UE (RoHS).



Directiva 2012/19/UE (Directiva DEEE): Produsele marcate cu acest simbol nu pot fi aruncate ca deșeuri municipale nesortate în Uniunea Europeană.

Pentru o reciclare adecvată, returnați acest produs furnizorului local la achiziționarea unui echipament nou echivalent sau aruncați-l la punctele de colectare desemnate. Pentru mai multe informații vezi: [www.recyclethis.info](http://www.recyclethis.info)



Directiva 2006/66/CE și modificarea acesteia 2013/56/UE (Directiva privind bateriile): Acest produs conține o baterie care nu poate fi eliminată ca deșeu municipal nesortat în Uniunea

Europeană. Consultați documentația produsului pentru informații specifice despre baterie. Bateria este marcată cu acest simbol, care poate include

litere pentru a indica cadmiul (Cd), plumbul (Pb) sau mercurul (Hg). Pentru o reciclare corectă, returnați bateria furnizorului dvs. sau la un punct de colectare desemnat. Pentru mai multe informații, consultați: [www.recyclethis.info](http://www.recyclethis.info).

### Instrucțiuni de siguranță

Aceste instrucțiuni sunt menite să asigure că utilizatorul poate utiliza corect produsul pentru a evita pericolul sau pierderea proprietății.

### Legi și reglementări

Dispozitivul trebuie utilizat în conformitate cu legile locale, reglementările privind siguranța electrică și reglementările privind prevenirea incendiilor.

### Transport

- Păstrați dispozitivul în ambalajul original sau similar în timpul transportului.
- După dezambalare, păstrați toate ambalajele pentru o viitoare utilizare. În cazul în care a apărut vreun defect, trebuie să returnați dispozitivul în fabrică cu ambalajul original.
- Transportul fără ambalajul original poate duce la deteriorarea dispozitivului, iar compania nu își asumă nici o responsabilitate pentru aceasta.
- Nu scăpați produsul și nu îl supuneți la șocuri fizice. Păstrați dispozitivul departe de interfața magnetică.

### Sursa de alimentare

- Tensiunea de intrare pentru dispozitiv trebuie să respecte sursa de alimentare limitată (5 V c.c., 2 A) în conformitate cu standardul IEC61010-1. Vă rugăm să consultați specificațiile tehnice pentru informații detaliate.
- Încărcătorul de baterii este inclus în pachet. Tensiunea de intrare pentru încărcătorul de baterii furnizat trebuie să respecte limitarea sursei de alimentare (5 V c.c., 2 A).
- Asigurați-vă că stecherul este conectat corect la prizele de curent.
- NU conectați mai multe dispozitive la un adaptor de alimentare pentru a evita pericolul de supraîncălzire sau de incendiu.
- Utilizați adaptorul de alimentare furnizat de un producător calificat. Consultați specificațiile produsului pentru cerințele detaliate de alimentare. Mediul de utilizare a adaptorului trebuie să fie în concordanță cu cel al dispozitivului.

### Baterie

- Utilizarea necorespunzătoare sau înlocuirea bateriei pot duce la pericol de explozie. Înlocuiți numai cu același tip sau un tip echivalent. Tipul bateriei este 18650 cu placa de protecție, iar dimensiunea bateriei trebuie să fie de 19 mm x 70 mm. Tensiunea nominală și capacitatea sunt de 3,6 VDC/3,35 Ah (12,06 Wh). Eliminați bateriile uzate în conformitate cu instrucțiunile oferite de producătorul bateriei.
- Nu încărcați alte tipuri de baterii cu încărcătorul furnizat. Confirmati că nu există material inflamabil la 2 m de încărcător în timpul încărcării.
- Pentru depozitarea pe termen lung a bateriei, asigurați-vă că aceasta este complet încărcată la fiecare jumătate de an pentru a asigura calitatea bateriei. În caz contrar, pot apărea daune.
- NU așezați bateria lângă sursa de încălzire sau de incendiu. Evitați lumina directă a soarelui.
- NU înghițiți bateria pentru a evita arsurile chimice.
- Bateria nu poate fi încărcată direct cu o sursă de alimentare externă.
- Dispozitivul nu poate fi încărcat, vă rugăm să utilizați încărcătorul furnizat pentru a încărca bateria.
- Acest echipament nu este adecvat pentru

utilizarea în locații în care este posibil să fie prezenți copii.

- **ATENȚIE:** Risc de explozie dacă bateria este înlocuită cu una de tip incorect.
- Înlocuirea necorespunzătoare a bateriei cu un tip incorect poate anula o protecție (de exemplu, în cazul unor tipuri de baterii cu litiu).
- Nu aruncați bateria în foc sau într-un cuptor încins și nici nu zdrobiți sau tăiați mecanic bateria, deoarece aceasta poate provoca o explozie.
- Nu lăsați bateria într-un mediu înconjurător cu temperaturi extrem de ridicate, ceea ce poate duce la o explozie sau la scurgerea de lichid sau gaz inflamabil.
- Nu supuneți bateria la o presiune extrem de scăzută a aerului, care poate duce la o explozie sau la scurgerea de lichid sau gaz inflamabil.
- Aruncați bateriile uzate în conformitate cu instrucțiunile.

#### Întreținere

- În cazul în care produsul nu funcționează corect, vă rugăm să contactați dealerul sau cel mai apropiat centru de service. Nu ne asumăm nicio responsabilitate pentru problemele cauzate de reparații sau întreținere neautorizate.
- Ștergeți ușor aparatul cu o cârpă curată și o cantitate mică de etanol, dacă este necesar.
- În cazul în care echipamentul este utilizat într-un mod care nu este specificat de producător, protecția oferită de dispozitiv poate fi afectată.
- Curățați lentila cu o cârpă moale și uscată sau cu hârtie de șters pentru a evita zgărierea acesteia.

#### Utilizarea mediului

- Asigurați-vă că mediul de funcționare îndeplinește cerințele dispozitivului. Temperatura de funcționare trebuie să fie între -30°C și 55°C (-22°F și 131°F), iar umiditatea de funcționare trebuie să fie de 95% sau mai mică, fără condensare.
- NU expuneți dispozitivul la medii extrem de

calde, reci, prăfuite, corozive, saline-alkaline sau umede.

- Evitați instalarea echipamentului pe suprafețe cu vibrații sau în locuri supuse la șocuri (neglijarea poate provoca deteriorarea echipamentului).
- Nu îndreptați obiectivul la soare sau la orice altă sursă strălucitoare.

#### Urgență

Dacă de la dispozitiv apar fum, miros sau zgomot, opriți imediat alimentarea, deconectați cablul de alimentare și contactați centrul de service.

#### Laser



Când utilizați orice echipament laser, asigurați-vă că lentila dispozitivului nu este expusă la raza laser, altfel se poate arde. Radiația laser emisă de dispozitiv poate provoca leziuni oculare, arsuri ale pielii sau substanțe inflamabile. Înainte de a activa funcția de suplimentare a luminii, asigurați-vă că în fața lentilei laserului nu se află persoane sau substanțe inflamabile. Nu plasați dispozitivul acolo unde minorii îl pot prelua.

#### Adresa de fabricație

Camera 313, Unitatea B, Clădirea 2, 399 Danfeng Road, subdistrictul Xixing, districtul Binjiang, Hangzhou, Zhejiang 310052, China  
Hangzhou Microimage Software Co., Ltd.  
NOTIFICARE DE CONFORMITATE: Produsele din seria termică pot fi supuse controalelor exporturilor în diferite țări sau regiuni, inclusiv, fără limitare, Statele Unite ale Americii, Uniunea Europeană, Regatul Unit și/sau alte țări membre ale Aranjamentului de la Wassenaar. Vă rugăm să consultați expertul juridic sau de conformitate profesional sau autoritățile administrației locale pentru orice cerințe necesare privind licența de export dacă intenționați să transferați, să exportați, să reexportați produsele din seria termică între diferite țări.

### Nederlands



Het uiterlijk van het product is alleen bedoeld als referentie en kan verschillen van het werkelijke product.

#### Korte beschrijving

De thermische monoculaire handcamera is een handapparaat met observatiefuncties, wifi-hotspot, hot tracking, bi-spectrum beeldfusie, laserafstandsmeting en meer. De zeer gevoelige ingebouwde thermische detector geeft u een helder zicht, zelfs in totale duisternis.

Het apparaat wordt voornamelijk toegepast op buitenactiviteiten zoals jagen, zoeken en redden, wandelen en reizen.

Het apparaat kan momentopnames maken, video's opnemen en parameters instellen met de HIKMICRO Sight-app nadat u het via een hotspot met uw telefoon heeft verbonden.

Zoek naar HIKMICRO Sight in de App Store (iOS-apparaat) of Google Play™ (Android-apparaat) of scan de QR-code om de app te downloaden en te installeren.



Android-systeem

iOS-systeem

De frequentiebanden en -modi en de nominale limieten van het uitgezonden vermogen (uitgestraald en/of geleid) die van toepassing zijn op dit radioapparaat, zijn de volgende:

Wi-Fi 2,4 GHz (2,4 GHz tot 2,4835 GHz)	20 dBm
--	--------

#### Verschijningsvorm (Pagina 2 - A)

Er zijn twee typen handheld thermische monoculaire camera's. De verschijningsvorm van de twee typen staan hieronder beschreven. Houd het eigenlijke product aan als referentie.

#### Knoppen & Componenten

Nr.	Omschrijving	Functie
1	Thermische lens	Warmtebeeld bekijken.
2	Optische lens	Optisch beeld bekijken.
3	Laserafstands meter	De afstand met een laser meten.
4	Aan/uit-toets	Indrukken: standbymodus/het apparaat activeren Houd ingedrukt om in/uit te schakelen
5	Vastlegtoets	Druk in om een opname te maken



Nr.	Omschrijving	Functie
		Vasthouden: kalibratie activeren
6	Metingstoets	Indrukken: meet de afstand met laser Ingedrukt houden: leg vast
7	Menutoets	Druk in voor kleurenpaletten Vasthouden: het menu openen/sluiten
8	Wiel	De digitale zoom aanpassen; functies in de menumodus selecteren.
9	Interface type C	Het apparaat aansluiten op de netstroomadapter; het apparaat aansluiten op uw PC om bestanden te exporteren.
10	Oculairs	Het doel bekijken, dioptrie instellen.
11	Focusing	Pas het zicht aan.
12	Pictogram	De aan-/uitmodus van het apparaat aangeven.

#### Opmerking:

Druk tegelijkertijd op de meettoets/opnametoets en de menutoets om de opname te starten of te stoppen.

Druk tegelijkertijd op de aan-/uittoets, de meettoets/opnametoets en de menutoets om het verborgen menu te openen.

#### Batterij installeren (Pagina 4 - B)

##### Stappen

1. Druk en duw op de vergrendeling van het batterijcompartiment (weergegeven in het zwarte kader), draai het batterijcompartimentdeksel tegen de klok in tot de merktekens op het batterijcompartimentdeksel en het toestel met elkaar uitgelijnd zijn, en verwijder vervolgens het batterijcompartimentdeksel.
2. Plaats de batterij in het batterijvak met de plus-markering naar binnen.
3. Lijn de markeringen op het batterijcompartimentdeksel en het apparaat uit en plaats het batterijcompartimentdeksel op de batterij.
4. Draai het batterijklepje rechtsom om deze vast te zetten.

#### Opmerking:

Verwijder de batterij als u het apparaat gedurende langer tijd niet gebruikt.

#### Gebruiksaanwijzing



#### Juridische informatie

©2022 Hangzhou Microimage Software Co., Ltd.  
Alle rechten voorbehouden.

#### Over deze handleiding

De handleiding bevat instructies voor het gebruik en beheer van het product. Afbeeldingen, grafieken, afbeeldingen en alle andere informatie hierna worden verstrekt voor beschrijving en uitleg. De informatie in de handleiding is onderhevig aan verandering, zonder voorafgaande kennisgeving, als gevolg van firmware-updates of andere redenen. U kunt de nieuwste versie van deze handleiding vinden op de HIKMICRO-website ([www.hikmicrotech.com/](http://www.hikmicrotech.com/)).

Gebruik deze handleiding onder begeleiding en ondersteuning van professionals die zijn opgeleid voor het ondersteunen van het product.

#### Handelsmerken

 andere handelsmerken en logo's van HIKMICRO zijn eigendom van HIKMICRO in verschillende rechtsgebieden.

Andere handelsmerken en logo's zijn het eigendom van hun respectieve eigenaren.

#### VRIJWARINGSCLAUSULE

VOOR ZOVER MAXIMAAL TOEGESTAAN OP GROND VAN HET TOEPASSELIJK RECHT, WORDEN DEZE HANDLEIDING EN HET OMSCHREVEN PRODUCT, INCLUSIEF HARDWARE, SOFTWARE EN FIRMWARE, GELEVERD 'ZOALS ZE ZIJN', INCLUSIEF 'FOUTEN EN GEBREKEN'. HIKMICRO GEEFT GEEN GARANTIES, EXPLICIET OF IMPLICIET, WAARONDER ZONDER BEPERKING, VERKOOPBAARHEID, BEVREDIGENDE KWALITEIT OF GESCHIKTHEID VOOR EEN BEPAALD DOEL. HET GEBRUIK VAN HET PRODUCT DOOR U IS OP EIGEN RISICO. IN GEEN GEVAL IS HIKMICRO VERANTWOORDELIJK VOOR SPECIALE, BIJKOMENDE, INCIDENTELE OF INDIRECTE SCHADE, WAARONDER, ONDER ANDERE, SCHADE VAN VERLIES AAN ZAKELIJKE WINST, ZAKELIJKE ONDERBREKING OF VERLIES VAN GEGEVENS, CORRUPTIE OF SYSTEMEN, OF VERLIES VAN DOCUMENTATIE, ONGEACHT OF DIT VOORTVLOEIT UIT CONTRACTBREUK, BENADELING (INCLUSIEF NALATIGHEID), PRODUCTANSPRAAKELIJKHEID OF ANDERS, MET BETREKKING TOT HET PRODUCT, ZELFS ALS HIKMICRO DE VOOR HOOGTE IS GEBRACHT VAN ZULKE SCHADE OF VERLIES.

U ERKENT DAT DE AARD VAN HET INTERNET INHERENTE VEILIGHEIDSRISICO'S INHOUDT EN DAT HIKMICRO GEEN ENKELE VERANTWOORDELIJKHEID AANVAARDT VOOR ABNORMALE WERKING, HET UITLEKKEN VAN PERSOONLIJKE GEGEVENS OF ANDERE SCHADE ALS GEVOLG VAN CYBERAANVALLEN, HACKERAANVALLEN, VIRUSBESMETTINGEN OF ANDERE BEVEILIGINGSRISICO'S OP HET INTERNET; INDIEN NODIG VOORZIET HIKMICRO IN TIJDIGE TECHNISCHE ONDERSTEUNING.

U GAAT AKKOORD MET HET GEBRUIK VAN DIT PRODUCT IN OVEREENSTEMMING MET ALLE TOEPASBARE WETTEN EN UITSLUITEND U BENT VERANTWOORDELIJK VOOR DE GARANTIE DAT UW GEBRUIK OVEREENSTEMT MET DE TOEPASBARE WET. U BENT VOORAL VERANTWOORDELIJK DAT HET GEBRUIK VAN DIT PRODUCT GEEN INBREUK MAAKT OP DE RECHTEN VAN DERDEN, INCLUSIEF EN ZONDER BEPERKING DE RECHTEN VAN PUBLICITEIT, INTELLECTUEEL EIGENDOM, OF GEGEVENSBESCHERMING EN ANDERE PRIVACYRECHTEN. U MAG DIT PRODUCT NIET GEBRUIKEN OM ILLEGAAL OP DIEREN TE JAGEN, DE PRIVACY TE SCHENDEN OF VOOR ENIG

ANDER DOEL DAT ILLEGAAL IS DAN WEL SCHADELIJK VOOR HET OPENBAAR BELANG. U MAG DIT PRODUCT NIET GEBRUIKEN VOOR ENIGE ONWETTIG EINDGEBRUIK, MET INBEGRIIP VAN DE ONTWIKKELING OF DE PRODUCTIE VAN MASSAVERNIETIGINGSWAPENS, DE ONTWIKKELING OF DE PRODUCTIE VAN CHEMISCHE OF BIOLOGISCHE WAPENS, ALLE ACTIVITEITEN IN HET KADER VAN EVENTUELE NUCLEAIRE EXPLOSIEVEN OF ONVEILIGE NUCLEAIRE BRANDSTOF CYCLUS, OF TER ONDERSTEUNING VAN MENSENRECHTENSCHENDINGEN. IN HET GEVAL VAN ENIGE CONFLICTEN TUSSEN DEZE HANDLEIDING EN DE TOEPASSELIJKE WETGEVING, PREVALEERT DE LAATSTE.

### Informatie met betrekking tot regelgeving

Deze clausules zijn alleen van toepassing op de producten die de overeenkomende markering of informatie dragen.

### EU-conformiteitsverklaring



Dit product en - indien van toepassing - ook de meegeleverde accessoires zijn gemarkeerd met "CE" en voldoen

daarmee aan de toepasselijke geharmoniseerde Europese normen vermeld onder de Richtlijn 2014/53/EU (RED), Richtlijn 2014/30/EU (EMCD), Richtlijn 2014/35/EU (LVD), Richtlijn 2011/65/EU (RoHS).



Richtlijn 2012/19/EU (WEEE-richtlijn):

Producten die met dit symbool zijn gemarkeerd mogen binnen de Europese Unie niet worden weggegooid als

ongesorteerd huishoudelijk afval. Lever dit product voor een juiste recycling in bij uw plaatselijke leverancier bij aankoop van soortgelijke nieuwe apparatuur, of breng het naar daarvoor aangewezen inzamelpunten. Zie voor meer informatie: [www.recyclethis.info](http://www.recyclethis.info)



Richtlijn 2006/66/EG en zijn amendement 2013/56/EU (Batterijrichtlijn): Dit product bevat een batterij die binnen de Europese Unie niet mag worden weggegooid als

ongesorteerd huishoudelijk afval. Zie de productdocumentatie voor specifieke informatie over de batterij. De batterij is gemarkeerd met dit symbool, dat letters kan bevatten die cadmium (Cd), lood (Pb) of kwik (Hg) aanduiden. Lever de batterij voor een juiste recycling in bij uw leverancier of bij een daarvoor aangewezen inzamelpunt. Raadpleeg voor meer informatie: [www.recyclethis.info](http://www.recyclethis.info).

### Veiligheidsinstructies

Deze instructies zijn bedoeld om te verzekeren dat de gebruiker het product juist kan gebruiken om gevaar of verlies van eigendommen te vermijden.

### Wet- en regelgeving

Het apparaat moet worden gebruikt in overeenstemming met lokale wetgeving, elektrische veiligheidsvoorschriften en voorschriften voor brandpreventie.

### Transport

- Bewaar het apparaat in de originele of soortgelijke verpakking tijdens vervoer.
- Bewaar alle verpakkingen voor toekomstig gebruik. In het geval van een defect moet u het

apparaat terugsturen naar de fabriek met de originele verpakking.

- Transport zonder de originele verpakking kan leiden tot schade aan het apparaat, waarvoor wij geen verantwoordelijk erkennen.
- Laat het product niet vallen en stel het apparaat niet bloot aan schokken. Houd het apparaat uit de buurt van magnetische interferentie.

### Stroomvoorziening

- De ingangsspanning van het apparaat moet voldoen aan de beperkte stroombron (5VDC, 2A) volgens de IEC61010-1-norm. Zie de technische specificaties voor gedetailleerde informatie.
- De batterijlader wordt meegeleverd in de verpakking. De ingangsspanning van de meegeleverde batterijlader moet voldoen aan de beperkte stroombron (5 VDC, 2A).
- Zorg dat de stekker goed in het stopcontact zit.
- Sluit NOOIT meerdere apparaten aan op één voedingsadapter om oververhitting of brandgevaar door overbelasting te voorkomen.
- Gebruik de door een gekwalificeerde fabrikant geleverde netstroomadapter. Raadpleeg de productspecificatie voor gedetailleerde batterijvereisten. De gebruiksomgeving van de adapter dient overeen te komen met die van het apparaat.

### Batterij

- Onjuist gebruik of onjuiste vervanging van de batterij kan resulteren in explosiegevaar. Vervang hem alleen door hetzelfde of een gelijkwaardig type. Het batterijtype is 18650 met de beschermingskaart, en de afmetingen van de batterij kunnen maximaal 19 mm × 70 mm zijn. De nominale spanning en capaciteit zijn 3,6 VDC/3,35 Ah (12,06 Wh). Voer gebruikte batterijen af in overeenstemming met de instructies van de batterijfabrikant.
- Laad geen andere batterijtypes op met de meegeleverde oplader. Zorg tijdens het opladen dat er zich geen brandbaar materiaal binnen een straal van 2 m van de oplader bevindt.
- Voor langdurige opslag van de batterij moet u ervoor zorgen dat deze elk half jaar volledig wordt opgeladen om de kwaliteit van de batterij te waarborgen. Als u dit niet doet, kan dit leiden tot schade.
- Houd de batterij uit in de buurt van hitte- of open vuur. Vermijd direct zonlicht.
- Slik de batterij niet in om chemische brandwonden te voorkomen.
- De batterij kan niet rechtstreeks worden opgeladen met een externe stroombron.
- Het apparaat kan niet worden opgeladen, gebruik de meegeleverde oplader om de batterij op te laden.
- Deze apparatuur is niet geschikt voor gebruik op locaties waar waarschijnlijk kinderen aanwezig zijn.
- LET OP: Er bestaat explosiegevaar wanneer de batterij door een onjuist type wordt vervangen.
- Onjuiste vervanging van de batterij door een onjuist type kan een beveiliging omzelen (bijvoorbeeld in het geval van sommige typen lithiumbatterijen).
- Gooi de batterij niet in vuur of een hete oven en plet of snij de batterij niet op mechanische wijze, want dat kan een explosie veroorzaken.
- Laat de batterij niet in een omgeving met een extreem hoge temperatuur liggen, want dat kan een explosie of het lekken van brandbare vloeistof of gas tot gevolg hebben.
- Stel de batterij niet bloot aan extreem lage luchtdruk, want dat kan een explosie of het lekken van brandbare vloeistof of gas tot gevolg hebben.
- Verwijder gebruikte batterijen in overeenstemming met de instructies.



## Onderhoud

- Als het product niet goed werkt, neem dan contact op met uw leverancier of het dichtstbijzijnde servicecentrum. Wij aanvaarden geen verantwoordelijkheid voor problemen die zijn veroorzaakt door ongeautoriseerde reparatie of onderhoud.
- Veeg het apparaat voorzichtig schoon met een schone doek en, indien nodig, een kleine hoeveelheid ethanol.
- Als de apparatuur wordt gebruikt op een manier die niet door de fabrikant is gespecificeerd, kan de bescherming van het apparaat worden aangetast.
- Maak de lens schoon met een zachte en droge doek of poetspapier om krassen te voorkomen.

## Gebruiksomgeving

- Zorg dat de gebruiksomgeving voldoet aan de vereisten van het apparaat. De bedrijfstemperatuur mag -30°C tot 55°C (-22°F tot 131°F) bedragen en de vochtigheidsgraad bij gebruik moet 95% of minder zijn, zonder condensatie.
- Stel het apparaat niet bloot aan extreem warme, koude, stoffige, corrosieve, zout-alkalische of vochtige omgevingen.
- Vermijd installatie van de apparatuur op een trillende ondergrond of op plaatsen die aan schokken onderhevig zijn (dit nalaten kan schade aan de apparatuur veroorzaken).
- Richt de lens niet op de zon of een ander fel licht.

## Noodgeval

Als er rook, geur of geluid uit het apparaat komt, schakel het dan onmiddellijk uit, haal de stekker van het netsnoer uit het stopcontact en neem

contact op met het servicecentrum.

## Laser



Wanneer laserapparatuur in gebruik is, zorg er dan voor dat de lens van het apparaat niet wordt blootgesteld aan de laserstraal, anders kan deze doorbranden. De laserstraling van het apparaat kan oogletsels en verbranding van de huid of brandbare stoffen veroorzaken. Zorg, voordat u de kunstlichtfunctie inschakelt, dat er zich geen mensen of brandbare stoffen voor de laseren bevinden. Plaats het apparaat niet binnen het bereik van minderjarigen.

## Adres fabrikant

Kamer 313, Unit B, Gebouw 2, 399 Danfeng Road, subdistrict Xixing, district Binjiang, Hangzhou, Zhejiang 310052, China  
Hangzhou Microimage Software Co., Ltd.  
MEDEDELING VAN NALEVING: De producten thermische serie kunnen zijn onderworpen aan exportcontroles in verschillende landen of regio's, inclusief zonder enige beperking de Verenigde Staten, de Europese Unie, het Verenigd Koninkrijk en/of andere lidstaten van de Overeenkomst van Wassenaar. Neem contact op met uw professionele juridische of nalevingsexpert of plaatselijke overheidsinstanties omtrent enige noodzakelijke vereisten voor een exportvergunning als u van plan bent de producten thermische serie te verplaatsen, exporteren of her-exporteren tussen verschillende landen.

**Dansk**



Produktudsendet er kun til reference og kan variere fra det faktiske produkt.

Wi-fi 2,4 GHz (2,4-2,4835 GHz)

20 dBm

## Kort oversigt

Det håndholdte termografiske monokulære kamera er en håndholdt enhed med funktioner til observation, wi-fi-hotspot, varmesporing, bispektral billedfusion, afstandsmåling med laser osv. Den indbyggede, højfølsomme termiske detektor giver dig et klart billede, selv i fuldkommen mørke.

Enheden bruges primært til udendørsaktiviteter som f.eks. jagt, eftersøgnings- og redningsaktioner, vandreture og rejser.

Enheden kan optage snapshots og videoer og indstille parametre ved hjælp af appen HIKMICRO Sight, når den er tilsluttet din telefon via et hotspot.

Søg efter HIKMICRO Sight i App Store (iOS-system) eller Google Play™ (Android-system) for at downloade appen, eller scan QR-koden for at downloade og installere appen.



Android



iOS

Frekvensbåndene og tilstandene og de nominelle grænser for transmitteret effekt (udstrålet og/eller overført) er følgende for radioenheden:

## Udsende (Side 2 - A)

Der findes to typer håndholdte termografiske monokulære kameraer. Udsende og beskrivelse af de to typer findes herunder. Det faktiske produkt gælder.

## Knapper og komponenter

Nr.	Beskrivelse	Funktion
1	Termisk objektiv	Se det termiske billede.
2	Optisk objektiv	Se det optiske billede.
3	Laserafstandsmåler	Mål afstand med laser.
4	Afbrydertast	Tryk: Standby/væk enheden Hold: Tænd/sluk
5	Optagelsestast	Tryk: Billedoptagelse Hold: Udløserkalibrering
6	Måletast	Tryk: Mål afstanden med laser Hold: Tag billede
7	Menu tast	Tryk: Paletter Hold: Åbn/luk menuen
8	Hjul	Justering af digital zoom; valg af funktioner i menu tilstand.

Nr.	Beskrivelse	Funktion
9	Grænseflade til type C	Slut enheden til strømforsyningen; slut enheden til din PC for at eksportere filer.
10	Okularer	Se målet, og justér dioptrien.
11	Fokusring	Justér for at stille skarpt.
12	Lysdiode	Angiver, om enheden er tændt eller slukket.

#### Bemærk:

Tryk samtidig på tasten Mål/Optagelse og tasten Menu for at starte eller stoppe en optagelse.

Tryk samtidig på afbrydertasten, tasten Mål/Optagelse og tasten Menu for at åbne den skjulte menu.

#### Ilægning af batteri (Side 4 - B)

##### Trin

1. Tryk og skub låsen til batterirummet (vist i den sorte ramme), drej batteridækslet mod uret, indtil mærkerne på batteridækslet og enheden matcher, og tag batteridækslet af.
2. Læg batteriet i batterirummet med mærket + vendt indad.
3. Flugt mærkerne på batteridækslet og enheden, og sæt batteridækslet på batterirummet.
4. Drej batteridækslet med uret for at skrue det fast.

#### Bemærk:

Tag batterierne ud, hvis du ikke skal bruge enheden i længere tid.

#### Brugervejledning



#### Juridiske oplysninger

©2022 Hangzhou Microimage Software Co., Ltd. Alle rettigheder forbeholdes.

#### Om denne vejledning

Vejledningen indeholder anvisninger om brug og håndtering af produktet. Billeder, diagrammer, illustrationer og alle øvrige oplysninger herefter tjener kun som beskrivelse og forklaring. Oplysningerne i vejledningen er med forbehold for ændring uden varsel på grund af opdateringer af firmware eller andre årsager. Du kan finde den seneste udgave af vejledningen på webstedet for HIKMICRO ([www.hikmicrotech.com/](http://www.hikmicrotech.com/)).

Brug brugervejledningen under vejledning af og med hjælp fra fagfolk, der er uddannet i understøttelse af produktet.

#### Varemærker

 andre af HIKMICRO's varemærker og logoer tilhører HIKMICRO i forskellige lande.

Andre nævnte varemærker og logoer tilhører deres respektive ejere.

#### ANSVARSRFRASKRIVELSE

VEJLEDNINGEN OG DET HERI BESKREVNE PRODUKT, INKL. HARDWARE, SOFTWARE OG FIRMWARE, LEVERES I STØRST MULIGT OMFANG,

DER ER TILLADT VED LOV, "SOM DET ER OG FOREFINDES" OG "MED ALLE DEFEKTER OG FEJL". HIKMICRO UDSTEDER INGEN GARANTIER, HVERKEN UDTRYKKELIGE ELLER UNDERFORSTÅEDE, INKL. UDEN BEGRÆNSNING, VEDRØRENDE SALGBARHED, TILFREDSSTILLENDE KVALITET ELLER EGNETHED TIL ET BESTEMT FORMÅL. DIN BRUG AF PRODUKTET SKER PÅ DIN EGEN RISIKO. UNDER INGEN OMSTÅNDIGHEDER ER HIKMICRO ANSVARLIG OVER FOR DIG FOR SÆRLIGE SKADER, HÆNDelige SKADER, FØLGESKADER ELLER INDIREKTE SKADER, INKL. BL.A., SKADER SOM FØLGE AF DRIFTSTAB, DRIFTSFORSTYRELSELER ELLER TAB AF DATA, BESKADIGELSE AF SYSTEMER ELLER TAB AF DOKUMENTATION, UANSET OM DET ER BASERET PÅ KONTRAKTBRUD, SKADEVOLDENDE HANDLINGER (HERUNDER UAGTSOMHED), PRODUKTANSVAR ELLER PÅ ANDEN MÅDE I FORBINDELSE MED BRUGEN AF PRODUKTET, SELVOM HIKMICRO ER BLEVET UNDERRETET OM MULIGHEDEN FOR SÅDANNE SKADER. DU ANERKENDE, AT INTERNETTET INDEHOLDER INDBYGGEDE SIKKERHEDSRISICI. HIKMICRO PÅTAGER SIG INTET ANSVAR FOR UNORMAL DRIFT, LÆKAGE AF PERSONLIGE OPLYSNINGER ELLER ANDRE SKADER SOM FØLGE AF CYBERANGREB, HACKERANGREB, VIRUSÅNGREB ELLER ANDRE INTERNETSikkerhedsrisici. HIKMICRO VIL DOG YDE EVENTUEL NØDVENDIG OG RETTIDIG TEKNISK SUPPORT.

DU ERKLÆRER DIG INDFORSTÅET MED AT BRUGE PRODUKTET I OVERENSSTEMMELSE MED ALLE GÆLDENDE LOVE, OG DU ER ENEANSVARLIG FOR AT SIKRE, AT DIN BRUG OVERHOLDER AL GÆLDENDE LOVGIVNING. DU ER ISÆR ANSVARLIG FOR AT BRUGE PRODUKTET PÅ EN MÅDE, DER IKKE KRÆNKER TREDJEPARTERS RETTIGHEDER, HERUNDER, UDEN BEGRÆNSNING, RETTIGHEDER VEDRØRENDE OFFENTLIG OMTALE, INTELLEKTUELLE EJENDOMSRETTIGHEDER ELLER RETTIGHEDER VEDRØRENDE DATABESKYTTELSE OG ANDRE RETTIGHEDER VEDRØRENDE PERSONLIGE OPLYSNINGER. DU MÅ IKKE BRUGE PRODUKTET TIL ULOVLIG JAGT PÅ DYR, INVASION AF PRIVATLIV ELLER ETHVERT ANDET FORMÅL, DER ER ULOVLIGT ELLER I MODSTRID MED DEN OFFENTLIGE INTERESSE. DU MÅ IKKE BRUGE PRODUKTET TIL FORBUDTE SLUTANVENDELSER, HERUNDER UDVIKLING ELLER FREMSTILLING AF MASSEØDELÆGGELSESVÅBEN, UDVIKLING ELLER PRODUKTION AF KEMISKE ELLER BIOLOGISKE VÅBEN, AKTIVITETER I DEN KONTEKST, DER ER KNYTTET TIL ATOMBOMBER ELLER USIKKERT REAKTORBRÆNDSEL, ELLER SOM STØTTE TIL OVERTRÆDELSE AF MENNESKERETTIGHEDER. I TILFÆLDE AF UOVERENSSTEMMELSE MELLEM VEJLEDNINGEN OG GÆLDENDE LOVGIVNING GÆLDER SIDSTNÆVNTE.

#### Lovgivningsmæssige oplysninger

Disse bestemmelser gælder kun for produkter, der er forsynet med det relevante mærke eller oplysninger.

#### EU-overensstemmelseserklæring



Produktet og eventuelt medfølgende tilbehør er mærket "CE" og opfylder derfor de gældende harmoniserede

europæiske standarder, der er anført i EU-direktiv 2014/53/EU (RED), EU-direktiv 2014/30/EU (EMCD), EU-direktiv 2014/35/EU (LVD) og EU-direktiv 2011/65/EU (RoHS).



EU-direktiv 2012/19/EU (WEEE-direktivet): Produkter, der er mærket med dette symbol, kan ikke bortskaffes som almindeligt

husholdningsaffald i EU. Med henblik på korrekt genbrug skal du aflevere produktet til din lokale leverandør ved køb af tilsvarende nyt udstyr eller aflevere det på et dertil indrettet indleveringssted. Du kan få flere oplysninger her: [www.recyclethis.info](http://www.recyclethis.info)



Direktiv 2006/66/EF som ændret ved 2013/56/EU (batteridirektivet): Dette produkt indeholder et batteri, som ikke kan bortskaffes sammen med almindeligt

husholdningsaffald i EU. Find specifikke oplysninger om batteriet i produktdokumentationen. Batteriet er mærket med dette symbol, som kan indeholde blyoplader, der indikerer indhold af kadmium (Cd), bly (Pb) eller kviksølv (Hg). Med henblik på korrekt genbrug skal du aflevere batteriet til din leverandør eller til et dertil indrettet indleveringssted. For yderligere oplysninger se: [www.recyclethis.info](http://www.recyclethis.info).

### Sikkerhedsanvisninger

Disse anvisninger skal sikre, at brugeren kan anvende produktet korrekt og undgå fare eller tab af ejendom.

### Love og bestemmelser

Enheden skal anvendes i overensstemmelse med lokale love, sikkerhedsbestemmelser for elnettilslutning og brandforebyggelse.

### Transport

- Opbevar enheden i den oprindelige eller en lignende emballage, når den skal transporteres.
- Gem al emballage efter udpakningen til senere brug. Du skal bruge den originale emballage til at returnere enheden til fabrikken, hvis der opstår fejl.
- Transport uden den originale emballage kan medføre skade på enheden, og virksomheden tager intet ansvar derfor.
- Tab ikke produktet, og udsæt det ikke for fysiske stød. Hold enheden væk fra magnetisk forstyrrelse.

### Strømforsyning

- Enhedens indgangsspænding skal overholde LPS-kravene (5 V jævnstrøm, 2 A) iht. standarden IEC61010-1. Du kan finde nærmere oplysninger i de tekniske specifikationer.
- Batteriopladeren medfølger i pakken. Indgangsspændingen for den medfølgende batterioplader skal overholde kravene til den begrænsede strømkilde (LPS) (5 V jævnstrøm, 2A).
- Kontrollér, at stikket er sat godt i stikkontakten.
- Slut IKKE flere enheder til én strømadapter for at undgå overheding eller brandfare som følge af overbelastning.
- Brug en strømadapter fra en godkendt fabrikant. Se de nærmere krav til strøm i produktspecifikationen. Driftsmiljøet for adapteren skal svare til driftsmiljøet for enheden.

### Batteri

- Forkert brug eller udskiftning af batteriet kan resultere i fare for eksplosion. Udskift kun med samme eller tilsvarende type. Batteritypen er 18650 med beskyttelsesplade, og batteriets størrelse skal ligge inden for 19 x 70 mm. Den

nominelle spænding og kapacitet er 3,6 V jævnstrøm/3,35 Ah (12,06 Wh). Bortskaf brugte batterier i overensstemmelse med batteriproducentens vejledning.

- Oplad ikke andre batterityper med den medfølgende oplader. Sørg for, at der ikke befinder sig brændbare materialer inden for 2 m fra opladeren under opladning.
- Hvis batteriet skal opbevares i en længere periode, skal du sikre, at det oplades fuldt hvert halve år for at bevare batteriets ydeevne. Ellers kan der opstå skade.
- Batteriet må IKKE anbringes i nærheden af en varmekilde eller åben ild. Undgå direkte sollys.
- For at undgå kemisk forbrænding må batteriet IKKE sluges.
- Batteriet kan ikke oplades direkte ved hjælp af en ekstern strømkilde.
- Enheden kan ikke oplades. Brug den medfølgende oplader til at oplade batteriet.
- Udstyret er ikke egnet til brug på steder, hvor det er sandsynligt, at børn er til stede.
- FORSIGTIG: Der er eksplosionsfare, hvis batteriet udskiftes med en ukorrekt type.
- Udskiftning af batteriet med et batteri af forkert type kan sætte en sikkerhedsforanstaltning ud af kraft (gælder fx for visse litium-batterityper).
- Bortskaf ikke batteriet i åben ild eller en varm ovn. Knus ikke, og skær ikke i batteriet, da dette kan forårsage en eksplosion.
- Opbevar ikke batteriet i omgivelser med ekstremt høje temperaturer, da det kan medføre en eksplosion eller lækage af brandfarlig væske eller luftart.
- Udsæt ikke batteriet for omgivelser med ekstremt lavt lufttryk, da det kan medføre en eksplosion eller lækage af brandfarlig væske eller luftart.
- Bortskaf brugte batterier i henhold til anvisningerne.

### Vedligeholdelse

- Hvis produktet ikke virker korrekt, skal du kontakte din forhandler eller dit nærmeste servicecenter. Vi påtager os intet ansvar for problemer, der er forårsaget af uautoriseret reparation eller vedligeholdelse.
  - Tør enheden forsigtigt af med en ren klud og en lille mængde ætanol, hvis det er nødvendigt.
  - Hvis udstyret bruges på en måde, der ikke er angivet af producenten, kan den beskyttelse, der enheden giver, blive forringet.
  - Rengør objektivet med en blød og tør klud eller med aftøringspapir for at undgå at ridse det.
- ### Driftsmiljø
- Kontrollér, at driftsmiljøet opfylder enhedens krav. Driftstemperaturen skal ligge i området -30 °C til 55 °C (-22 °F til 131 °F), og driftsluftfugtigheden skal ligge i området 95 % eller derunder, uden kondens.
  - Enheden må IKKE udsættes for ekstremt varme, kolde, støvede, korroderende, salt- og alkaliholdige eller fugtige omgivelser.
  - Denne enhed kan kun bruges sikkert i områder op til 2.000 meter over havets overflade.
  - Undgå at installere udstyret på overflader med vibrationer eller steder, der udsættes for stød (manglende overholdelse kan forårsage skade på batteriet).
  - Objektivet må ikke rettes mod solen eller et stærkt lys.

### Nødsituation

Hvis enheden afgiver røg, lugt eller støj, skal du straks slukke for strømmen og trække strømkablet ud. Kontakt derefter servicecentret.

### Laser



Når der er et laserudstyr i brug, skal det kontrolleres, at enhedens objektiv ikke udsættes for laserstrålen, ellers kan det brænde ud. Laserstrålen, der udsendes fra enheden, kan forårsage øjenskade, forbrændinger på huden eller antændelse af brandbare stoffer. Før du aktiverer funktionen Supplerende lys, skal du sikre, at der ikke er personer eller brandbare stoffer foran laserobjektivet. Anbring ikke enheden et sted, der er tilgængeligt for børn.

#### Producentens adresse

Værelse 313, Enhed B, Bygning 2, 399 Danfeng Vej, Xixing Underdistrikt, Binjiang Distrikt, Hangzhou,

Zhejiang 310052, Kina  
Hangzhou Microimage Software Co., Ltd.

**MEDDELELSE OM OVERENSSTEMMELSE:**  
Produktene i den termografiske serie kan være underlagt eksportkontrol i forskellige lande eller områder, herunder, uden begrænsning, USA, EU, Storbritannien og/eller andre medlemslande i Wassenaar-afalen. Kontakt din professionelle jurakspert, ekspert i overensstemmelse eller de lokale offentlige myndigheder for at få oplysninger om kravene for eksportlicens, hvis du har til hensigt at overføre, eksportere eller geneksportere enheder i den termiske serie mellem forskellige lande.

**Norsk**



Produktets utseende er kun til referanse og kan avvike fra det faktiske produktet.

#### Kort beskrivelse

Det håndholdte termiske kikkertkamera er en håndholdt enhet med funksjoner for observasjon, trådløst Wi-Fi-punkt, varmesporing, tospektrert bildefusjon, avstandsmåling med laser osv. Den termiske detektoren er høysensitiv, slik at du ser helt klart til og med i stummende mørke.

Enheten er i hovedsak beregnet på utendørs bruk, som f.eks. jakt, søk og redning, fotturer og reiser. Enheten kan ta bilder og ta opp videoer, og parametrene kan stilles via HIKMICRO Sight-appen når den er koblet til telefonen via hot spot-funksjonalitet.

Søk etter HIKMICRO Sight i App Store (iOS-system) eller Google Play™ (Android-system) for å laste ned, eller skann QR-koden for å laste ned og installere appen.



Android-system



iOS-system

Frekvensbåndene og modusene og de nominelle grensene for overført effekt (utstrålt og/eller ledet) som gjelder for denne radioenheten er følgende:

Wi-Fi 2,4 GHz (2,4 GHz til 2,4835 GHz)	20 dBm
--	--------

#### Utseende (side 2 - A)

Det finnes to typer håndholdte termiske kikkertkameraer. Utseendet til de to typene er beskrevet nedenfor. Se på det faktiske produktet for referanse.

#### Knapper og komponenter

No.	Beskrivelse	Virkemåte
1	Termisk linse	Vis det termiske bildet.
2	Optisk linse	Vis det optiske bildet.
3	Laseravstandsmåler	Mål avstanden med laser.
4	Strømknapp	Trykk: standbymodus / vekk enheten

No.	Beskrivelse	Virkemåte
		Hold inne: Skru av/på
5	Innspillingsknapp	Trykk: Ta bilde Hold: utløs kalibrering
6	Måleknapp	Trykk: mål avstanden med laser Hold: ta bilde
7	Menyknapp	Trykk: Paletter Hold: aktiver/avslutt menyen
8	Hjul	Juster den digitale zoomen. Velg funksjoner i menymodus.
9	Type C-grensesnitt	Koble enheten til strømadapteren. Koble enheten til PC-en for å eksportere filer.
10	Okularer	Vis målet, og juster dioptret.
11	Fokusring	Juster siktevisningen.
12	Indikator	Indiker om enheten er på/av.

#### Merk:

Trykk på målings-/innspillingsknappen og menyknappen samtidig for å starte eller stoppe opptak.

Trykk på av/på-knappen, målings-/innspillingsknappen og menyknappen samtidig for å åpne den skjulte menyen.

#### Monter batteriet (side 4 - B)

#### Instruksjoner

1. Trykk og skyv låsen til batterirommet (vises i den mørke rammen), roter batteridekslet mot klokken til merkene på batteridekslet og enheten er på linje, og ta deretter av batteridekslet.
2. Sett inn batteriet i batteriluken med plussymbolet vendt innover.
3. Tilpass merkene på batteridekselet med merkene på enheten, og sett på plass batteridekselet.
4. Roter batteridekslet med klokken for å feste det.

#### Merk:

Ta ut batteriet dersom du ikke skal bruke enheten på en lang stund.

## Brukerhåndbok



### Juridisk informasjon


©2022 Hangzhou Microimage Software Co., Ltd.  
Med enerett.

#### Om denne Brukerhåndboken

Denne brukerhåndboken forklarer hvordan produktet skal brukes og vedlikeholdes. Bilder, tabeller og all annen informasjon er kun ment som beskrivelser og forklaringer. Informasjonen i brukerhåndboken kan bli endret uten varsel, f.eks. på grunn av fastvareoppdateringer. Du finner den nyeste versjonen av denne håndboken på nettstedet til HIKMICRO ([www.hikmicrotech.com/](http://www.hikmicrotech.com/)).

Bruk denne håndboken i kombinasjon med hjelp fra profesjonelle fagfolk når du bruker produktet.

#### Varemerker

 og andre av HIKMICROs varemerker og logoer eies av HIKMICRO i forskjellige juridiksjoner.

Andre varemerker og logoer som presenteres, tilhører sine respektive eiere.

#### JURIDISK ADVARSEL

DENNE HÅNDBOKEN OG PRODUKTET DEN GJELDER FOR (MASKINVARE, FASTVARE OG PROGRAMVARE) LEVERES «SOM DET ER», INKLUDERT ALLE FEIL OG MÅNGLER, TIL DEN GRAD DETTE TILLATES AV GJELDENDE LOVVERK. HIKMICRO GIR INGEN GARANTIER, HVERKEN DIREKTE ELLER UNDERFORSTÅTTE, OM BLANT ANNET SALGBARHET, TILFREDSTILLENDE KVALITET ELLER EGNETHET FOR SPESIFIKKE FORMÅL. ALL BRUK AV PRODUKTET SKJER UTELUKKENDE PÅ DIN EGEN RISIKO. HIKMICRO ER IKKE UNDER NOEN OMSTENDIGHETER ANSVARLIGE OVERFOR DEG FOR EVENTUELLE SPESIELLE SKADER. FØLGESKADER, TILFELDIGE SKADER ELLER INDIREKTE SKADER, INKLUDERT BLANT ANNET TAP AV FORTJENESTE, AVBRUDD I FORRETNINGSDRIFT, TAP AV DATA, SKADER PÅ DATASYSTEMER ELLER TAP AV DOKUMENTASJON SOM OPPSTÅR I FORBINDELSE MED BRUKEN AV DETTE PRODUKTET, UAVHENGIG AV OM DETTE SKJER GRUNNET KONTRAKTSBRUDD, FØRSØMMELSE, PRODUKTFEIL ELLER ANNET, SELV NÅR HIKMICRO HAR BLITT VARSLT OM AT SLIKE SKADER KAN OPPSTÅ.

DU ERKJENNER AT SIKKERHETSRIKISOER LIGGER I INTERNETTS NATUR, OG AT HIKMICRO IKKE TAR NOE ANSVAR FOR UNORMAL DRIFT, LEKKASJER AV PERSONVERN ELLER ANDRE SKADER SOM FØLGER AV CYBERANGREP, VIRUSINFISERING ELLER ANDRE INTERNETTRISIKOER. I MIDLERTID VIL HIKMICRO LEVERER TIDLIG TEKNISK SUPPORT HVIS NØDVENDIG.


DU GODTAR Å BRUKE DETTE PRODUKTET I SAMSVAR MED ALLE GJELDENDE LOVER, OG AT DU ER ENEANSVARLIG FOR Å FORSIKRE DEG OM AT DIN BRUK SKJER I SAMSVAR MED GJELDENDE LOVER. SPESIFIKT NEVNES AT DU ER ANSVARLIG

FOR Å BRUKE DETTE PRODUKTET PÅ EN MÅTE SOM IKKE KRENKER RETTIGHETENE TIL TREDJEPARTER, BLANT ANNET RETT TIL PUBLISERING, IMMATERIELLE EIENDOMSRETTIGHETER ELLER LOVER OM DATABESKYTTELSE OG PERSONVERN. DU MÅ IKKE BRUKE DETTE PRODUKTET TIL ULOVLIG JAKT PÅ DYR, BRUDD PÅ PRIVATLIVETS FRED ELLER ANDRE FORMÅL SOM ER ULOVLIGE ELLER STRIDER MOT OFFENTLIGHETENS INTERESSER. DU SKAL IKKE BRUKE PRODUKTET TIL ULOVLIGE FORMÅL, BLANT ANNET UTVIKLING ELLER PRODUKSJON AV MASSEØDELEGGESVÅPEN, UTVIKLING ELLER PRODUKSJON AV KJEMISKE OG BIOLOGISKE VÅPEN, ENHVER FORM FOR AKTIVITET KNYTTET TIL KJERNEVÅPEN ELLER UTRYGG BRUK AV KJERNEFYSISK MATERIALE ELLER I FORBINDELSE MED BRUDD PÅ MENNESKERETTIGHETENE. HVIS DET OPPSTÅR KONFLIKTER MELLOM BRUKERHÅNDBOKEN OG GJELDENDE LOVVERK, ER DET SISTNEVNTTE SOM GJELDER.


#### Regulatorisk informasjon

Disse klausulene gjelder kun for produktene med det tilsvarende merket eller informasjonen.

#### Samsvarserklæring for EU

 Dette produktet og eventuelt tilbehør er merket med «CE» og samsvarer derfor med de gjeldende europeiske standardene som er beskrevet under direktivet 2014/53/EU (RED), EMC-direktivet 2014/30/EU (EMCD), direktiv 2014/35/EU (LVD) og direktiv 2011/65/EU (ROHS).

 Direktiv 2012/19/EU (WEEE-direktiv): Produkter som er merket med dette symbolet kan ikke kastes som restavfall innenfor EU. Produktet skal returneres for resirkulering, enten til en forhandler/leverandør eller på en miljøstasjon eller et lignende, godkjent mottakssted. For mer informasjon, se: [www.recyclethis.info](http://www.recyclethis.info)

 Direktiv 2006/66/EC og tillegg 2013/56/EU (batteridirektiv): Dette produktet inneholder et batteri som ikke kan kastes som restavfall innenfor EU. Se produktinformasjonen for spesifikk informasjon om batteriet. Batteriet er merket med dette symbolet, som også kan inneholde bokstaver for å indikere at det inneholder kadmium (Cd), bly (Pb) eller kvikksølv (Hg). Batteriet skal returneres for resirkulering, enten til en forhandler/leverandør eller til et godkjent mottakssted. For mer informasjon, se [www.recyclethis.info](http://www.recyclethis.info).

#### Sikkerhetsinstruksjoner

Formålet med disse instruksjonene er at brukeren skal kunne bruke produktet riktig for å unngå skade og tap av eiendom.

#### Lover og forskrifter

Enheten bør brukes i samsvar med lokal lovgivning, forskrifter for elektrisk sikkerhet og brannforskrifter.

#### Transport

- Enheten skal oppbevares i den originale emballasjen (eller lignende) under transport.
- Oppbevar all emballasje etter åpning for fremtidig bruk. I tilfelle det oppstår feil, må du returnere enheten til fabrikkens i den originale emballasjen.

- Transport uten den originale emballasjen kan føre til skader på enheter, et ansvar som ikke dekkes av selskapet.
- Produktet må ikke slippes i bakken eller utsettes for fysiske støt. Hold enheten borte fra magnetiske forstyrrelser.

#### Strømforsyning

- Inngangsspenningen til enheten må oppfylle Limited Power Source (5 VDC, 2 A) i samsvar med IEC61010-1 standarden. Les den tekniske dokumentasjonen for mer informasjon.
- Batteriladeren følger med i pakken. Inngangseffekten for batteriladeren skal overholde kravene til begrenset strømkilde (5 V DC, 2 A).
- Sørg for at kontakten er satt riktig inn i stikkkontakten.
- Koble IKKE flere enheter til ett strømadapter. Overbelastning av adapteren kan føre til overoppheting og brannfare.
- Bruk en strømadapter fra en kvalifisert produsent. Les produktinformasjonen for mer informasjon om strømkravene. Bruksomgivelsene til adapteren må være lik omgivelsene til enheten.

#### Batteri

- Feil bruk eller bytte av batteriet kan medføre eksplosjonsfare. Erstatt det kun med samme eller tilsvarende type. Batteriet er av type 18650 med beskyttelsestavle, og batteristørrelsen skal være 19 mm x 70 mm. Den angitte spenningen og kapasiteten er 3,6 V DC / 3,35 Ah (12,06 Wh). Avhengig av brukte batterier skjer i samsvar med instruksjonene gitt av batteriprodusenten.
- Ikke lad andre batterityper med den leverte laderen. Bekreft at det ikke finnes brennbart materiale innenfor 2 m fra laderen under lading.
- Ved langvarig lagring må batteriet fullades hvert halvår for å bevare batterikvaliteten. Hvis ikke kan det oppstå skader.
- IKKE plasser batteriet i nærheten av oppvarming eller åpen ild. Unngå direkte sollys.
- IKKE sveig batteriet for å unngå kjemiske brannskader.
- Batteriet kan ikke lades direkte fra en ekstern strømkilde.
- Enheten kan ikke lades, vennligst bruk den medfølgende laderen for å lade batteriet.
- Dette utstyret er ikke egnet for bruk på steder hvor det er mulighet for at barn oppholder seg.
- FORSIKTIG: Det kan oppstå eksplosjonsfare hvis batteriet blir skiftet ut med feil type batteri.
- Uriktig erstatning av batteriet med feil type, kan ødelegge en sikkerhetsinnretning (ved f.eks. enkelte litiumbatterityper).
- Batteriet må ikke kastes i ild eller en varm ovn, og det må heller ikke knuses eller deles da dette kan føre til en eksplosjon.
- Batteriet må ikke utsettes for ekstremt høy temperatur. Det kan forårsake eksplosjon eller lekkasje av brennbar væske eller gass.
- Batteriet må ikke utsettes for ekstremt lavt lufttrykk. Det kan forårsake eksplosjon eller lekkasje av brennbar væske eller gass.

- Kast brukte batterier i samsvar med instruksjonene.

#### Vedlikehold

- Hvis produktet ikke fungerer som det skal, må du kontakte forhandleren eller nærmeste servicesenter. Vi har ikke noe som helst ansvar for problemer forbundet med uautorisert reparasjon eller vedlikehold.
- Tørk forsiktig av enheten med en ren klut og en liten mengde etanol ved behov.
- Hvis enheten brukes på måter som ikke støttes av produsenten, kan enheten og funksjonene dens forringes.
- Rengjør dekslet med en myk, tørr klut eller tørkepapir for å unngå riper.

#### Bruksomgivelser

- Sørg for at bruksomgivelsene oppfylle kravene til enheten. Driftstemperaturen må være mellom -30 °C og 55 °C (-22 °F og 131 °F) og driftsfuktigheten må være 95 % eller mindre, ingen kondens.
- IKKE utsett utstyret for ekstrem varme, kulde, støv, korroderende, saltholdige eller alkaliske miljøer eller fuktige miljøer.
- Unngå å sette utstyret på vibrerende overflater eller på steder hvor det kan utsettes for sjokk (hvis dette glemmes, kan utstyret skades).
- Linsen må ikke rettes mot solen eller andre sterke lyskilder.

#### Nød

Hvis det kommer røyk, lukt eller støv fra enheten, må du øyeblikkelig skru av strømmen, trekke ut strømledningen og kontakte et servicesenter.

#### Laser



Når laserutstyr er i bruk, må det sørges for at enhetens linse ikke eksponeres for laserstrålen for å unngå at den brenner ut. Laserstrålingen som enheten avgir kan forårsake øyeskader, brannskader eller brennbare stoffer. Før Lyssupplement-funksjonen aktiveres, må du kontrollere at ingen personer eller brennbare stoffer er plassert foran laserlinjen. Ikke plasser utstyret i nærheten av mindreårige.

#### Produsentens adresse

Rom 313, enhet B, bygning 2, 399 Danfeng-veien, Xixing Subdistrict, Binjiang-distriktet, Hangzhou, Zhejiang 310052, Kina  
Hangzhou Microimage Software Co., Ltd.

**MERKNAD OM SAMSVAR:** Produktene i termoserien kan bli underlagt eksportkontroller i forskjellige land eller regioner, inkludert, uten begrensning, USA, Den europeiske union, Storbritannia og Nord-Irland og/eller andre medlemsland i Wassenaar-avtalen. Snakk med din profesjonelle juridiske ekspert eller samsvarsekspert, eller lokale myndigheter for eventuelle nødvendige eksportlisenskrav hvis du ønsker å overføre, eksportere, re-eksportere termoserie-produkter mellom forskjellige land.

**Suomi**



Tuotteen ulkonäkö on vain viitteellinen ja voi poiketa todellisesta tuotteesta.

#### Lyyhtä kuvaus

Kädessä pidettävä yksilönsäinen lämpökamera on kannettava laite, jonka toimintoihin lukeutuvat tarkkailu, Wi-Fi-yhteyspiste, kuuman kohteen seuranta, kaksoispektrikuvaus, laseretäisyysmittaus ja niin edelleen. Erittäin herkkä, sisäänrakennettu lämpöilmaisim

mahdollistaa selkeän näytön myös täydellisessä pimeydessä.

Laitetta käytetään pääasiassa ulkoilutoimintaan, kuten metsästyksen, etsintään ja pelastamiseen, retkeilyyn ja matkustamiseen.

Laitteella voidaan ottaa tilannekuvia, taltioida videoita ja asettaa parametreja HIKMICRO Sight -sovelluksella, kun se on yhdistetty puhelimeen yhteispisteen kautta.

Lataa sovellus etsimällä HIKMICRO Sight -nimellä



App Storesta (iOS-järjestelmä) tai Google Play™-kaupasta (Android-järjestelmä) tai skannaamalla QR-koodi ja lataa ja asenna sovellus.



Android-käyttöjärjestelmä



iOS-käyttöjärjestelmä

Tähän radiolaitteeseen sovellettavat taajuuksikaistat ja -tilat sekä lähetetyn tehon (säteilävän ja/tai voimalinjaperäisen) nimellisarajat ovat seuraavat:

Wi-Fi 2,4 GHz (2,4–2,4835 GHz)	20 dBm
--------------------------------	--------

### Ulkoasu (sivu 2 – A)

Kannettavia monokulaarisia lämpökameroita on kaksi tyyppiä. Alla on kuvattu näiden kahden lämpökameran ulkoasu. Katso todellisen tuotteen mallin mukaan.

#### Painikkeet ja osat

Nro	Kuvaus	Toiminto
1	Lämpölinssi	Katso lämpökuvaa.
2	Optinen linssi	Katso optista kuvaa.
3	Laserteleometri	Mittaa etäisyys laserilla.
4	Virtapainike	Paina: valmiustila / aktivoi laite Pidä painettuna: virta päälle/pois
5	Kuvauspainike	Paina: ota kuva Pidä painettuna: käynnistä kalibrointi
6	Mittapainike	Paina: mittaa etäisyys laserilla Pidä painettuna: kuvaa
7	Valikkopainike	Paina: väripaletit Pidä painettuna: siirry valikkoon / poistu valikosta
8	Pyörä	Säädä digitaalista zoomausta tai valitse toimintoja valikkotilassa
9	Type-C-liitäntä	Liitä laite virtasovittimeen tai liitä laite tietokoneeseen tiedostojen viientä varten.
10	Okulaarit	Katso kohdetta ja säädä diopteria.
11	Tarkennusrenkas	Säädä näkymää.
12	Merkkivalo	Ilmaisee laitteen päällä/pois-tilan.

#### Huomautus:

Käynnistä tai pysäytä tallennus painamalla mittapainiketta/sieppauspainiketta ja valikkopainiketta samanaikaisesti. Siirry piilossa olevaan valikkoon painamalla virtapainiketta,

mittapainiketta/sieppauspainiketta ja valikkopainiketta samanaikaisesti.  
**Akun laittaminen paikalleen (sivu 4 – B)**

#### Vaiheet

1. Paina ja työnnä (mustassa kehyksessä näkyvää) akkulokeron lukituspainiketta ylös, kierrä akkulokeron kantta vastapäivään, kunnes kannessa ja laitteessa olevat merkit ovat kohdakkain, ja irrota sitten akkulokeron kansi.
2. Työnnä akku akkulokeroon positiivinen merkki sisäänpäin.
3. Kohdistaa akkulokeron kannen ja laitteen merkit ja aseta akkulokeron kansi paikalleen.
4. Kiinnitä akkulokeron kansi kiertämällä sitä myötäpäivään.

#### Huomautus:

poista paristot, jos et käytä laitetta pitkään aikaan.

#### Käyttöopas



#### Oikeudelliset tiedot


©2022 Hangzhou Microimage Software Co., Ltd.  
Kaikki oikeudet pidätetään.

#### Tietoa käyttöohjeesta

Käyttöohjeessa on ohjeita tuotteen käyttämiseen ja hallintaan liittyen. Kuvat, kaaviot ja muut tiedot ovat tästä eteenpäin ainoastaan kuvaus- ja selitystarkoituksiin. Käyttöohjeen sisältämiä tietoja voidaan muuttaa ilman erillistä ilmoitusta laiteohjelmiston päivityksen vuoksi tai muusta syystä. Etsi tämän käyttöoppaan viimeisin versio HIKMICRO-verkkosivustolta ([www.hikmicrotech.com/](http://www.hikmicrotech.com/)).

Käytä tätä käyttöoppasta ohjeena ja tuotteen käyttöön koulutettujen ammattilaisten apuna.

#### Tavaramerkki

 ja muut HIKMICRO-yhtiön tavaramerkit ja logot ovat HIKMICRO-yhtiön omaisuutta eri lainkäyttöalueilla.

Muut mainitut tavaramerkit ja logot ovat omistajiensa omaisuutta.

#### VASTUUVAPAAUSLAUSEKE

TÄMÄ KÄYTTÖOPAS JA KUVATTU TUOTE (SISÄLTÄÄ LAITTEISTON, OHJELMISTON JA LAITEOHJELMISTON) TOIMITETAAN SELLAISENAAN KAIKKEIN VIKOINEEN JA VIRHEINEEN SIINÄ MÄÄRIN KUIN SOVELLETTAVAT LAIT SEN SALLIVAT. HIKMICRO EI ANNA MITÄÄN NIMEENOMAISIA TAI EPÄSUORIA TAKUITA, MUKAAN LUKIEN NÄIHIN KUITENKAAN RAJOITTUMATTA, MYYNTIKELPOISUUS, TYYDYTTÄVÄ LAATU TAI SOVELTUVUUS TIETTYYN KÄYTTÖTARKEUTUKSEEN. TUOTTEEN KÄYTTÖ ON TÄYSIN OMALLA VASTUULLASI. HIKMICRO EI OLE MISSÄÄN TAPAUKSESSA VASTUUSSA SINULLE MISTÄÄN TUOTTEEN KÄYTTÄMISEEN LIITTYVISTÄ ERITYISISTÄ, SEURAAMUKSELLISISTA, TAHATTOMISTA TAI EPÄSUORISTA VAHINGOISTA, MUKAAN LUKIEN MUIDEN LISÄKSI LIIKETOIMINNAN TUOTON MENETTÄMINEN, LIIKETOIMINNAN KESKEYTYMINEN, TIETOJEN MENETTÄMINEN, JÄRJESTELMIEN VAHINGOITUMINEN, DOKUMENTAATION



MENETTÄMINEN, RIIPPUMATTA SIITÄ, ONKO KYSEESSÄ SOPIMUSRIKKOMUS, VAHINKO (MUKAAN LUKIEN HUOLITAMATTOMUUS), TUOTEVASTUU TAI MUU, VAIKKA HIKMICROLLE OULUI ILMOITETTU NÄIDEN VAHINKOJEN TAI MENETYSTEN MAHDOLLISUUDESTA.

HYVÄKSYT, ETTÄ INTERNET SISÄLTÄÄ LUONNOSTAAN TIETOTURVARISKEJÄ, EIKÄ HIKMICRO OLE VASTUUSIA EPÄNORMAALISTA TOIMINNASTA, YKSITYISTIETOJEN VUOTAMISESTA TAI MUISTA VAHINGOISTA, JOTKA JOHTUVAT TAVUTUSKOHYÖKKÄYKSISTÄ, HAKKERIHYÖKKÄYKSISTÄ, VIRUSTARTUNNASTA TAI MUISTA TIETOTURVARISKEISTA, MUTTA HIKMICRO TARJOAA TARVITTAESSA TEKNISTÄ TUKEA.

SAOSTUT KÄYTTÄMÄÄN TÄTÄ TUOTETTA KAIKKIEN SOVELLETTAVISSA OLEVIEN LAKIEN MUKAISESTI, JA OLET YKSIN VASTUUSSA SEN VARMISTAMISESTA, ETTÄ KÄYTTÖSI NOUDATTAO SOVELLETTAVISSA OLEVAA LAKIA. OLET ERITYISESTI VASTUUSSA TÄMÄN TUOTTEEN KÄYTTÄMISESTÄ SELLAISELLA TAVALLA, ETTÄ KÄYTTÖ EI RIKO KOLMANSIEN OSAPUOLTEN OIKEUKSIA, MUKAAN LUKIEN MUTTA NÄIHIN RAJOITUMATTA, JULKAISUOIKEUS, IMMATERIAALIOIKEUDET TAI TIETOSUOJA JA MUUT YKSITYISYHDEN SUOJAT. SINULLA EI OLE LUPAA KÄYTTÄÄ TÄTÄ LAITETTA LAITTOOMAAN METSÄSTYKSEEN, YKSITYISYHDEN LOUKKAAMISEEN TAI MUIHIN LAITTOMIIN TAI HAITALLISESTI YLEISEEN ETUUN VAIKUTTAVIIN TARKOITUKSIIN. SINULLA EI OLE LUPAA KÄYTTÄÄ TÄTÄ TUOTETTA MIHINKÄÄN KIELLETTYYN TARKOITUKSEEN, MUKAAN LUKIEN JOUKKOTUHOASEIDEN KEHITYS TAI TUOTANTO, KEMIAALISEN TAI BIOLOGISETEN ASEIDEN KEHITYS TAI TUOTANTO TAI MIHINKÄÄN TOIMINTOIHIN, JOTKA LIITTYVÄT MIHINKÄÄN YDINASEESEEN TAI VAARALLISEEN YDINPOLTOAINEKIERTOON TAI IHMISOIKEUKSIEN RIKKOMISEN TUKEMISEEN. MIKÄLI TÄMÄ KÄYTTÖOPAS JA SOVELLETTAVA LÄKI OVAT RISTIRIIDASSA, SOVELLETAAN JÄLKIMMÄISTÄ.

**Sääntelyä koskevat tiedot**

**Näitä lausekkeita sovelletaan ainoastaan tuotteisiin, joissa on vastaava merkki tai tieto.**

## EU-vaatimusten mukaisuusvakuutus



Tämä tuote ja sen lisälaitteet, mikäli ne ovat käytössä, on merkitty CE-merkinnällä, ja ne täyttävät siten

sovellettavat yhdenmukaiset euroopalaiset standardit, jotka on lueltu radiolaitedirektiivissä 2014/53/EU, EMC-direktiivissä 2014/30/EU, pienjännittdirektiivissä 2014/35/EU ja RoHS-direktiivissä 2011/65/EU.



Direktiivi 2012/19/EU (WEEE-direktiivi): Tällä symbolilla merkittyjä tuotteita ei saa hävittää lajittelemattoman

yhdyksuntajätteen mukana Euroopan unionissa. Kierrätä tuote asianmukaisesti palauttamalla se paikalliselle myyjälle vastaan otuvan laitteen hankkimisen yhteydessä tai viemällä se asianmukaiseen keräyspisteeseen. Lisätietoja: [www.recyclethis.info](http://www.recyclethis.info)

Direktiivi 2006/66/EY ja sen muutosdirektiivi 2013/56/EU (paristo- ja akkudirektiivi): Tässä



tuotteessa on paristo tai akku, jota ei saa hävittää lajittelemattoman yhdyskuntajätteen mukana Euroopan unionissa. Lisätietoja paristosta tai akusta on tuotteen asiakirjoissa. Paristo tai akku on merkitty tällä symbolilla, ja siihen voi sisältyä käytetyn aineen eli kadmiumin (Cd), lyijyn (Pb) tai elohopean (Hg) kirjainmerkintä. Kierrätä paristo tai akku asianmukaisesti viemällä se myyjälle tai asianmukaiseen keräyspisteeseen. Lisätietoja: [www.recyclethis.info](http://www.recyclethis.info).

## Turvallisuusohjeet

Näiden ohjeiden tarkoituksena on varmistaa, että käyttäjä voi käyttää laitetta oikein ja välttää vaaratilanteet tai omaisuusvahingot.

## Lait ja määräykset

Laitetta tulee käyttää paikallisten lakien, sähköturvallisuutta koskevien määräysten ja palontorjuntamääräysten mukaisesti.

## Kuljetus

- Säilytä laitetta alkuperäispakkauksessaan tai sitä vastaavassa pakkauksessa, kun kuljetat sitä.
- Säilytä kaikki pakkaukset myöhempästä käytöstä varten. Jos laitteeseen tulee vika, laite on palautettava tehtaallean alkuperäispakkauksessaan.
- Kuljettaminen muussa kuin alkuperäispakkauksessa voi johtaa laitteen vahingoittumiseen, eikä yritys ota siitä mitään vastuuta.
- Älä pudota tuotetta tai altista sitä iskuille. Pidä laite loitolla magneettisesta liittimestä.

## Virtälähde

- Laitteen tulojännitteen on vastattava LPS-virtälähteelle (5 V DC, 2 A) asetettuja vaatimuksia IEC61010-1-standardin mukaisesti. Lisätietoa on tuotteen teknisissä tiedoissa.
- Akkulaturi sisältyy toimitukseen. Toimitetun akkulaturin tulojännitteen on vastattava LPS-virtälähteelle (5 V DC, 2 A) asetettuja vaatimuksia.
- Varmista, että pistoke on liitetty oikein pistorasiaan.
- ÄLÄ liitä useita laitteita samaan virtasovittimeen ylikuormituksesta aiheutuvan tulipalovaaran välttämiseksi.
- Käytä pätevän valmistajan toimittamaa virtasovittinta. Tuotteen teknisissä tiedoissa on lisätietoa virtaa koskevista vaatimuksista. Virtasovittimen käyttöympäristön pitää vastata laitteen käyttöympäristöä.

## Akku

- Akun tai pariston virheellinen käyttö tai vaihtaminen voi aiheuttaa räjähdysvaaran. Vaihda akku tai paristo ainoastaan samanlaiseen tai vastaavaan tuotteeseen. Suojapiirillisen akun tyyppi on 18650 ja akun koko 19 x 70 mm. Nimellijännite ja kapasiteetti ovat 3,6 V DC / 3,35 Ah (12,06 Wh). Hävitätä käytetyt akut ja paristot valmistajan antamien ohjeiden mukaisesti.
- Älä lataa muita akkutyyppejä mukana toimitetulla laturilla. Varmista, että kahden metrin säteellä laturista ei ole syttyvää materiaalia latauksen aikana.
- Kun akkua varastoidaan pitkän aikaa, varmista, että se ladataan täyteen puolen vuoden välein. Näin varmistetaan akun suorituskyvyn säilyminen. Muuten voi syntyä vahinkoja.
- ÄLÄ laita akkua lämmönlähteen tai tulen lähelle. Vältä suoraa auringonvaloa.
- ÄLÄ nielaise akkua, sillä se voi aiheuttaa syöpymävammoja.
- Akkua ei voi ladata suoraan ulkoisella virtälähteellä.

- Laitetta ei voi ladata, käytä mukana toimitettua laturia akun lataamiseen.
- Laite ei sovellu käytettäväksi paikoissa, joissa voi olla lapsia.
- HUOMIO: Räjähdyksivaara, jos akku vaihdetaan väärän tyyppiseen.
- Akun vaihtaminen väärän tyyppiseen voi tehdä suojaukset tehottomiksi (esimerkiksi tietyillä litiumakkutyypeillä).
- Älä hävitä akkua tuleen tai kuumaan uuniin tai murskaa tai leikkaa akkua mekaanisesti, sillä ne voivat aiheuttaa räjähdyskes.
- Älä jätä akkua erittäin korkean lämpötilan ympäristöön, sillä se voi aiheuttaa räjähdyskes tai syttyvän nesteen tai kaasun vuotamisen.
- Älä altista akkua erittäin matalalle ilmanpaineelle, sillä se voi aiheuttaa räjähdyskes tai syttyvän nesteen tai kaasun vuotamisen.
- Hävität käytetyt paristot ja akut ohjeiden mukaisesti.

#### Kunnossapito

- Jos tuote ei toimi oikein, ota yhteys jälleennytyään tai lähimpään huoltokeskukseen. Emme ole vastuussa ongelmista, jotka johtuvat luvattomista korjauks- tai huoltoista.
- Pyyhi laitteen pinnat varovaisesti puhtaalla liinalla ja tarvittaessa pienellä määrällä etanolia.
- Jos laitetta käytetään muulla kuin valmistajan määrittämällä tavalla, laitteen tarjoama suojaus saattaa heikentyä.
- Puhdista linssi pehmeällä ja kuivalla liinalla tai puhdistuspaperilla naarmuttamisen välttämiseksi.

#### Käyttöympäristö

- Varmista, että käyttöympäristö täyttää laitteelle määritetyt vaatimukset. Käyttölämpötilan tulee olla  $-30$ – $55$  °C, ja käyttöpaikan ilmastokosteus saa olla enintään 95 %, erikondensoitava.
- ÄLÄ altista laitetta erittäin kuumille, kylmille,

- pölyisille, syövyttävälle, kosteille tai suolaisille alkaliympäristöille.
- Vältä laitteen asettamista täriseville pinnoille tai iskultaisiin paikkoihin (laiminlyönti voi johtaa laitteen vaurioitumiseen).
- Älä suuntaa linssiä aurinkoon tai muuhun kirkkaseen valoon.

#### Hätä

Jos laitteesta erittyy savua tai hajua tai laite pitää ääntä, kytkä laitteen virta pois päältä, irrota virtajohto ja ota yhteyttä palvelukeskukseen.

#### Laser



Kun laserlaitetta käytetään, varmista, ettei lasersäde osu laitteen kennoon. Muussa tapauksessa kenno voi palaa. Laitteesta säteilevä lasersäteily voi aiheuttaa silmävammoja tai ihon ja sytytävien aineiden palamista. Ennen lisävalotoiminnon käyttöönottoa varmista, ettei laserlinssin edessä ole ihmisiä tai sytyttäviä aineita. Älä aseta laitetta alaikäisten ulottuville.

#### Valmistajan osoite

Huone 313, yksikkö B, rakennus 2, 399 Danfeng-tie, Xixing-alapiirikunta, Binjiang-piirikunta, Hangzhou, Zhejiang 310052, Kiina  
Hangzhou Microimage Software Co., Ltd.

#### VAATIMUSTENMUKAISUUSILMOITUS:

Lämpöteknologiatuotteisiin saattaa kohdistua ventiaalivontaa eri maissa tai alueilla, mukaan lukien rajoitukselta Yhdysvallat, Euroopan unioni, Yhdistynyt kuningaskunta ja/tai muut Wassenaarin järjestelyn jäsenmaat. Neuvottele oikeudellisen asiantuntijan tai vaatimustenmukaisuusasiantuntijan tai paikallisen viranomaisen kanssa saadaksetsi tietojia ventiaalivontavaihtoehtoja, jos aiot siirtää, viedä tai jälleenviedä lämpöteknologiatuotteita eri maihin.

### Svenska



Produktens utseende är enbart avsett som referens och kan skilja sig från den faktiska produkten.

#### Kort beskrivning

Den handhållna termiska monokulära kameran är en handhållen enhet med funktioner för observation, surfpunkt för Wi-Fi, spårning av hög temperatur, bi-spektrum bildfusion, laseravståndsmätning och så vidare. Den inbyggda termiska detektorn med hög känslighet ger dig en tydlig bild även i totalt mörker.

Enheten används främst för utomhusaktiviteter som jakt, letande och räddningsoperationer, vandring och resor.

Enheten kan ta stillbilder, spela in video och ställa in parametrar med appen HIKMICRO Sight efter anslutning till din telefon via en åtkomstpunkt.

Sök efter HIKMICRO Sight på App Store (iOS-system) eller Google Play™ (Android-system) för att ladda ned den, eller skanna QR-koden för att ladda ned och installera appen.



Android-system



System med iOS

Följande frekvensband, lägen och nominella

begränsningar av sändareffekt (utstrålad och/eller kopplad) gäller för denna radioenhet:

WiFi 2,4 GHz (2,4 till 2,4835 GHz)	20 dBm
---------------------------------------	--------

#### Utseende (sida 2 – A)

Det finns två typer av handhållna termiska tubkameror. Utseendet för de två typerna beskrivs nedan. Ha den faktiska kameran som referens.

#### Knappar och komponenter

Nr	Beskrivning	Funktion
1	Värmeobjektiv	Visar den termiska bilden.
2	Optisk lens	Visar den optiska bilden.
3	Laseravståndsmätare	Mäta avståndet med laser.
4	Strömknapp	Tryck: viloläge/aktivera enheten Håll intryckt: starta/stäng av
5	Knapp för att ta bild	Tryck: registrera Håll intryckt: kalibrera
6	Mätknapp	Tryck: mät avståndet med laser Håll intryckt: ta bild

Nr	Beskrivning	Funktion
7	Knapp för meny	Tryck: paletter Håll intryckt: gå till/avsluta menyen
8	Hjul	Justera digital zoom; välj funktioner i menyläge.
9	Gränssnitt av typ-C	Anslut enheten till strömadapter; anslut enheten till datorn för att exportera filer.
10	Okular	Visa målet och justera dioptern.
11	Fokusering	Justera siktesvyn.
12	Indikator	Indikera på-/avläge för enheten.

### Obs!

Tryck in mättnings-/registreringsknappen och menyknappen samtidigt för att starta eller stoppa inspelning.

Tryck in strömknappen, mättnings-/registreringsknappen och menyknappen samtidigt för att öppna den dolda menyen.

### Installera batteri (sida 4 – B)

#### Steg

1. Tryck in batterifackets lås (visas i en svart ram), rotera batterilocket moturs tills märket på batterilocket är inriktat med det på enheten och plocka sedan bort batterilocket.
2. För in batteriet i batterifacket med plussidan inåt.
3. Rikta in märket på batterilocket med det på enheten och placera batterilocket på batteriet.
4. Roter batterilocket medurs för att fästa det.

### Obs!

Ta ur batteriet om du inte använder enheten under en längre tid.

### Bruksanvisning



### Juridisk information

©2022 Hangzhou Microimage Software Co., Ltd.  
Alla rättigheter förbehålles.

### Om bruksanvisningen

Handboken innehåller anvisningar för användning och underhåll av produkten. Bilder, diagram och illustrationer och all annan övrig information är enbart avsedda som beskrivningar och förklaringar. Informationen i bruksanvisningen kan, utan föregående meddelande, komma att ändras, vid uppgradering av fast programvara eller av andra skäl. Den senaste versionen av handboken finns på HIKMICRO:s webbplats ([www.hikmicrotech.com/](http://www.hikmicrotech.com/)). Använd handboken med vägledning och assistans av yrkespersoner som utbildats i att ge stöd för produkten.

### Varumärken

och övriga varumärken och logotyper för HIKMICRO tillhör HIKMICRO i olika jurisdiktioner.

Andra varumärken och logotyper som omnämns tillhör respektive ägare.

### FRISKRIVNING

HANDBOKEN OCH DEN PRODUKT SOM BESKRIVS, MED DESS HÅRDVARA, MJUKVARA OCH FIRMWARE TILLHANDAHÅLLES "I BEFINTLIGT SKICK" OCH "MED ALLA FEL OCH BRISTER" SÅ LÅNGT DETTA ÄR TILLÄTET ENLIGT TILLÄMPLIG LAGSTIFTNING. HIKMICRO UTFÄRDAR INGA GARANTIER, VARKEN UTTRYCKLIGA ELLER UNDERFÖRSTÅDDA, INKLUDERANDE UTAN BEGRÄNSNING, FÖR SÄLJBARHET, TILLFREDSSTÄLLANDE KVALITET ELLER LÄMPLIGHET FÖR ETT VISST ÄNDAMÅL DIN ANVÄNDNING AV PRODUKTEN SKER PÅ EGEN RISK. DU SKA INTE UNDER NÅGRA OMSTÄNDIGHETER HÅLLA HIKMICRO ANSVARIGA FÖR NÅGRA SÅRSKILDA SKADOR, FÖLJDSKADOR ELLER INDIREKTA SKADOR, INKLUSIVE, BLAND ANNAT SKADESTÅND FÖR FÖRLORAD AFFÄRSVINST, VERKSAMHETSSTÖRNING, FÖRLUST AV DATA ELLER DOKUMENTATION, OAVSETT OM DETTA BASERAS PÅ AVTALSBRÖTT, ÅTALBAR HANDLING (INKLUSIVE FÖRSUMLIGHET), PRODUKTANSVAR ELLER ANNAT I SAMBAND MED ANVÄNDNINGEN AV PRODUKTEN, ÄVEN OM HIKMICRO HAR MEDDELATS ATT RISKEN FÖR SÅDANA SKADOR ELLER FÖRLUSTER FÖRELIGGER.

DU BEKRÄFTAR ATT INTERNETS NATUR INNEBÄR INBYGGDA SÄKERHETSRISKER OCH HIKMICRO TAR INGET ANSVAR FÖR ONORMAL ANVÄNDNING, INTEGRITETSLÄCKOR ELLER ANDRA SKADOR SOM ORSAKAS AV CYBERATTACKER, HACKERATTACKER, VIRUSINFEKTION ELLER ANDRA SÄKERHETSRISKER MED INTERNET. HIKMICRO KOMMER DOCK ATT TILLHANDAHÅLLA LÄMPLIG TEKNISK SUPPORT OM SÅ KRÄVS.

DU ACCEPTERAR ATT ANVÄNDA PRODUKTEN I ENLIGT MED ALLA TILLÄMPLIGA LAGAR OCH DU ÄR ENSAMT ANSVARIG FÖR ATT SÄKERSTÄLLA ATT DIN ANVÄNDNING EFTERLEVER TILLÄMPLIGA LAGAR. DU ÄR I SYNNERHET ANSVARIG FÖR ATT ANVÄNDA PRODUKTEN PÅ ETT SÅDANT SÄTT ATT DEN INTE INKRÄKTAR PÅ NÅGRA RÄTTIGHETER SOM ÄGS AV TREDJE PART, INKLUSIVE UTAN BEGRÄNSNING, RÄTTEN TILL PUBLICERING, IMMATERIELLA RÄTTIGHETER, SAMT DATASKYDD OCH ANDRA INTEGRITETS RÄTTIGHETER. DU FÅR INTE ANVÄNDA PRODUKTEN FÖR ILLEGAL JAKT AV DJUR, INTEGRITETSKRÄNKNING ELLER ANDRA ÄNDAMÅL SOM ÄR OLAGLIGA ELLER SKADLIGA FÖR ALLMÄNNA INTRESSEN. DU FÅR INTE ANVÄNDA PRODUKTEN FÖR NÅGRA FÖRBJUDNA SLUTANVÄNDNINGAR, INKLUSIVE UTVECKLING ELLER PRODUKTION AV MASSFÖRSTÖRELSEVAPEN, UTVECKLING ELLER PRODUKTION AV KEMIKA ELLER BIOLOGISKA STRIDSMEDEL, ELLER NÅGRA AKTIVITETER SOM ÄR RELATERADE TILL NUKLEÄRA SPRÄNGMEDEL ELLER OSÄKRA NUKLEÄRA BRÄNSLECYKLER, ELLER SOM STÖD FÖR ÖVERGREPP AV MÄNSKLIGA RÄTTIGHETER.

I DE FALL INNEHÅLLET I BRUKSANVISNINGEN STÅR I KONFLIKT MED TILLÄMPLIGA LAGAR, GÄLLER DE SISTNÄMNDNA.

### Gällande föreskrifter

Dessa villkor gäller endast för de produkter som

räknar med motsvarande märke eller information.

## Deklaration om EU-överensstämmelse



Denna produkt och – om tillämpligt – dess levererade tillbehör är CE-märkta och överensstämmer därför med de tillämpliga harmoniserade europeiska standarder som finns angivna i direktiv 2014/53/EU (RED), direktiv 2014/30/EU (EMCD), direktiv 2014/35/EU (LVD) och direktiv 2011/65/EU (RoHS).



Direktiv 2012/19/EU (WEEE-direktivet): Produkter märkta med denna symbol får inte kastas som osorterat hushållsavfall inom EU. För lämplig återvinning ska produkten återlämnas till din lokala återförsäljare vid inköp av motsvarande ny utrustning eller lämnas in på en särskild återvinningsstation. För ytterligare information se: [www.recyclethis.info](http://www.recyclethis.info)



Direktiv 2006/66/EG och dess ändring 2013/56/EU (batteridirektivet): Produkten innehåller ett batteri som inte får avfallshanteras som osorterat hushållsavfall inom EU. Se produktdokumentationen för specifik information om batteriet. Batteriet är märkt med den här symbolen som kan innehålla bokstäver för att indikera kadmium (Cd), bly (Pb) eller kvicksilver (Hg). För lämplig återvinning ska batteriet återlämnas till din återförsäljare eller lämnas in på en särskild återvinningsstation. Mer information finns på [www.recyclethis.info](http://www.recyclethis.info).

## Säkerhetsanvisningar

Dessa anvisningar är avsedda att säkerställa att användaren kan använda produkten på korrekt sätt för att undvika fara eller egendomsförlust.

### Lagar och regler

Enheten ska användas i överensstämmelse med lokala bestämmelser, elsäkerhetsföreskrifter och brandskyddsföreskrifter.

### Transport

- Förvara enheten i ursprungsförpackningen eller i liknande förpackning medan den transporteras.
- Behåll allt emballagematerial efter att det packats upp för framtida användning. Vid eventuella fel måste du returnera enheten till fabriken med det ursprungliga emballagematerialet.
- Transport utan det ursprungliga emballagematerialet kan resultera i att enheten skadas och företaget påtar sig inget ansvar.
- Undvik att tappa produkten och utsätt den inte för fysiska stötar. Håll enheten borta från magnetiska störningar.

### Strömförsörjning

- Enhetens ingångsspänning ska uppfylla kraven för en begränsad strömkälla (5 VDC, 2 A) enligt standarden IEC61010-1. Se de tekniska specifikationerna för detaljerad information.
- Batteriladdaren ingår i paketet. Ingångsspänningen för den medföljande batteriladdaren ska överensstämma med en begränsad strömkälla (5 VDC, 2 A).
- Kontrollera att kontakten är ordentligt ansluten till eluttaget.
- Anslut inte flera enheter till en och samma strömadapter, för att undvika överhettning eller brandfara som orsakas av överbelastning.
- Använd nätadaptern som tillhandahålls av den kvalificerade tillverkaren. Se

produktspecifikationen för detaljerade effektkrav. Adapters användarmiljö ska vara samma som enhetens miljö.

## Batteri

- Felaktig användning eller ersättning av batteriet kan leda till explosionsfara. Ersätt alltid med ett likadant eller likvärdigt batteri. Batteriet är av typ 18650 med skyddskrets och batteriets storlek ska vara 19 mm x 70 mm, med en märkspänning och kapacitet på 3,6 VDC/3,35 Ah (12,06 Wh). Kasserade använda batterier i enlighet med de anvisningar som ges av batteritillverkaren.
  - Ladda inte andra batterityper med den tillhandahållna laddaren. Kontrollera att det inte finns något brännbart material inom 2 m från laddaren medan laddningen pågår.
  - Säkerställ vid långtidsförvaring av batteriet att det laddas upp helt en gång i halvåret så att batteriets kvalitet bevaras. Annars kan skador uppstå.
  - Placera INTE batteriet i närheten av en värmekälla eller en öppen eld. Undvik direkt solljus.
  - Batteriet får INTE sväljas då detta kan orsaka kemiska brännskador.
  - Batterier får inte laddas direkt från en extern strömkälla.
  - Enheten får inte laddas – använd tillhandahållen laddare för att ladda batteriet.
  - Utrustningen är inte lämplig för användning på platser där det kan finnas barn.
  - **FORSIKTIGHET!** Risk för explosion om batteriet ersätts med en felaktig typ.
  - Felaktig placering av batteriet med felaktig typ kan orsaka problem för skyddsåtgärder (exempelvis när det gäller vissa typer av litiumbatterier).
  - Släng inte batteriet i eld eller i en varm ugn, eller mekanisk kross och skär ej heller batteriet, eftersom detta kan resultera i en explosion.
  - lämna inte batteriet i miljöer med extremt höga temperaturer, eftersom detta kan resultera i explosion eller att det läcker ut brandfarlig vätska eller gas.
  - Utsätt inte batteriet för extremt lågt lufttryck, då detta kan resultera i en explosion eller att det läcker ut brandfarlig vätska eller gas.
  - Kasserade batterier i enlighet med instruktionerna.
- ### Underhåll
- Om produkten inte fungerar som den ska, ta kontakt med din återförsäljare eller närmaste servicecenter. Vi tar inget ansvar för problem som orsakats av obehörig reparation eller obehörigt underhåll.
  - Torka försiktigt av enheten med en ren trasa och en liten mängd etanol, vid behov.
  - Om utrustningen används på ett sätt som inte anges av tillverkaren kan det skydd som ges av enheten försämas.
  - Rengör linsen med en mjuk och torr trasa eller torkpapper för att undvika att repa den.
- ### Användningsmiljö
- Se till att driftmiljön uppfyller kraven för enheten. Drifttemperaturen bör vara -30 °C till 55 °C och luftfuktigheten 95 % eller lägre, icke-kondenserande.
  - Utsätt INTE enheten för extremt varma, kalla, frätande, salthaltiga alkaliska eller fuktiga miljöer.
  - Undvik installation av utrustningen på vibrerande ytor eller platser som är utsatta för stötar (underlåtenhet kan medföra skador på utrustningen).
  - Rikta inte objektivet mot solen eller andra starka ljuskällor.
- ### Nöd
- Om det kommer rök, lukt eller oljud från enheten, stäng omedelbart av strömmen, koppla från

strömkabeln och kontakta servicecentret.

#### Laser



Om någon laserutrustning används, måste du se till att enhetens objektiv inte exponeras för laserstrålen, då detta kan medföra att objektivet bränns sönder. Den laserstrålning som skickas ut från enheten kan orsaka ögonskador, brännskador på huden och brand i lättantändliga ämnen. Se till att det inte finns några människor eller lättantändliga ämnen framför laserobjektivet innan du aktiverar tilläggsbelysningen. Enheten får inte placeras så att minderåriga kan få tag på den.

#### Tillverkarens adress

Rum 313, Enhet B, Byggnad 2, 399 Danfengvägen, Underdistriktet Xixing, Distriktet Binjiang, Hangzhou, Zhejiang 310052, Kina  
Hangzhou Microimage Software Co., Ltd.  
FÖRSÄKRAN OM ÖVERENSSTÄMMELSE: Produkter i den termiska serien kan vara föremål för exportkontroller i olika länder eller regioner, inklusive utom begränsning, USA, Europeiska unionen, Förenade kungariket och/eller andra länder som skrivit under Wassenaar-avtalet. Rådgör med en professionell juridisk konsult, en expert på regelverket eller lokala myndigheter avseende krav på exportlicenser om du avser att överföra, exportera eller omexportera produkter i termiska serien mellan olika länder.

### Русский



Внешний вид изделия зависит от конкретной модели. Рисунки приведены только для справки.

#### Краткое описание

Портативная тепловизионная монокулярная камера выполняет функции наблюдения, точки доступа Wi-Fi, отслеживания горячих объектов, слияния биспектральных изображений, лазерного измерения расстояний и др. Высококонтрастный встроенный тепловой датчик обеспечивает четкое изображение даже в полной темноте.

Это устройство обычно используется на охоте, во время поисковых и спасательных операций, пеших прогулок, путешествий и в других видах активного отдыха.

После подключения устройства к телефону через точку доступа вы сможете делать снимки, записывать видео и настраивать параметры с помощью приложения HIKMICRO Sight.

Скачайте приложение HIKMICRO Sight в App Store (iOS) или Google Play™ (Android). Чтобы скачать и установить это приложение, вы также можете просто отсканировать QR-код.



Система Android



Система iOS

Настоящее радиоустройство имеет следующие частотные диапазоны, режимы и номинальные пределы излучаемой мощности (электромагнитной и/или кондуктивной):

Wi-Fi 2.4 ГГц (от 2,4 ГГц до 2,4835 ГГц)	20 дБм
--	--------

#### Внешний вид (стр. 2- А)

Существуют два типа портативных тепловизионных монокулярных камер. Ниже представлены описания внешнего вида обоих типов. Учитывайте особенности фактического устройства.

#### Кнопки и компоненты

№	Описание	Функционирование
1	Тепловизионный	Просмотр тепловизионного

№	Описание	Функционирование
	объектив	изображения.
2	Оптический объектив	Просмотр оптического изображения.
3	Лазерный дальномер	Измерение расстояния с помощью лазерного излучения.
4	Кнопка питания	Нажатие: дежурный режим / режим запуска устройства Удержание: вкл/выкл питания
5	Кнопка съемки	Нажатие: захват Удержание: запуск калибровки
6	Кнопка измерения	Нажатие: измерение расстояния с помощью лазерного излучения Удержание: съемка
7	Кнопка меню	Нажатие: палитры цветов Удержание: вход в меню и выход из него
8	Колесико	Настройка цифрового зума; выбор функций в режиме меню.
9	Интерфейс Type-C	Подключение к адаптеру питания; подключение устройства к компьютеру для экспорта файлов.
10	Окуляр	Просмотр объекта и регулировка диоптра.
11	Кольцо фокусировки	регулировка прицела.
12	Индикатор	Индикация режима включения и выключения устройства.

#### Примечание.

Чтобы начать или остановить запись, нажмите одновременно кнопку измерения/съемки и кнопку меню.

Чтобы войти в скрытое меню, нажмите одновременно кнопки питания, измерения/съемки и меню.

#### Установка батареи (стр. 4- В)

#### Порядок действий

1. Нажав и сдвинув фиксатор батарейного отсека (показан в рамке), поверните крышку отсека против часовой стрелки так, чтобы совместились метки на крышке и устройстве,

- и снимите крышку.
2. Вставьте батарею в батарейный отсек положительным полюсом внутрь.
  3. Совместите метки на крышке батарейного отсека и на устройстве, а затем наденьте крышку батарейного отсека на батарею.
  4. Поверните крышку батарейного отсека по часовой стрелке, чтобы зафиксировать ее.

#### Примечание.

Если устройство не будет использоваться в течение долгого времени, выньте из него батареи.

#### Руководство пользователя




#### Нормативно-правовая информация

© 2022, Hangzhou Microimage Software Co., Ltd.  
Все права защищены.

#### О данном Руководстве

В Руководстве содержатся инструкции по эксплуатации Изделия. Фотографии, схемы, иллюстрации и прочие материалы приведены исключительно в качестве описаний и пояснений. Информация, приведенная в Руководстве, может быть изменена без предварительного уведомления в связи с обновлением микропрограммы или по другим причинам. Последнюю редакцию настоящего Руководства можно найти на веб-сайте компании HIKMICRO ([www.hikmicrotech.com/](http://www.hikmicrotech.com/)). Используйте Руководство под наблюдением специалистов, обученных обслуживанию Изделия.

#### Торговые марки

 и все другие торговые марки и логотипы HIKMICRO являются собственностью компании HIKMICRO в различных юрисдикциях.

Другие товарные знаки и логотипы, упоминаемые в Руководстве, являются собственностью соответствующих владельцев.

#### ОГРАНИЧЕНИЕ ОТВЕТСТВЕННОСТИ

В МАКСИМАЛЬНОЙ СТЕПЕНИ, РАЗРЕШЕННОЙ ДЕЙСТВУЮЩИМ ЗАКОНОДАТЕЛЬСТВОМ, ДАННОЕ РУКОВОДСТВО И ОПИСАНИЕ ИЗДЕЛИЯ ВМЕСТЕ С АППАРАТНОЙ ЧАСТЬЮ, ПРОГРАММНЫМ ОБЕСПЕЧЕНИЕМ И ВСТРОЕННОЙ МИКРОПРОГРАММОЙ ПРЕДОСТАВЛЯЕТСЯ ПО ПРИНЦИПУ «КАК ЕСТЬ» И «СО ВСЕМИ НЕПОЛАДКАМИ И ОШИБКАМИ». HIKMICRO НЕ ДАЕТ НИКАКИХ ЯВНЫХ ИЛИ ПОДРАЗУМЕВАЕМЫХ ГАРАНТИЙ, В ТОМ ЧИСЛЕ ГАРАНТИЙ ТОВАРНОЙ ПРИГОДНОСТИ, УДОВЛЕТВОРИТЕЛЬНОГО КАЧЕСТВА ИЛИ ПРИГОДНОСТИ ДЛЯ КОНКРЕТНЫХ ЦЕЛЕЙ. ПОТРЕБИТЕЛЬ ИСПОЛЬЗУЕТ ИЗДЕЛИЕ НА СВОЙ СТРАХ И РИСК. НИ ПРИ КАКИХ ОБСТОЯТЕЛЬСТВАХ КОМПАНИЯ HIKMICRO НЕ НЕСЕТ ОТВЕТСТВЕННОСТИ ПЕРЕД ПОТРЕБИТЕЛЕМ ЗА КАКОЙ-ЛИБО СЛУЧАЙНЫЙ ИЛИ КОСВЕННЫЙ УЩЕРБ, ВКЛЮЧАЯ, СРЕДИ ПРОЧЕГО, УБЫТКИ ИЗ-ЗА ПОТЕРИ ПРИБЫЛИ, ПЕРЕРЫВОВ В ДЕЯТЕЛЬНОСТИ, ПОТЕРИ ДАННЫХ ИЛИ ДОКУМЕНТАЦИИ, ПОВРЕЖДЕНИЯ

СИСТЕМ, БУДЬ ТО ПО ПРИЧИНЕ НАРУШЕНИЯ ДОГОВОРА, ПРОТИВОПРАВНЫХ ДЕЙСТВИЙ (В ТОМ ЧИСЛЕ ХАЛАТНОСТИ), УЩЕРБА ВСЛЕДСТВИЕ ИСПОЛЬЗОВАНИЯ ИЗДЕЛИЯ ИЛИ ИНОГО В СВЯЗИ С ИСПОЛЬЗОВАНИЕМ ДАННОГО ИЗДЕЛИЯ, ДАЖЕ ЕСЛИ КОМПАНИИ HIKMICRO БЫЛО ИЗВЕСТНО О ВОЗМОЖНОСТИ ТАКОГО УЩЕРБА.


ПОТРЕБИТЕЛЬ ОСОЗНАЕТ, ЧТО ИНТЕРНЕТ ПО СВОЕЙ ПРИРОДЕ ЯВЛЯЕТСЯ ИСТОЧНИКОМ ПОВЫШЕННОГО РИСКА БЕЗОПАСНОСТИ И КОМПАНИЯ HIKMICRO НЕ НЕСЕТ ОТВЕТСТВЕННОСТИ ЗА СБОИ В РАБОТЕ ОБОРУДОВАНИЯ, УТЕЧКУ ИНФОРМАЦИИ И ДРУГОЙ УЩЕРБ, ВЫЗВАННЫЙ КИБЕРАТАКАМИ, ХАКЕРАМИ, ВИРУСАМИ ИЛИ СЕТЕВЫМИ УГРОЗАМИ; ОДНАКО НАША КОМПАНИЯ ОБЕСПЕЧИВАЕТ СВОЕВРЕМЕННУЮ ТЕХНИЧЕСКУЮ ПОДДЕРЖКУ, ЕСЛИ ЭТО НЕОБХОДИМО.

ПОТРЕБИТЕЛЬ СОГЛАШАЕТСЯ ИСПОЛЬЗОВАТЬ ДАННОЕ ИЗДЕЛИЕ В СООТВЕТСТВИИ СО ВСЕМИ ПРИМЕНИМЫМИ ЗАКОНАМИ И НЕСЕТ ЛИЧНУЮ ОТВЕТСТВЕННОСТЬ ЗА ИХ СОБЛЮДЕНИЕ. В ЧАСТНОСТИ, ПОТРЕБИТЕЛЬ НЕСЕТ ОТВЕТСТВЕННОСТЬ ЗА ИСПОЛЬЗОВАНИЕ ДАННОГО ИЗДЕЛИЯ БЕЗ НАРУШЕНИЯ ПРАВ ТРЕТЬИХ ЛИЦ, В ТОМ ЧИСЛЕ ПРАВ ПУБЛИЧНОСТИ, ИНТЕЛЛЕКТУАЛЬНОЙ СОБСТВЕННОСТИ И ЗАЩИТЫ ДАННЫХ. ВЫ НЕ БУДЕТЕ ИСПОЛЬЗОВАТЬ ДАННЫЙ ПРОДУКТ В ЦЕЛЯХ БРАКОНЬЕРСТВА, ВТОРЖЕНИЯ В ЧАСТНУЮ ЖИЗНЬ ИЛИ ЛЮБЫХ ДРУГИХ ЦЕЛЕЙ, КОТОРЫЕ ЯВЛЯЮТСЯ НЕЗАКОННЫМИ ИЛИ ПРОТИВОРЕЧАТ ОБЩЕСТВЕННЫМ ИНТЕРЕСАМ. ПОТРЕБИТЕЛЬ ОБЯЗУЕТСЯ НЕ ИСПОЛЬЗОВАТЬ ЭТО ИЗДЕЛИЕ В ЗАПРЕЩЕННЫХ ЦЕЛЯХ, В ТОМ ЧИСЛЕ ДЛЯ РАЗРАБОТКИ ИЛИ ПРОИЗВОДСТВА ОРУЖИЯ МАССОВОГО УНИЧТОЖЕНИЯ, ХИМИЧЕСКОГО ИЛИ БИОЛОГИЧЕСКОГО ОРУЖИЯ, ОСУЩЕСТВЛЕНИЯ КАКОЙ-ЛИБО ДЕЯТЕЛЬНОСТИ В КОНТЕКСТЕ ЯДЕРНОГО ОРУЖИЯ, НЕБЕЗОПАСНЫХ ОПЕРАЦИЙ С ЯДЕРНЫМ ТОПЛИВОМ ИЛИ ДЛЯ ПОДДЕРЖКИ НАРУШЕНИЙ ПРАВ ЧЕЛОВЕКА. В СЛУЧАЕ РАЗНОЧИТИЙ МЕЖДУ НАСТОЯЩИМ РУКОВОДСТВОМ И ДЕЙСТВУЮЩИМ ЗАКОНОДАТЕЛЬСТВОМ, ПОСЛЕДНЕЕ ИМЕЕТ ПРИОРИТЕТ.

#### Нормативно-правовая информация

Данные положения применяются только в том случае, если изделие снаюжено соответствующей отметкой или информацией.

#### Соответствие стандартам ЕС

 Настоящее изделие и, если применимо, его штатные принадлежности имеют маркировку «СЕ», которая подтверждает его соответствие применимым согласованным европейским стандартам, указанным в Директиве по радиооборудованию 2014/53/ЕС, Директиве по электромагнитной совместимости 2014/30/ЕС, Директиве по низковольтному оборудованию 2014/35/ЕС и Директиве по ограничению использования опасных веществ 2011/65/ЕС.



Директива WEEE 2012/19/EU (по утилизации отходов электрического и электронного оборудования):

■ продукты, отмеченные этим символом, запрещено утилизировать в Европейском союзе в качестве несортированных муниципальных отходов. Для надлежащей переработки и возврата этот продукт местному поставщику после покупки эквивалентного нового оборудования или утилизируйте его в предназначенных для этого пунктах сбора отходов. Для получения дополнительной информации см.: [www.recyclethis.info](http://www.recyclethis.info)



Директива 2006/66/EU и поправка к ней 2013/56/EU (сведения о батарее): этот продукт содержит батарею, которую запрещено утилизировать в

Европейском союзе в качестве несортированных муниципальных отходов. Для получения точной информации о батарее см. документацию к продукту. Маркировка батареей может включать символы, которые определяют ее химический состав: кадмий (Cd), свинец (Pb) или ртуть (Hg). Для надлежащей утилизации отправьте батарею местному поставщику или утилизируйте ее в специальных пунктах приема отходов. Для получения дополнительной информации посетите веб-сайт [www.recyclethis.info](http://www.recyclethis.info).

#### Инструкции по безопасности

Настоящие инструкции предназначены для того, чтобы пользователь мог правильно использовать устройство, чтобы избежать опасности или потери имущества.

#### Законодательные акты и нормативные документы

При использовании этого устройства необходимо соблюдать местное законодательство, правила безопасной эксплуатации электрооборудования и правила противопожарной безопасности.

#### Транспортировка

- Используйте оригинальную или схожую упаковку для транспортировки устройства.
- После распаковки сохраните упаковочные материалы для дальнейшего использования. В случае неисправности вам потребуется вернуть устройство на завод в оригинальной упаковке.
- Транспортировка без оригинальной упаковки может привести к повреждению устройства, и компания не будет нести за это ответственности.
- Не роняйте и не ударяйте устройство. Устройство необходимо размещать вдали от источников электромагнитных помех.

#### Электропитание

- Входное напряжение устройства должно соответствовать ограниченному источнику питания (5 В постоянного тока, 2 А) в соответствии со стандартом IEC61010-1. Подробная информация приведена в таблице технических данных.
- Зарядное устройство входит в комплект поставки. Входное напряжение поставляемого зарядного устройства соответствует требованиям к источникам питания ограниченной мощности (5 В пост. тока, 2 А).
- Убедитесь, что вилка правильно подключена к розетке электропитания.
- Во избежание перегрева или возгорания из-за перегрузки ЗАПРЕЩАЕТСЯ подключать несколько устройств к одному адаптеру

питания.

- Используйте адаптер питания, предоставленный сертифицированным изготовителем. Требования к питанию подробно описаны в технических характеристиках изделия. Условия эксплуатации адаптера должны соответствовать условиям эксплуатации основного устройства.
- #### Батарея
- Использование или замена батареи с нарушением инструкции может привести к взрыву. Для замены используйте только такие же или аналогичные батареи. Тип батареи с защитной платой: 18650. Размеры батареи: 19 × 70 мм. Номинальное напряжение/емкость: 3,6 В пост. тока/3,35 А·ч (12,06 Вт·ч). Утилизируйте использованные батареи согласно инструкциям, предоставленным производителем батарей.
  - Не используйте поставляемое в комплекте зарядное устройство для зарядки батарей другого типа. Убедитесь, что во время зарядки в радиусе 2 метров вокруг зарядного устройства нет легковоспламеняющихся материалов.
  - При длительном хранении батареи полностью зарядите ее каждые полгода, чтобы обеспечить ее работоспособность. В противном случае батарея может выйти из строя.
  - Не размещайте батарею рядом с источниками тепла или огня. Не допускайте воздействия прямого солнечного света.
  - Не проглатывайте батарею во избежание химических ожогов.
  - Батарею нельзя заряжать напрямую от внешнего источника питания.
  - Устройство не заряжается непосредственно. Используйте прилагаемое зарядное устройство для зарядки батареи.
  - Данное устройство не предназначено для использования в тех местах, где могут находиться дети.
  - ПРЕДУПРЕЖДЕНИЕ: При установке батареи недопустимого типа существует риск взрыва.
  - Установка батареи недопустимого типа может создать угрозу для безопасности (например, в случае некоторых типов литиевых батарей).
  - Не бросайте батарею в огонь или горячую печь, не сдавливайте и не разрезайте батарею, поскольку это может привести к взрыву.
  - Нахождение батареи в среде с чрезвычайно высокой температурой может привести к взрыву или к утечке горючей жидкости или газа.
  - Нахождение батареи в среде с чрезвычайно низким давлением воздуха может привести к взрыву или к утечке горючей жидкости или газа.
  - Утилизируйте использованные батареи в соответствии с инструкциями.
- #### Техническое обслуживание
- Если изделие не работает должным образом, обратитесь к дилеру или к специалистам ближайшего сервисного центра. Компания-изготовитель не несет ответственности за неисправности, возникшие в результате несанкционированного ремонта или технического обслуживания.
  - При необходимости осторожно протрите устройство чистой салфеткой, смоченной небольшим количеством этилового спирта.
  - Если оборудование используется способом, не указанным производителем, обеспечиваемая устройством безопасность может быть нарушена.
  - Очищайте объектив мягкой сухой тканью или



бумажной салфеткой, чтобы не поцарапать его.

#### Требования к рабочей среде

- Убедитесь, что рабочая среда удовлетворяет требованиям надлежащей работы устройства. Рабочая температура должна находиться в диапазоне от -30 °C до 55 °C, а рабочая влажность не должна превышать 95% (без конденсации).
- ЗАПРЕЩАЕТСЯ устанавливать устройство в условиях воздействия экстремально высоких или низких температур, пыли, коррозионных, солевых и щелочных веществ, а также во влажной среде.
- Не устанавливайте оборудование на вибрирующих поверхностях или в местах, подверженных воздействию ударов (это может привести к повреждению прибора).
- Не направляйте объектив устройства на солнце или другие яркие источники света.
- Кнопка подачи экстренного сигнала тревоги
- Если устройство испускает дым, неприятный запах или шум, незамедлительно отключите электропитание, извлеките шнур питания и обратитесь в сервисный центр.

#### Лазер



При использовании любого лазерного оборудования убедитесь, что в объектив устройства не попадает лазерный

луч, иначе он может выгореть. Лазерное излучение, испускаемое устройством, может вызвать травмы глаза, ожоги кожи или воспламенение веществ. Перед включением функции дополнительной подсветки убедитесь, что перед лазерным объективом не находятся люди или легковоспламеняющиеся вещества. Не устанавливайте устройство в местах, где его могут достать дети.

#### Адрес производителя

Комната 313, помещение В, корпус 2, 399 Danfeng Road, район Xixing, округ Binjiang, Hangzhou, Zhejiang 310052, Китай  
Компания Hangzhou Microimage Software Co., Ltd.

УВЕДОМЛЕНИЕ О СООТВЕТСТВИИ: В различных странах и регионах, включая США, ЕС, Великобританию и/или другие страны, подписавшие Вассенарские соглашения, на тепловизионные устройства могут распространяться правила экспортного контроля. При необходимости транспортировки между странами, экспорта или реэкспорта тепловизионных устройств обратитесь к юристу, специалисту по соблюдению нормативно-правового соответствия или местным органам власти для получения информации о разрешении на экспорт.

**Türkçe**



Ürün görünümü sadece referans içindir ve gerçek ürün farklı olabilir.

Bu iki türün görünüm açıklamaları aşağıda gösterilmiştir. Lütfen gerçek ürünü referans alın.

#### Düğmeler ve Bileşenler

No.	Açıklama	Fonksiyon
1	Termal Lens	Termal görüntüyü gösterir.
2	Optik Lens	Optik görüntüyü gösterir.
3	Lazer Menzil Bulucu	Lazerle mesafeyi ölçer.
4	Güç Tuşu	Bas: bekleme modu/cihazı uyandırma Basılı Tut: gücü aç/kapat
5	Yakalama Tuşu	Bas: yakala Basılı Tut: tetikleyici kalibrasyonu
6	Ölçüm Tuşu	Bas: lazerle mesafeyi ölçme Basılı Tut: görüntü çekme
7	Menü Tuşu	Bas: paletler Basılı Tut: menüye girin/menüden çıkın
8	Tekerlek	Dijital yakınlaştırmayı ayarlayın; menü modunda işlevleri seçin.
9	Tip-C Arayüz	Cihazı güç adaptörüne bağlayın; dosyaları dışa aktarmak için cihazı bilgisayarınıza bağlayın.
10	Göz mercekleri	Hedefi görüntüleyin ve diyopteri ayarlayın.
11	Odak Halkası	Görüş açısını ayarlayın.
12	Gösterge	Cihazın açma/kapama modunu belirtin.

#### Kısa Açıklama

Termal monoküler el kamerası; gözlemleme, Wi-Fi etkin noktası, sıcaklık izleme, kız spektrumlu görüntü birleştirme, lazer mesafesi ölçümü vb. işlevler içeren el cihazıdır. Yüksek hassasiyetli dahili termal dedektör, zifiri karanlıkta bile size net bir görüş sağlar.

Cihaz esas olarak avcılık, arama ve kurtarma, yürüyüş ve seyahat gibi açık hava etkinliklerinde kullanılır.

Cihaz, etkin nokta aracılığıyla telefonunuza bağlandıktan sonra HIKMICRO Sight Uygulaması ile anlık görüntü çekebilir, video kaydedebilir ve parametre ayarlayabilir.

Uygulamayı indirmek için App Store'da (iOS Sistemi) veya Google Play™'de (Android Sistemi) HIKMICRO Sight'ı arayın ya da uygulamayı indirip yüklemek için QR kodunu tarayın.



Android Sistemi



iOS Sistemi

Bu telsiz cihazı için geçerli olan frekans bantları ve modları ve iletilen gücün (yayılan ve/veya iletilen) nominal sınırları aşağıdaki gibidir:

Wi-Fi 2.4 GHz (2,4 GHz ila 2,4835 GHz)	20 dBm
--	--------

#### Görünüm (Sayfa 2 - A)

iki tür portatif termal monoküler kamera vardır.

**Not:**

Kayıd başlatmak veya durdurmak için Ölçüm Tuşu/Yakala Tuşu ve Menü Tuşuna aynı anda basın.

Gizli menüye girmek için Güç tuşu, Ölçüm Tuşu/Yakala Tuşu ve Menü Tuşuna aynı anda basın.

**Pili Takın (Sayfa 4 - B)****Adımlar**

1. Pili bölmesi kilidini (siyah karede gösterilmiştir) bastırıp itin, pil kapağının üzerindeki işaretler ve cihaz hizalanana dek saat yönünün tersine çevirin ve ardından pil kapağını çıkarın.
2. Pili, artı işareti içe bakacak şekilde pil bölmesine yerleştirin.
3. Pil kapağı ve cihaz üzerindeki işaretleri hizalayın ve pil kapağını pilin üzerine yerleştirin.
4. Sabitlemek için pil kapağını saat yönünde çevirin.

**Not:**

Cihazı uzun süre kullanmayacasanız pili çıkarın.

**Kullanım Kılavuzu****Yasal Bilgiler**

©2022 Hangzhou Microimage Software Co., Ltd.  
Tüm hakları saklıdır.

**Bu Kılavuz hakkında**

Kılavuz, Ürünün kullanımını ve yönetimi ile ilgili talimatları içerir. Resimler, çizelgeler, görüntüler ve buradaki diğer tüm bilgiler, yalnızca tanımlama ve açıklama amaçlıdır. Kılavuzda bulunan bilgiler, yazılım güncellemeleri veya başka nedenlerden dolayı önceden haber verilmeksizin değiştirilebilir. Lütfen bu Kılavuzun en son sürümü için HIKMICRO web sitesine ([www.hikmicrotech.com/](http://www.hikmicrotech.com/)) bakın. Lütfen bu Kılavuzu, Ürünü destekleme konusunda eğitilmiş profesyonellerin rehberliği ve yardımı ile kullanın.

**Ticari Markalar**

HIKMICRO ve diğer HIKMICRO ticari markaları ve logoları, çeşitli yargı alanlarında HIKMICRO'nun özellikleridir.

Bahsedilen diğer ticari markalar ve logolar ilgili sahiplerinin mülkiyetindedir.

**YASAL UYARI**

YÜRÜRLÜKTEKİ YASALARIN İZİN VERDİĞİ AZAMI ÖLÇÜDE, BU KILAVUZ VE AÇIKLANAN ÜRÜN, DONANIMI, YAZILIMI VE ÜRÜN YAZILIMI İLE "OLDUĞU GİBİ" VE "TÜM ARIZALAR VE HATALAR İLE " SAĞLANIR. HIKMICRO, SINIRLAMA, SATILABİLİRLİK, KALİTE MEMNUNİYETİ VEYA BELİRLİ BİR AMACA UYGUNLUK DAHİL, AÇIK VEYA ZİMMİ HİÇBİR GARANTİ VERMEZ. ÜRÜNÜN SİZİN TARAFINIZDAN KULLANIMI KENDİ SORUMLULUĞUNUZDADIR. HIKMICRO HİÇBİR DURUMDA, BU ÜRÜNÜN KULLANIMI İLE BAĞLANTILI OLARAK, HIKMICRO BU TÜR HAŞARLARIN OLASILIĞI HAKKINDA BİLGİLENDİRİLMİŞ OLSA BİLE, İŞ KARLARININ KAYBI, İŞ KESİNTİSİ, VERİ KAYBI, SİSTEM KESİNTİSİ, BELGE KAYBI, SÖZLEŞMENİN İHLALI (İHMAL DAHİL), ÜRÜN SORUMLULUĞU GİBİ ZARARLAR DA DAHİL

OLMAK ÜZERE, ÖZEL, SONUÇSAL, TESADÜFİ VEYA DOLAYLI ZARARLAR İÇİN SİZE KARŞI SORUMLU OLMAYACAKTIR.

HIKMICRO'NUN, İNTERNETİNİN DOĞAL GÜVENLİK RİSKLERİNİN GETİRDİĞİ SİBER SALDIRI, HACKER SALDIRISI, HACKER SALDIRISI, VİRÜS BULAŞMASINDAN KAYNAKLANAN ANORMAL ÇALIŞMA, GİZLİLİK SIZINTISI VEYA DİĞER ZARARLARDAN HERHANGİ BİR SORUMLULUK ALMAYACAĞINI KABUL EDİYORSUNUZ; ANCAK HIKMICRO, GEREKİRSE ZAMANINDA TEKNİK DESTEK SAĞLAYACAKTIR.

BU ÜRÜNÜ GEÇERLİ TÜM YASALARA UYGUN OLARAK KULLANMAYI KABUL EDİYORSUNUZ VE KULLANIMINIZIN GEÇERLİ YASALARA UYGUN OLMASINI SAĞLAMAKTAN YALNIZCA SİZ SORUMLUSUNUZ. ÖZELİKLE, BU ÜRÜNÜ, SINIRLAMA OLMAKSIZIN, TANITIM HAKLARI, FİKRİ MÜLKİYET HAKLARI VEYA VERİ KORUMA VE DİĞER GİZLİLİK HAKLARI DA DAHİL OLMAK ÜZERE ÜÇÜNCÜ TARAFLARIN HAKLARINI İHLAL ETMEYECEK ŞEKİLDE KULLANMAKTAN SİZ SORUMLUSUNUZ. BU ÜRÜNÜ HAYVANLARI YASALARA AYKIRI ŞEKİLDE AVLAMAK, MAHREMİYETİ İHLAL ETMEK YA DA YASA DIŞI VEYA KAMU MENFAATLERİNE AYKIRI OLAN BİR AMAC İÇİN KULLANAMAZSINIZ. BU ÜRÜNÜ, KİTLE İMHÂ SİLAHLARININ GELİŞTİRİLMESİ VEYA ÜRETİMİ, KİMYASAL VEYA BİYOLOJİK SİLAHLARIN GELİŞTİRİLMESİ VEYA ÜRETİMİ, HERHANGİ BİR NÜKLEER PATLAYICI VEYA GÜVENLİ OLMAYAN NÜKLEER YAKIT DÖNGÜSÜ İLE İLGİLİ HERHANGİ BİR FAALİYETTE VEYA İNSAN HAKLARI İHLALLERİNİ DESTEKLEMEK DE DAHİL YASAKLANMIŞ SON KULLANIMLAR İÇİN KULLANAMAZSINIZ. BU KILAVUZ İLE İLGİLİ YASA ARASINDA HERHANGİ BİR ÇELİŞKİ OLMASIN DURUMUNDA, İKİNCİSİ GEÇERLİDİR.

**Mevzuat Bilgisi**

**Bu maddeler, yalnızca ilgili işarete veya bilgiye sahip ürünler için geçerlidir.**

**AB Uygunluk Beyanı**

Bu ürün ve varsa sağlanan aksesuarlar da "CE" işaretine sahiptir. Dolayısıyla bunlar, Direktif 2014/53/EU (RED), 2014/30/EU (EMCD), Direktif 2014/35/EU (LVD) ve Direktif 2011/65/EU'da (RoHS) listelenen geçerli, uyumlu hale getirilmiş Avrupa standartlarına uygundur.



2012/19/EU Direktifi (WEEE Direktifi): Bu simgeyle işaretlenen ürünler, Avrupa Birliği'nde ayrıştırılmamış belediye atığı olarak yok edilemez. Doğru geri

dönüşüm için, eşdeğer yeni ekipman satın aldıktan sonra bu ürünü yerel tedariğinizize iade edin veya belirtilen toplama noktalarında imha edin. Daha fazla bilgi için bkz: [www.recyclethis.info](http://www.recyclethis.info)



2006/66/EC Direktifi ve değişiklik 2013/56/EU (Batarya Direktifi): Bu ürün, Avrupa Birliği'nde ayrıştırılmamış belediye atığı olarak imha edilemeyen bir pil içerir.

Özel pil bilgileri için ürün belgelerine bakın. Pil, kadmiyum (Cd), kurşun (Pb) veya cıva (Hg) içerebildiğini belirtmek bu simgeyle işaretlenmiştir. Doğru geri dönüşüm için pil tedariğinizize veya belirlenmiş pil toplama noktasına iade edin. Daha fazla bilgi için bkz: [www.recyclethis.info](http://www.recyclethis.info).

## Güvenlik Talimatları

Bu talimatlar ile tehlikeleri veya mal kayıplarını önlemek için kullanıcının ürünü doğru şekilde kullanabilmesinin sağlanması amaçlanmıştır.

## Yasalar ve Yönetmelikler

Cihaz yerel yasalara, elektrik güvenliği yönetmeliklerine ve yangın önleme yönetmeliklerine uygun şekilde kullanılmalıdır.

## Ulaşım

- Cihazı taşıırken orijinal ambalajının veya benzer bir ambalajın içerisine koyun.
- Ambalajından çıkardıktan sonra tüm ambalajları imdale kullanılmak üzere saklayın. Herhangi bir arıza meydana gelmesi halinde cihazı orijinal sarğısıyla birlikte fabrikaya iade etmeniz gerekir.
- Orijinal ambalajı olmadan taşımak cihaza zarar verebilir bu durumda şirket hiçbir sorumluluk kabul etmeyecektir.
- Ürünü düşürmeyin veya fiziksel darbeye maruz bırakmayın. Cihazı yanlış şekilde parzitten uzak tutun.

## Güç Kaynağı

- Cihaz için giriş voltajı, IEC61010-1 standardına göre Sınırlı Güç Kaynağını (5 VDC, 2 A) karşılamalıdır. Ayrıntılı bilgi için lütfen teknik özelliklere bakın.
- Pil şarj cihazı, paket içeriğine dahildir. Verilen pil şarj cihazının giriş voltajı Sınırlı Güç Kaynağını (5 VDC, 2 A) karşılamalıdır.
- Fişin elektrik prizine düzgün şekilde takıldığından emin olun.
- Aşırı yükten kaynaklı aşırı ısınmayı veya yangın tehlikelerini önlemek için bir güç kaynağına birden fazla cihaz TAKMAYIN.
- Yetkili üretici tarafından sağlanan güç adaptörünü kullanın. Ayrıntılı güç gereksinimleri için ürün özelliklerine bakın. Adaptörün kullanım ortamı, cihaz ile uyumlu olmalıdır.

## Pil

- Piliin yanlış kullanımı veya değiştirilmesi patlama tehlikesine neden olabilir. Yalnızca aynı veya eşdeğer tipte batarya ile değiştirin. Pil türü, koruma levhası ile birlikte 18650'dir ve pil boyutu 19 mm x 70 mm içinde olmalıdır. Nominal voltaj ve kapasite 3,6 VDC/3,35 Ah (12,06 Wh)'dir. Kullanılmış pilleri, pil üreticisi tarafından sağlanan talimatlara uygun olarak imha edin.
- Verilen şarj cihazıyla diğer pilleri şarj etmeyin. Şarj sırasında şarj cihazının 2 m yakınında yanıcı malzeme bulunmadığını doğrulayın.
- Pil uzun süre kullanılmadan saklanacaksa piliin kalitesinin devam ettirilmesi için her altı ayda bir tam olarak şarj edilmesini sağlayın. Aksi takdirde hasar meydana gelebilir.
- Pili ısıtma veya ateş kaynağının yakınına YERLEŞTİRMEYİN. Doğrudan güneş ışığının kaçınan.
- Kimyasal yanıklardan kaçınmak için pili YUTMAYIN.
- Pil doğrudan harici güç kaynağı ile şarj edilemez.
- Cihaz şarj edilemiyor, lütfen piliin şarj edilmesi için verilen şarj cihazını kullanın.
- Bu ekipman çocukların olma ihtimalinin bulunduğu yerlerde kullanın için uygun değildir.
- DİKKAT: Pil yanlış bir türle değiştirildiğinde patlama riski.
- Piliin yanlış türde bir pille uygun olmayan şekilde değiştirilmesi korumayı geçersiz hale getirebilir

(örneğin, bazı lityum pil türleri).

- Pili ateşe veya sıcak fırına atmayın veya pili mekanik olarak patlayabilecek şekilde ezmeyin veya kesmeyin.
  - Pili, patlamaya veya yanıcı sıvı veya gaz sızıntısına neden olabilecek aşırı yüksek sıcaklıktaki bir ortamda bırakmayın.
  - Pili, patlamaya veya yanıcı sıvı veya gaz sızıntısına neden olabilecek aşırı düşük hava basıncına maruz bırakmayın.
  - Bitmiş pilleri yönetmeliklere göre atın.
- ## Bakım
- Ürün düzgün şekilde çalışmıyorsa lütfen bayiinizle veya en yakın servis merkezimize iletişime geçin. Yetkisiz onarım veya bakımdan kaynaklanan sorunlar için herhangi bir sorumluluk kabul etmeyiz.
  - Cihazı temiz bir bez ve gerekirse az miktarda etanol ile hafifçe silin.
  - Cihazın, üretici tarafından belirtilmeyen bir şekilde kullanılırsa cihaz tarafından sağlanan koruma bozulabilir.
  - Merceği, çizilmesini önlemek için yumuşak ve kuru bir bezle veya silme kağıdıyla temizleyin.
- ## Kullanma Ortamı
- Çalışma ortamının cihazın gereksinimlerini karşıladığından emin olun. Çalışma sıcaklığı -30°C ila 55°C (-22°F ila 131°F) ve çalışma nemi %95 veya daha az (yoğuşmasız) olmalıdır.
  - Cihazı aşırı sıcak, soğuk, tozlu, aşındırıcı, tuzlu-alkali veya rutubetli ortamlara maruz bırakmayın.
  - Titreşimli yüzeylere veya darbeye maruz kalan yerlere ekipman kurmaktan kaçının (ihmal, ekipman hasarına neden olabilir).
  - Lensi, güneşe veya herhangi bir parlak ışığa doğru tutmayın.

## Acil Durum

- Cihazdan duman, koku veya ses geliyorsa hemen gücü kapatarak güç kablosunun bağlantısını kesin ve servis merkezimize iletişime geçin.

## Lazer



Herhangi bir lazer ekipmanı kullanılırken cihaz merceğinin, lazer ışığına maruz kalmadığından emin olun aksi takdirde yanabilir. Cihazdan yayılan lazer radyasyonu göz yaralanmalarına, cildin yanmasına veya yanıcı maddelerin tutuşmasına yol açabilir. Işık Desteği işlevini etkinleştirmeden önce, lazer lensinin önünde hiçbir insanın veya yanıcı maddenin bulunmadığından emin olun. Cihazı küçüklerin alabileceği bir yere yerleştirmeyin.

## Üretim Adresi

Oda 313, Birim B, Bina 2, 399 Danfeng Caddesi, Xixing Nahiyesi, Binjiang Bölgesi, Hangzhou, Zhejiang 310052, Çin  
Hangzhou Microimage Software Co., Ltd.  
UYGUNLUK BİLDİRİMİ: Termal serisi ürünler, sınırlama olmadıkça Amerika Birleşik Devletleri, Avrupa Birliği, Birleşik Krallık ve / veya Wassenaar Düzenlemesinin diğer üye ülkelerinde dahil olmak üzere çeşitli ülke veya bölgelerde ihracat kontrollerine tabi olabilir. Termal serisi ürünleri farklı ülkeler arasında transfer etmeyi, ihraç etmeyi veya yeniden ihraç etmeyi düşünüyorsanız, lütfen gerekli ihracat lisansı gereklilikleri için profesyonel hukuk veya uyum uzmanınıza veya yerel hükümet yetkililerine danışın.

日本語



製品外観はイメージです。実際の製品と異なる場合があります。

## 簡単な説明

ハンドヘルド単眼サーマルカメラは、観察、Wi-Fi ホットスポット、ホットトラッキング、

バイスペクトル画像融合、レーザー距離測定などの機能を備えたハンドヘルドデバイスです。高感度の熱検出器を内蔵しており、完全な暗闇の中でもクリアな視界を提供します。このデバイスは、主に狩猟、捜索・救難、ハイキング、旅行などの野外活動に適しています。本デバイスは、ホットスポットを介してスマートフォンに接続することで、HIKMICRO Sight アプリ上でスナップショットをキャプチャーしたり、ビデオを録画したり、パラメーターの設定を行うことができます。

App Store (iOS システム) または Google Play™ (Android システム) で「HIKMICRO Sight」を検索するか、QR コードを読み取ってアプリをダウンロードし、インストールしてください。



Android システム



iOS システム

この無線デバイスに適用される周波数帯域とモード、および送信電力（放射および/または伝導）の公称制限は次の通りです。

Wi-Fi 2.4 GHz (2.4 GHz ~ 2.4835 GHz)	20 dBm
--------------------------------------	--------

## 製品外観 (2 ページ - A)

ハンドヘルドサーマル単眼鏡カメラには次の 2 種類があります。各モデルの外観を以下に説明します。実際の製品を手にとって参照してください。

## ボタンと部品

番号	説明	機能
1	サーマルレンズ	サーマル画像を表示します。
2	光学レンズ	光学画像を表示します。
3	レーザー距離計	レーザーで距離を測定します。
4	電源キー	押す：スタンバイモード/デバイスを起動します 長押し：オン/オフ
5	キャプチャキー	押す：キャプチャー 長押し：校正を開始します
6	メジャーキー	押す：レーザーで距離を測定します 長押し：キャプチャーします
7	メニューキー	押す：パレット 長押し：メニューを開始/終了します
8	ホイール	デジタルズームの調

番号	説明	機能
		整および、メニューモードで機能を選択します。
9	Type-C インターフェイス	本体を電源アダプターに接続してから、PC と接続してファイルをエクスポートします。
10	アイピース	ターゲットを表示し、視度を調整します。
11	フォーカスリング	視野を調整します。
12	インジケータ	デバイスのオン/オフステータスを表示します。

**注：**  
測定キー/キャプチャキーとメニューキーを同時に押すと、録画が開始または終了します。電源キー、測定キー/キャプチャキー、メニューキーを同時に押すと、非表示メニューに移動します。

## バッテリーの取り付け (4 ページ - B)

### ステップ

1. バッテリーカバーのロック（黒枠表示）を押しながら、反時計回りに回します。バッテリーカバーと本体のマークが一致するまで回したら、バッテリーカバーを取り外します。
2. プラス極を内側に向け、バッテリー収納部にバッテリーを挿入します。
3. バッテリーカバーとデバイスのマークを合わせ、バッテリーにバッテリーカバーを取り付けます。
4. バッテリーカバーを時計回りに回して固定します。

**注：**  
デバイスを長期間使用しない場合は、バッテリーを取り外してください。

## ユーザーマニュアル



## 法的情報

©2022 Hangzhou Microimage Software Co., Ltd.  
禁・無断複製。

## 本マニュアルについて

本マニュアルには製品の使用および管理についての指示が含まれています。ここに記載されている写真、表、画像およびその他すべての情報は説明のみを目的としています。本マニュアルに含まれる情報は、ファームウェア更新やその他の理由で通知なく変更されることがあります。HIKMICRO のウェブサイト ([www.hikmicrotech.com/](http://www.hikmicrotech.com/)) で、本書の最新版を

ご覧ください。  
本マニュアルは、本製品をサポートする訓練を受けた専門家の指導・支援を受けた上でご利用ください。

## 商標

 その他の HIKMICRO の商標とロゴは、様々な裁判管轄地域における HIKMICRO の所有物です。

言及されているその他の商標およびロゴは、各権利保有者の所有物です。

## 免責事項

適用法で認められる最大限の範囲で、本マニュアルおよび説明されている製品（ハードウェア、ソフトウェア、および本製品を含む）は、「現状のまま」および「すべての欠陥とエラーがある」状態で提供されます。HIKMICRO では、明示あるいは黙示を問わず、商品性、満足な品質、または特定目的に対する適合性などを一切保証しません。本製品は、お客様の自己責任においてご利用ください。HIKMICRO は、本製品の利用に関連する事業利益の損失や事業妨害、データの損失、システムの障害、文書の損失に関する損害を含む特別、必然、偶発または間接的な損害に対して、それが契約に対する違反、不法行為（過失を含む）、製品の責任または製品の使用に関連するものであっても、たとえ HIKMICRO がそうした損害および損失について通知を受けていたとしても、一切の責任を負いません。

お客様は、インターネットにはその性質上固有のセキュリティリスクがあることを了解し、異常動作、プライバシーの流出、またはサイバー攻撃、ハッカー攻撃、ウイルス感染等のインターネットセキュリティリスクによる損害について、HIKMICRO は一切責任を負いません。ただし、必要に応じて HIKMICRO は適時技術的サポートを提供します。

お客様は、すべての適用法に従って本製品を利用し、さらにご自分の利用法が適用法を順守していることを確認する責任があります。特に、肖像権、知的財産権、またはデータ保護等のプライバシー権を非限定的に含むサードパーティの権利を侵害しない手段で本製品を利用する責任があります。動物の密猟やプライバシーの侵害など、法律に違反したり公序良俗に反する目的に本製品を使用してはなりません。大量破壊兵器の開発や生産、化学兵器・生物兵器の開発や生産、核爆発物や危険な核燃料サイクル、または人権侵害に資する活動を含む、禁じられている最終用途の目的で本製品を使用してはなりません。

本マニュアルと適用法における矛盾がある場合については、後者が優先されます。

## 規制情報

これらの条項は、対応するマークまたは情報が付された製品にのみ適用されます。

## EU 適合宣言



本製品および同梱の周辺機器（適用可能な場合）には「CE」マークが付いており、指令 2014/53/EU (RED)、指令 2014/30/EU (EMCD)、指令 2014/35/EU (LVD)、指令 2011/65/EU (RoHS) の下に記載されている該当欧州統一規格に準拠しています。



指令 2012/19/EU (WEEE 指令): この記号が付いている製品は、欧州連合 (EU) の地方自治体の未分別廃棄物として処分できません。適切にリサイクルするために、本製品は同等の新しい装置を購入する際にお近くの販売業者に返却いただくか、指定された収集場所へ処分してください。詳細については次の URL を参照してください: [www.recyclethis.info](http://www.recyclethis.info)



指令 2006/66/EC およびその修正案 2013/56/EU (バッテリー指令): 本製品には、欧州連合 (EU) の地方自治体の未分別廃棄物として処分できないバッテリーが含まれています。特殊バッテリーに関する製品資料をご覧ください。バッテリーにはこの記号が付いており、カドミウム (Cd)、鉛 (Pb)、水銀 (Hg) を示す文字も記載されています。適切にリサイクルするために、販売業者が指定された収集場所にご返却ください。より詳細な情報については以下をご確認ください。

[www.recyclethis.info](http://www.recyclethis.info)

## 安全に関する指示

これらの指示は、ユーザーが製品を正しく使用し、危険や財産損失を回避できるように保証することを目的としています。

## 法規と規則

本器は、各国の法規、電気安全規則、火災予防規則に準じて使用する必要があります。

## 輸送

- 輸送中は、デバイスを元のパッケージまたは類似したパッケージに梱包してください。
- 開梱後は、後日使用できるように、梱包材を保存しておいてください。不具合が発生した場合、元の梱包材を使用して工場に機器を送送する必要があります。
- 元の梱包材を使用せずに返送した場合、破損が発生する恐れがありますが、その際に、当社は一切責任を負いません。
- 製品を落下させたり、物理的な衝撃を与えないでください。本器を電磁妨害から遠ざけてください。

## 電源

- 本デバイスへの入力電圧は、IEC61010-1 規格の限定電源 (5 VDC、2 A) を満たす必要があります。詳細情報に関しては技術仕様を参照してください。
- バッテリー充電器が同梱されています。付属のバッテリー充電器の入力電圧は、限定電源 (5V DC、2A) を満たしています。
- プラグが適切に電源ソケットに接続されていることを確認してください。
- 1台の電源アダプターに2台以上の機器を接続してはなりません。過負荷によって過熱したり、火災発生の危険があります。
- 認定メーカーより供給された電源アダプターを使用してください。電源の詳細な要件につ



いては、製品仕様を参照してください。アダプターの使用環境はデバイスの使用環境と一致している必要があります。

### バッテリー

- バッテリーの不適切な使用や交換を行うと、爆発の危険性があります。同一または同等のタイプのものでだけ交換してください。バッテリーの形式は保護回路基板付き18650リチウム電池で、サイズは19 mm × 70 mm以内です。定格電圧と定格容量は3.6 VDC/3.35 Ah (12.06 Wh) です。バッテリーのメーカーによって提供された指示に準拠して、使用済みバッテリーを処分してください。
- 付属の充電器で種類が異なるバッテリーを充電しないでください。充電中は、充電器の2m以内に可燃物がないことをご確認ください。
- バッテリーを長期保存する場合は、半年に一度はフル充電して、バッテリーの品質を保つようにしてください。これを怠った場合、破損の原因となります。
- 暖房器具や火気の近くにバッテリーを置かないでください。直射日光を避けてください。
- 化学熱傷の恐れがありますので、絶対にバッテリーを飲み込まないでください。
- バッテリーは、外部電源から直接充電できません。
- デバイスが充電できません。付属の充電器でバッテリーを充電してください。
- この機器は、子供が近づくと可能性のある場所での使用には適していません。
- 注意: バッテリーを不正な種別のもので交換すると爆発の危険があります。
- 不正な種別のバッテリーとの不適切な交換は、安全装置を無効にする場合があります(たとえば、一部のリチウムバッテリータイプの場合など)。
- バッテリーを火や高温のオープンの中に投入したり、バッテリーを機械的に粉砕したり切断したりしないでください。爆発の原因となることがあります。
- バッテリーを非常に高温の環境に放置しないでください。爆発や、可燃性の液体およびガスの漏出を引き起こす可能性があります。
- バッテリーを極端に低い空気圧下に置かないでください。爆発したり、可燃性の液体やガスが漏出することがあります。
- 使用済みバッテリーは、指示に従って廃棄してください。

### メンテナンス

- 製品が正しく動作しない場合、販売店または最寄りのサービスセンターに連絡してください。承認されていない修理や保守行為による問題について、当社はいかなる責任も負いません。

- 必要ならば、エタノールを少量含ませたきれいな布でデバイスを静かに拭きます。
- メーカーが指定していない方法で使用した場合、デバイスが提供する保護機能が損なわれる恐れがあります。
- レンズに傷がつかないように、柔らかい乾いた布やワイピングペーパーでレンズをお手入れしてください。

### 使用環境

- 実行環境がデバイスの要件を満たしていることを確認します。動作温度は -30 °C ~ 55 °C (-22 °F ~ 131 °F)、動作湿度は 95 % 以下、結露しない環境で使用します。
- デバイスを、極端な高温や低温、埃の多い環境、腐食性環境、塩アルカリ性環境、湿気の高い環境にさらさないでください。
- デバイスは、海拔2,000メートル以下の地域でのみ安全に使用することができます。
- デバイスを振動面や衝撃が加わりやすい場所に取り付けることは避けてください(これを無視すると、デバイスが損傷する恐れがあります)。
- レンズを太陽や極端に明るい場所に向けないでください。

### 緊急

デバイスから煙や異臭、異音が発生した場合、すぐに電源を切り、電源ケーブルを抜いて、サービスセンターにご連絡ください。

### レーザー



レーザー装置は、使用している場合、レーザー光線が皮膚や目を照らす可能性があります。レーザー光線は、目や皮膚に照射されると、失明や失明の原因となる可能性があります。レーザー光線は、可燃性物質が取り出される前に、必ず確認してください。

### メーカー住所

310052 中国浙江省杭州市滨江区西興地区段鳳  
通り399号2棟ユニットB 313号室

Hangzhou Microimage Software Co., Ltd.

法令順守通知: 本サーマルシリーズ製品は、アメリカ合衆国、欧州連合、英国などワッセナー・アレンジメントの会員国を含むがそれだけに限定されない各国・各地域で、輸出管理の対象となる可能性があります。サーマルシリーズ製品を外国へ転送・輸出・再輸出する場合は、貴社の法務・コンプライアンス部門もしくは自国の政府機関に、輸出ライセンスの条件についてご確認ください。

## 한국인



이 설명서에 있는 제품 그림은 참고용이며 실제 제품과 다를 수 있습니다.

### 간단한 설명

휴대용 열화상 단안 카메라는 관찰, Wi-Fi

한스파, 열 추적, 이중 스펙트럼 이미지 융합, 레이저 거리 측정 등의 기능이 탑재된 휴대용 장비입니다. 고감도 열화상 감지기가 내장되어 빛이 없는 어둠 속에서도 선명한 시야를 제공합니다.

이 장비는 주로 사냥, 수색 및 구조, 하이킹, 여행과 같은 야외활동에 적용됩니다.

햅스팟을 통해 휴대전화에 연결한 후 HIKMICRO Sight 앱에서 스냅샷을 캡처하고 비디오를 녹화하며 파라미터를 설정할 수 있습니다.  
 App Store(iOS 시스템) 또는 Google Play™(Android 시스템)에서 HIKMICRO Sight 앱을 검색해 다운로드하거나 QR 코드를 스캔해 앱을 다운로드하고 설치하십시오.



Android 시스템



iOS 시스템

이 무선 장비에 적용 가능한 주파수 대역 및 모드와 송신 출력(방사 및/또는 전도)의 명목 한계는 다음과 같습니다.

Wi-Fi 2.4GHz(2.4GHz~2.4835GHz)	20dBm
-----------------------------------	-------

**외관(페이지 2 - A)**

휴대용 열화상 단안 카메라에는 두 가지 유형이 있습니다. 두 가지 유형의 외관 설명은 다음과 같습니다. 실제 제품을 참조하시기 바랍니다.

**버튼 및 구성요소**

번호	설명	기능
1	열화상 렌즈	열화상 이미지를 봅니다.
2	광학 렌즈	광학 이미지를 봅니다.
3	레이저 범위 측정기	레이저로 거리를 측정합니다.
4	전원 키	누르기: 대기 모드/장비 깨우기 길게 누르기: 전원 켜기/끄기
5	캡처 키	누르기: 캡처 길게 누르기: 보정 실행
6	측정 키	누름: 레이저로 거리 측정 길게 누름: 캡처
7	메뉴 키	누르기: 팔레트 길게 누르기: 메뉴 시작/종료
8	휠	디지탈 줌을 조정하고, 메뉴 모드에서 기능을 선택합니다.
9	Type-C 인터페이스	전원 어댑터로 장비를 연결하고, 장비를 PC에 연결해 파일을 내보냅니다.
10	접안렌즈	대상을 보고, 디스플레이

번호	설명	기능
		조정합니다.
11	초점 링	시야를 조정합니다.
12	표시등	장비의 켜기/끄기 모드를 표시합니다.

**노트:**

녹화를 시작하거나 중지하려면 측정 키/캡처 키 및 메뉴 키를 동시에 누릅니다.  
 숨겨진 메뉴를 열려면 전원 키, 측정 키/캡처 키 및 메뉴 키를 동시에 누릅니다.

**배터리 설치(페이지 4 - B)**

**단계**

1. 배터리함 잠금 장치(검정색 프레임으로 표시됨)를 눌러서 인 다음 배터리 커버와 장비에 있는 표시가 일치할 때까지 배터리 커버를 시계 반대 방향으로 돌립니다.
2. 양극 표시가 안쪽으로 향하게 하여 배터리를 배터리함에 삽입합니다.
3. 배터리 커버와 장비의 표시를 맞추고 배터리 위에 배터리 커버를 놓습니다.
4. 배터리 커버를 시계 방향으로 돌려 고정합니다.

**노트:**

장기간 장비를 사용하지 않을 경우 배터리를 분리하십시오.

**사용 설명서**



**법률 정보**

©2022 Hangzhou Microimage Software Co., Ltd.  
**판권 보유.**

**매뉴얼 소개**

본 매뉴얼에는 제품의 사용 및 관리에 필요한 지침이 포함되어 있습니다. 매뉴얼의 그림, 차트, 이미지 및 기타 모든 정보는 정본은 설명용으로만 제공되는 것입니다. 매뉴얼에 포함된 정보는 펌웨어 업데이트 또는 다른 사유로 예고 없이 변경될 수 있습니다. 이 설명서의 최신 버전을 보려면 HIKMICRO 웹사이트([www.hikmicrotech.com/](http://www.hikmicrotech.com/))를 참조하십시오.

본 매뉴얼은 제품 지원 교육을 받은 전문가의 안내 및 지원 하에 사용하십시오.

**상표**

HIKMICRO 및 기타 HIKMICRO의 상표와 로고는 여러 관할 지역에 등록된 HIKMICRO의 재산입니다.  
 기타 상표 및 로고는 각 소유자의 재산입니다.

**면책 조항**

관련 법률에서 허용하는 최대 범위에서 본 매뉴얼 및 설명된 제품은 하드웨어,





- 제공되는 충전기로 다른 유형의 배터리를 충전하지 마십시오. 충전하는 동안 충전기에서 2m 이내에 가연성 물질이 없도록 하십시오.
- 배터리를 장기간 보관하는 경우 배터리의 품질을 보장하기 위해 6개월마다 완충하십시오. 그렇지 않을 경우 손상될 수 있습니다.
- 배터리를 열원 또는 화재 발생원 근처에 두지 마십시오. 직사광선을 피하십시오.
- 화학적 화상을 피하기 위해 배터리를 삼키지 마십시오.
- 배터리는 외부 전원으로 직접 충전할 수 없습니다.
- 장비 자체는 충전할 수 없습니다. 제공되는 충전기를 사용하여 배터리를 충전하십시오.
- 이 장비는 어린이가 있을 수 있는 장소에서 사용하기에 적합하지 않습니다.
- 주의 사항: 배터리를 잘못된 유형으로 교체하면 폭발의 위험이 있습니다.
- 배터리를 잘못된 유형으로 부적절하게 교체하면 안전장치가 작동하지 않을 수 있습니다.(예: 일부 리튬 배터리 유형의 경우).
- 배터리를 불 또는 뜨거운 온도에 넣거나 기계적으로 부수거나 절단하지 마십시오. 폭발의 위험이 있습니다.
- 배터리를 주변 온도가 매우 높은 곳에 두지 마십시오. 폭발하거나 인화성 액체 또는 기체가 누출될 수 있습니다.
- 배터리를 기압이 매우 낮은 곳에 두지 마십시오. 폭발하거나 인화성 액체 또는 기체가 누출될 수 있습니다.
- 사용된 배터리는 지침을 준수해 폐기하십시오.

#### 유지 관리

- 제품이 제대로 작동하지 않을 경우 판매점 또는 가까운 서비스 센터에 문의하십시오. 당사는 무단 수리 또는 유지 관리로 인해 발생한 문제에 대해 일절 책임지지 않습니다.
- 필요한 경우 깨끗한 헝겊에 에탄올을 소량 묻혀 장비를 살살 닦아주십시오.
- 제조사가 지정하지 않은 방식으로 장비를 사용하는 경우 장비에 의해 제공되는 보호 성능이 손상될 수 있습니다.
- 렌즈가 긁히지 않도록 부드럽고 마른 천이나

종이로 렌즈를 닦아주십시오.

#### 사용 환경

- 작동 환경이 장비의 작동 요구 사항을 충족하도록 하십시오. 작동 온도는 -30°C ~ 55°C(-22°F ~ 131°F), 작동 습도는 95% 이하여야 하며 응결이 없어야 합니다.
- 장비가 너무 뜨겁거나 차가운 곳, 먼지가 많거나 부식력이 쉬운 곳, 염분, 알칼리성 환경 또는 습한 환경에 노출하지 마십시오.
- 진동이 발생하는 표면 또는 충격이 있는 장소에 장비를 설치하지 마십시오(부주의로 인해 장비 손상을 초래할 수 있음).
- 렌즈를 태양 또는 기타 밝은 빛에 조준하지 마십시오.

#### 비상 버튼

- 장비에서 연기, 냄새 또는 소음이 발생하면 즉시 전원을 끄고 전원 케이블을 뽑은 다음 서비스 센터에 연락하십시오.

#### 레이저



레이저 장비를 사용할 때는 장비 렌즈를 레이저 빔에 노출하지 마십시오. 그렇지 않으면 화재가 발생할 수 있습니다. 장비에서 방출되는 레이저 방사선은 눈 손상, 피부 화상을 초래하거나 인화성 물질을 생성할 수 있습니다. 보안 조영 기능을 활성화하기 전에 레이저 렌즈 앞에 사람 또는 인화성 물질이 없도록 하십시오. 미성년자가 사용할 수 있는 장소에 장비를 놓지 마십시오.

#### 제조사 주소

중국 저장성 310052 항저우 빈장구 시싱 하위지구 단펑가 399 빌딩 2층 313  
Hangzhou Microimage Software Co., Ltd.  
규정 준수 알리: 열화상 시리즈 제품은 미국, 유럽 연합, 영국 및/또는 기타 바세나르 협정국을 포함하되 이에 국한되지 않고 여러 국가 및 지역의 수출 통제 대상이 될 수 있습니다. 열화상 시리즈 제품을 국가 간 운송, 수출, 재수출하려는 경우 필요할 수출 라이선스 요구 사항에 대해 법률 또는 규정 준수 전문가 또는 해당 국가의 정부 기관에 문의하십시오.

## 繁體中文



產品外觀僅供參考，可能與實際產品有所不同。

#### 簡要說明

手持式單眼熱像攝影機是一款手持裝置，具有觀察、Wi-Fi 熱點、熱追蹤、雙光譜圖像融合、雷射距離測量等功能。高靈敏度內建熱偵測器使您即使在完全黑暗的情況下也能清楚觀看。該裝置主要應用於戶外活動，如狩獵、搜救、遠足和旅行。

本裝置透過熱點連接您的行動電話後，即可使用 HIKMICRO Sight 應用程式拍照、錄影及設定參數。在 App Store (iOS 系統) 或 Google Play™ (Android 系統) 搜尋並下載 HIKMICRO Sight，或掃描二維碼下載並安裝應用程式。



Android 系統



iOS 系統

本無線電裝置適用的頻帶和模式以及傳輸功率(輻射及/或傳導) 額定限值如下:

Wi-Fi 2.4 GHz (2.4 GHz 至 2.4835 GHz)	20 dBm
--------------------------------------	--------

#### 外觀 (第 2 頁 - A)

手持式單眼熱像儀有兩種機型。這兩種類型的外觀描述如下所示。請參考實際產品。

## 按鈕與元件

編號	說明	功能
1	熱像鏡頭	檢視熱影像。
2	光學鏡頭	檢視光學影像。
3	雷射測距儀	使用雷射測距。
4	電源鍵	按下：待機模式/ 喚醒裝置 按住：排程開機/ 關機
5	拍攝鍵	按下：拍攝 按住：觸發校正
6	測量鍵	按下：雷射測距 按住：擷取
7	選單鍵	按下：選擇區 按住：進入/退出 選單
8	旋鈕	調整數位變焦；在 選單模式下選擇 功能。
9	Type-C 介面	透過充電器連接 裝置，將裝置連接 到您的電腦以匯 出檔案。
10	目鏡	檢視目標，並調整 屈光度。
11	對焦環	調整觀景視圖。
12	指示燈	指示裝置的開/關 模式。

### 註記：

同時按下測量鍵/拍攝鍵和選單鍵開始或停止錄影。

同時按下電源鍵、測量鍵/拍攝鍵和選單鍵進入隱藏選單。

### 安裝電池 (第 4 頁 - B)

#### 步驟

1. 按下並推動電池槽鎖 (如黑色框所示)，逆時針旋轉電池蓋，直到電池蓋對齊裝置上的標記為止，然後拆下電池蓋。
2. 將電池插入電池槽，正極標記向內。
3. 對齊電池蓋和裝置上的標記，然後將電池蓋放在電池上。
4. 順時針旋轉電池蓋以便固定。

### 註記：

如果長時間不使用裝置，請將電池取出。

#### 使用手冊



#### 法律資訊

© 2022 杭州微影軟件有限公司保留所有權利。  
關於本手冊

本手冊提供有關使用和管理產品的指示。以下的圖片、圖表、圖像和所有其他資訊僅供描述和說明用途。本手冊所含資訊可能會因軟體升級或其他原因而變動，恕不另行通知。請至 HIKMICRO 網站 ([www.hikmicrotech.com/](http://www.hikmicrotech.com/)) 尋找本手冊最新版本。

請在受過產品支援訓練的專業人員的指引與協助下使用本手冊。

#### 商標

 其他 HIKMICRO 的商標和標誌是 HIKMICRO 在不同司法管轄區的財產。

所提及的其他商標和標誌為各自擁有者的財產。  
**免責聲明**

在適用法律允許的最大範圍內，本手冊及所描述產品，其硬體、軟體和韌體均以「現狀」提供，瑕症錯誤概不負責。HIKMICRO 不作任何明示或暗示的保證，包括但不限於適售性、品質滿意度或適合某特定用途。您必須承擔使用本產品的風險。對於任何特殊、衍生、偶發或間接的損害，包括但不限於營業利潤損失、營業中斷，或者資料遺失、系統毀損或文件遺失，只要是基於違反合約、侵權 (包括過失)、產品責任或產品使用 (即使 HIKMICRO 已知悉) 可能會有此類損害或損失，HIKMICRO 概不負責。

您了解國際網路的性質具有固有的安全風險，對於因網路攻擊、駭客攻擊、病毒感染或其他網路安全風險而造成的異常運作、隱私洩漏或其他損害，HIKMICRO 概不承擔任何責任；但 HIKMICRO 將提供及時的技術支援。

您同意依照所有適用法律使用本產品，而且您有責任確保您的使用符合適用法律。特別是，您有責任在使用本產品時不侵犯第三方權利，包括但不限於版權、知識財產權或資訊保護以及其他隱私權。不得將本產品作為非法狩獵動物、侵犯隱私權或任何其他非法或損害公眾利益等用途。您不得將本產品用於任何禁止的最終用途，包括開發或生產大規模毀滅性武器、開發或生產化學武器或生物武器，以及任何有關核爆炸或不安全核燃料循環的任何活動，或支持侵犯人權。

如果本手冊與適用法律產生任何衝突，以後者為準。

#### 法規資訊

這些條款僅適用於帶有對應標記或資訊的產品。

#### 歐盟聲明



本產品及其配件 (如果有) 均會標示「CE」，表示符合適用 Directive 2014/53/EU (RED)、Directive 2014/30/EU (EMCD)、Directive 2014/35/EU (LVD)、Directive 2011/65/EU (RoHS) 所列歐洲協調標準。



指令 2012/19/EU (WEEE 指令)：已標示此符號的產品在歐盟不得當成未分類的都市廢棄物處理。為了正確回收，請在購買同等的新設備時將本產品退回當地供應商，或將其棄置在指定的回收點。有關詳細資訊請參閱：[www.recyclethis.info](http://www.recyclethis.info)



指令 2006/66/EC 及其修訂 2013/56/EU (電池指令): 本產品內含一顆電池, 在歐盟區不能當成未分類的都市廢棄物處理。有關特定的電池資訊, 請參閱產品說明文件。已標示此符號的電池可能含有代表鎘 (Cd)、鉛 (Pb) 或汞 (Hg) 的字母。為正確回收, 請將電池送回供應商或指定的回收點。詳細資訊請參閱 [www.recyclethis.info](http://www.recyclethis.info)。

## 安全說明

這些指示的目的在確保使用者正確使用本產品, 避免造成危險或財產損失。

## 法律和法規

應遵守當地法律、電氣安全法規和防火法規使用本裝置。

## 運輸

- 在運送裝置時, 請將裝置放入原本的或類似的包裝中。
- 在拆封後保留所有包裝以供將來使用。如果發生任何故障, 則需要利用原本的包裝將裝置送回工廠。
- 未使用原本的包裝運輸可能會導致裝置損壞, 本公司概不承擔任何責任。
- 請勿使產品掉落或遭受撞擊。請讓裝置遠離磁性干擾。

## 電源供應

- 根據 IEC61010-1 標準, 本裝置的輸入電壓應符合有限電源 (5 VDC, 2 A) 的要求。如需詳細資訊, 請參閱技術規格。
- 包裝中隨附電池充電器。隨附電池充電器的輸入電壓應符合有限電源 (5 VDC, 2 A)。
- 確認已將插頭正確連接至電源插座。
- 請勿將多個裝置連接至相同電源變壓器以避免過熱, 或因過載造成火災危險。
- 請使用合格製造商提供的電源變壓器。有關詳細的功率要求, 請參閱產品規格。變壓器的使用環境應與裝置一致。

## 電池

- 不當使用或更換電池可能會導致爆炸危險。僅以相同或同等類型取代。電池類型為含保護板的 18650, 而且電池大小應在 19 公釐 x 70 公釐以內。額定電壓和容量為 3.6 VDC/3.35 Ah (12.06 Wh)。依照電池製造商提供的說明處理用過的電池。
- 請勿使用隨附的充電器為其他類型的電池充電。確認充電時充電器距離 2 公尺內沒有易燃物料。
- 為了長期儲存電池, 請確保電池每半年充滿電, 以確保電池品質。否則, 可能會造成損壞。
- 請勿將電池放在加熱或火源附近。避免陽光直射。
- 不要吞下電池以避免化學灼傷。
- 無法直接使用外部電源替電池充電。
- 無法替裝置充電, 請使用隨附的充電器替電池充電。
- 本裝置不適合在兒童可能出現的場所使用。
- 注意: 若更換的電池類型不正確, 會有爆炸的風險。
- 換錯類型不正確的電池, 可能會使保護措施失效 (例如, 某些類型的鋰電池)。
- 禁止將電池棄置火中或高溫烤箱中, 並禁止使用機械來壓碎或切碎電池, 否則可能導致爆炸。
- 禁止將電池置於極高溫的環境中, 否則可能導

致爆炸或造成易燃液體或氣體洩漏。

- 禁止將電池置於極低空氣壓力下, 否則可能導致爆炸或造成易燃液體或氣體洩漏。
- 請依照指示棄置使用過的電池。

## 維護

- 如果產品無法正常運作, 請聯絡您的經銷商或最近的服務中心。對於因未經授權的維修或保養而造成的問題, 本公司概不承擔任何責任。
- 如有需要, 請使用乾淨的布和少量酒精輕輕擦拭裝置。
- 如果以製造商未指定的方式使用設備, 則可能會影響裝置所提供的保護。
- 使用柔軟乾燥的布或擦拭紙清潔鏡頭, 以避免刮傷。

## 使用環境

- 請確定操作環境符合裝置的需求。工作溫度應為 -30 °C 至 55 °C (-22 °F 至 131 °F), 工作濕度應在 95% 以下, 無冷凝。
- 請勿將裝置暴露在極熱、寒冷、塵土飛揚、腐蝕性、鹽鹼或潮濕的環境中。
- 避免在震動表面或受衝擊的地方安裝設備 (忽視這項提示可能會導致設備損壞)。
- 請勿將鏡頭瞄准陽光或任何其他明亮的光線。

## 緊急

如果裝置產生煙霧、異味或噪音, 請立即關閉電源, 拔除電源線, 並聯絡維修中心。

## 雷射



使用任何雷射設備時, 請確保裝置鏡頭未暴露在雷射光束中, 否則可能會導致眼睛受傷、皮膚燃燒或易燃物質。在啟用補光功能之前, 請確保雷射鏡頭前面沒有人類或易燃物質。請勿將裝置放在未成年人可取得的地方。

## 製造地址

310052 中國浙江省杭州市濱江區西興街區丹鳳路 399 號 2 棟 B 棟 313 室  
杭州微影軟件有限公司  
合規性注意事項: 熱像系列產品可能在不同國家或地區受到出口管制, 包括但不限於美國、歐盟、英國和/或瓦森納協議的其他成員國。如果您打算在不同國家之間轉讓、出口、再出口熱像系列產品, 請洽詢您的專業法律或合規性專家或地方政府機關, 以瞭解任何必要的出口許可要求。



# HIKMICRO

See the World in a New Way



Facebook: HIKMICRO Outdoor Instagram: hikmicro\_outdoor

YouTube: HIKMICRO Outdoor

LinkedIn: HIKMICRO

Website: [www.hikmicrotech.com](http://www.hikmicrotech.com)

E-mail: [support@hikmicrotech.com](mailto:support@hikmicrotech.com)

**UD25382B-C**