



A50T-S

Digital Night Vision Scope

HIKMICRO ALPEX A50T-S Digital Night Vision Scope can perform in all ambient light that is present. It has an advanced 1920 × 1080 HD detector, 1024 × 768 OLED display, and a 50 mm lens, which provides full-color clarity in the daytime and classic black & white viewing at night with an extreme detection range of up to 600 meters. The traditional-style tube design meets the needs of professional hunters who value traditions and seek technological superiority.

Key Features

- 1920 × 1080 High-Definition detector
- 1024 × 768 resolution 0.39-inch OLED display
- 50 mm lens with detection range up to 600 m
- Supports Day/Night mode
- Supports audio and recoil-activation recording, built-in EMMC (64 GB)
- Up to 12 hours of continuous operation
- 30 mm standard mount rings

Specification

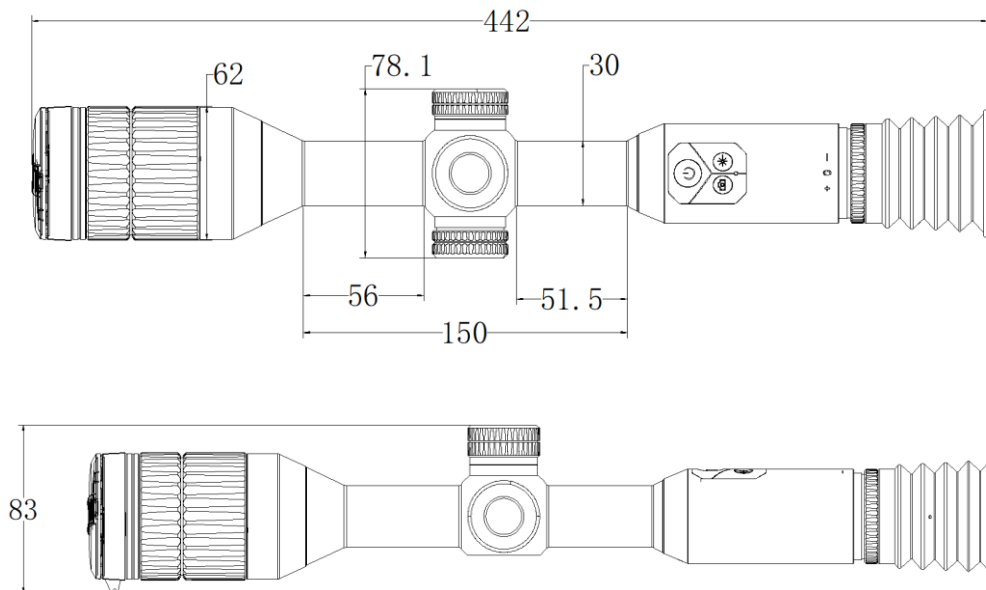
| MAIN | |
|-----------------------------|---|
| MAX. RESOLUTION | 1920 × 1080 |
| FRAME RATE | 50 Hz |
| LENS (FOCAL LENGTH) | 50 mm |
| APERTURE | F1.2 |
| MIN. FOCUSING DISTANCE | 3 m |
| MAGNIFICATION | 3.5× to 14× (4×) |
| FIELD OF VIEW | 7.7° × 5.8°/13.5 m × 10.1m @100 m |
| DETECTION RANGE | Day: 600 m Night: 550 m |
| IMAGE DISPLAY | |
| DISPLAY | 1024 × 768, 0.39 inch, OLED |
| IMAGE MODE | Day, Night |
| EXIT PUPIL | 5 mm |
| EYE RELIEF | 60 mm |
| DIOPTER (RANGE) | -5 D to 5 D |
| SYSTEM | |
| RECORD VIDEO | On-board Video Recording |
| CAPTURE SNAPSHOT | Yes |
| AUDIO RECORDING | Yes |
| RECOIL-ACTIVATION RECORDING | Yes |
| STANDBY MODE | Yes |
| STORAGE | Built-in EMMC (64 GB) |
| PIP | Yes |
| FREEZE ZEROING | Yes |
| HOTSPOT | Yes |
| RETICLE | Yes |
| RECORD VIDEO RESOLUTION | 1440 × 1080 |
| CAPTURE RESOLUTION | 1440 × 1080 |
| MAX. RECOIL | 1000 g/0.4 ms |
| POWER SUPPLY | |
| BATTERY TYPE | Two rechargeable Lithium batteries (internal) and one replaceable CR123A (external) |

| | |
|---------------------------------|--|
| BATTERY OPERATING TIME | 12 hours continuous running (@25°C, Wi-Fi off) |
| BATTERY CAPACITY DISPLAY | Yes |
| ANTI-REVERSE BATTERY CONNECTION | Yes |
| OVERVOLTAGE PROTECTION | Yes |
| POWER SUPPLY | 5 VDC/2 A, USB Type-C interface |
| GENERAL | |
| PROTECTION LEVEL | IP67 |
| WEIGHT | 1062 g without eyepiece and CR123A |
| DIMENSION | 442 mm × 78.1 mm × 83.5 mm |
| WORKING TEMPERATURE | -30°C to 55°C (-22°F to 131°F) |
| MOUNTING | Standard 30 mm |

Available Model

HM-TR3D-50Q/WV-A50T-S

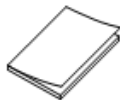
Dimension



Unit: mm

Accessories

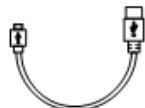
Packing List



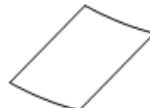
Quick Start Guide
(x1)



Battery CR123A (x2)



Type-C Cable (x1)



Dust-free Cloth (x1)



Bag (x1)



 HIKMICRO Outdoor  hikmicro_outdoor  HIKMICRO Outdoor  HIKMICRO  info@hikmicrotech.com  <http://hikmicrotech.com/en>

Room 313, Unit B, Building 2, 399 Danfeng Road, Xixing Subdistrict, Binjiang District, Hangzhou, Zhejiang
@hangzhou microimage software co.,Ltd .2020 | data subject to change without notice!