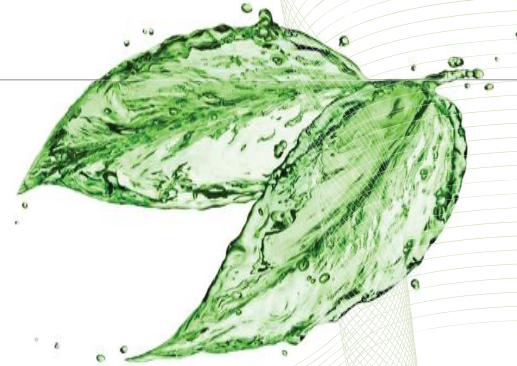


PRM-2000α



Ideal for low concentration samples - High accuracy
 Capable of measurement at temperatures between -35 to 165°C.

Introducing an ideal in-line unit for low concentration samples. Featuring a Brix range of 0 to 20%, with a high accuracy of ±0.050%, our newest in-line unit, the PRM-2000α is ideal for precision measurement of low concentration samples, as well as fruit juices and other beverages. Moreover, the PRM-2000α has an even higher accuracy of ±0.007% for samples with a low Brix range of 0.000 to 2.000%. Capable of measurement at temperatures between -35 to 165°C (during SIP / CIP).

Specifications		In-line Refractometer PRM-2000α
Cat.No.	3641	
Measurement items	Refractive index (nD), Brix (Temperature compensation corresponding to 3 types of samples: sucrose, high-fructose corn syrup, and sugar-free beverages [2% or less]), concentration (Conc) (user scale), and temperature (C).	
Measurement range	Refractive index (nD): 1.32069 to 1.36500, Brix: 0.000 to 20.000%, Temperature: -35.0 to 165.0 °C	
Resolution	⊕ Refractive index (nD): 0.00001 Brix: 0.001% (Factory default setting) ⊕ Refractive index (nD): 0.00001 Brix: 0.005% ⊕ Refractive index (nD): 0.00001 Brix: 0.01% * by selection ⊕ Temperature: 0.1°C	
Measurement accuracy	Refractive index (nD): ±0.00001 Brix: ±0.007% (Refractive index (nD): 1.32069 to 1.33681, Brix: 0.000 to 2.000%) Refractive index (nD): ±0.00010 Brix: ±0.050% (Refractive index (nD): from 1.33682 up, Brix: from 2.001% up) Temperature: ±0.1°C <small>* Accuracy may vary when measuring samples above or below Brix 2% due to temperature compensation and bath accuracy specifications.</small>	
Temperature compensation range	5 to 90°C	
Display system	Seven-segment LED	
Output method	Recorder output (DC4-20mA), RS-232C output, and alarm output when high- and low-limit values are exceeded.	
Power supply	AC100 to 240V, 50/60 Hz	
Cable	Detection section - Calculation display section (power supply 12V and RS-485) Length: standard 15m (maximum up to 200m)	
Materials in contact with the solution	Prism: Sapphire, Prism stage: SUS316L	
Pressure resistance	0.98MPa (detection section)	
Ambient temperature	5 to 40°C	
Power consumption	30VA	
International protection class	IP67 Water resistant	
Dimensions and weight	Detection section: 10.8×33.5×10.8cm, 4.1kg Calculation display section: 19.2×10×24cm, 3.3kg	

High accuracy

Capable of continuous measurement at a high accuracy of ±0.007% for Brix range of 0 to 2%, and at ±0.050% for Brix range of 2 to 20%.



Exceptional cleanliness

A completely flat sample stage allows for improved, exceptional cleanliness.

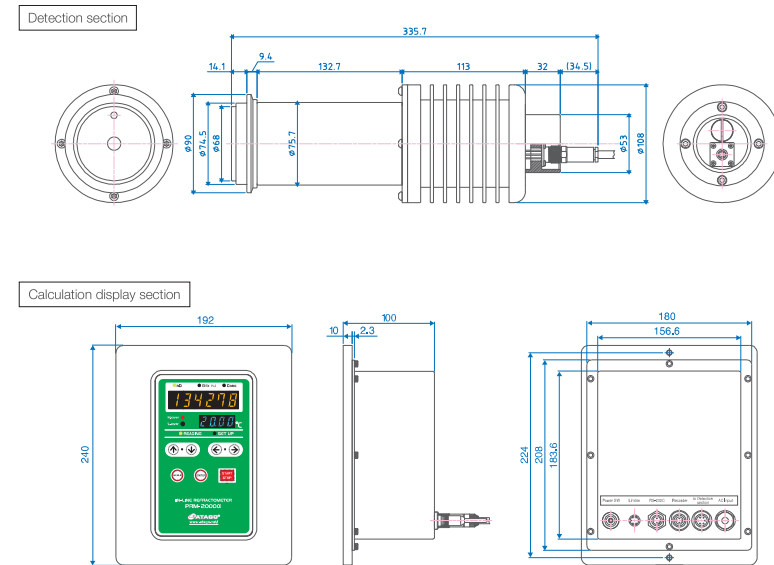


CIP and SIP compatible

Capable of measurement at temperatures between -35 to 165°C (during SIP / CIP).



Dimensions (unit of length: mm)



* For details on the calculation display section, please refer to pg. B15.