

# US- $\alpha$ (optional accessory)



Prevent build-up on the prism surface with the ultrasonic cleaner.

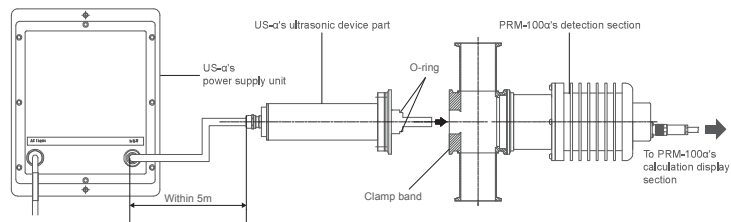
\* The unit prevents sample build-up, it does not remove sample build-up after it has accumulated.

The US- $\alpha$  prevents build-up on the prism surface of the PRM-100 $\alpha$  and PRM-2000 $\alpha$ . As with other fittings, it can be affixed in the piping system.

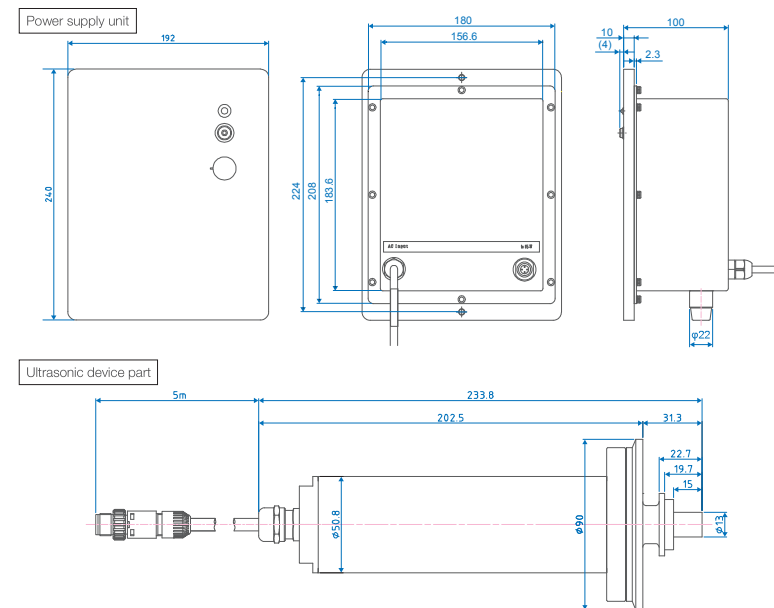
### Specifications

		Ultrasonic Cleaner US- $\alpha$
Cat.No.	For 1S fitting : 9112-1 For 2S fitting : 9112-2 For 3S fitting : 9112-3	
Power supply	AC100 to 240V, 50/60Hz	
Power consumption	5VA	
Cable connector	Between US- $\alpha$ 's ultrasonic device part and power supply unit: (5m)	
Dimensions and weight	Ultrasonic device part: 6.6 $\times$ 7.9 $\times$ 6.6cm, 1.4kg or more Power supply unit: 19.2 $\times$ 10 $\times$ 24cm, 3.5kg	

### Connection example: US- $\alpha$ and PRM-100 $\alpha$



### Dimensions (unit of length: mm)



## Optional Accessories



### AC adapter (CM series only)

AD-32, AD-33, AD-34

Cat.No.3527 AD-32 (AC100V)

Cat.No.3528 AD-33 (AC110-120V)

Cat.No.3529 AD-34 (AC220-240V)

Used to convert AC100 to DC24V and to supply power. Models compatible for AC100-200V and AC220-240V are also available.



### Stand for CM-800α

RE-8607

The picture on the left is an example of the actual in-line Brix monitor (CM-800α) and the AC adapter, AD-32 mounted on the stand.

[Mounted Example]



### Prism wiper

RE-67571 for 2.5S fitting

RE-67572 for 3S fitting

For details, please refer to pg. B9.



### Cable with incl. connector for PAN-1DC

RE-75101

A cable with an included 9 pin D-sub connector for RS-232C output and AC adapter for power supply (DC24V) input. Standard length is 2m. Cable can be extended up to 15m.

## Cables and Consumable Parts

Parts No.	Name	Notes	Applicable Models
RE-5635	Recorder output cable	5m	For CM-800α
RE-5636	Recorder output cable	10m	For CM-800α
RE-5638	Recorder output cable	15m	For CM-800α
RE-5639	Recorder output cable	20m	For CM-800α
RE-5677	RS-232C output cable with 25 pin D-sub connector	15m	For CM-800α
RE-65330	RS-232C output cable with 9 pin D-sub connector	15m	For CM-800α
RE-5647	RS-232C output cable with 25 pin D-sub connector	Length customizable within 15m	For CM-800α
RE-65331	RS-232C output cable with 9 pin D-sub connector	Length customizable within 15m	For CM-800α
RE-65301	RS-232C output cable with 25 pin D-sub connector	Standard length: 10m; can be extended in increments of 1m.	Same as PRMα series
RE-65302	Alarm output cable	Standard length: 10m; can be extended in increments of 1m.	Same as PRMα series
RE-65303	Recorder output cable	Standard length: 10m; can be extended in increments of 1m.	Same as PRMα series
RE-65311	Cable between the detection section and the calculation display section	Standard length: 15m; can be extended in increments of 1m.	Same as PRMα series
RE-69113	Desiccant for detection section	For protecting the interior of the detection section	Same as PRMα series
RE-68002	O-ring	(between samples inlet and detection section)	Same as CMα and PRMα series
RE-65110	Cable for CM-BASE	Standard length: 2m; can be extended in increments of 1m.	CMα, β series and PAN-1DC

## Sample Inlets

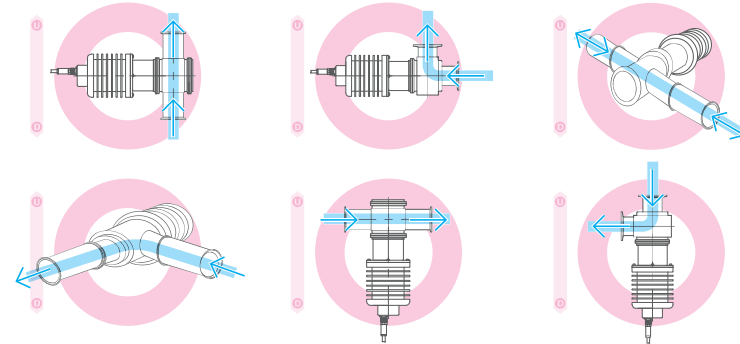
### Fitting Sizes List

IDF/JIS G3447 (ferrule and screw)			JIS G3459 (flange)		
Size	Outer diameter	Inner diameter	Size	Outer diameter	Inner diameter
1.0S	25.4	23.0	20A	27.2	23.0
1.25S	31.8	29.4	25A	34.0	28.4
1.5S	38.1	35.7	32A	42.7	37.1
2.0S	50.8	47.8	40A	48.6	43.0
2.5S	63.5	59.5	50A	60.5	54.9
3.0S	76.3	72.3	65A	76.3	70.3
3.5S	89.1	85.1	80A	89.1	83.1
4.0S	101.6	97.6	90A	101.6	95.6
4.5S	114.3	108.3	100A	114.3	108.3

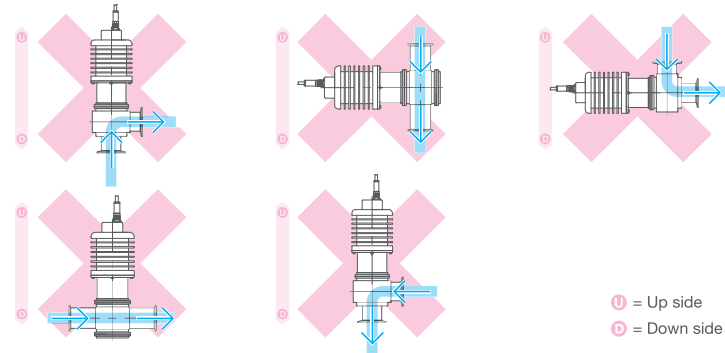
(Unit of length: mm)

### Attachment Methods

#### • Correct



#### • Incorrect



U = Up side  
D = Down side

# Sample Inlet List

**VARIVENT**  
compatible

Fittings that meet VARIVENT standards are also available. For details, please contact ATAGO.

RE No.	Name	Simplified Dimensions	Connection Example (PRM-100α)	US-α
RE-67501	Hose connector φ12mm			
RE-67503	DBJ φ10mm			
RE-67511	Straight type ferrule 1S with blanking plate			○
RE-67514	Straight type ferrule 1S without blanking plate			
RE-67513	Straight type screw 1S with blanking plate			○
RE-67516	Straight type screw 1S without blanking plate			
RE-67611	L type ferrule 1S			
RE-67613	L type screw 1S			
RE-67512	Straight type ferrule 1.5S with blanking plate			○

\* Fittings are generally sold with an in-line refractometer as a set. If you wish to purchase fittings only, please consult ATAGO.

RE No.	Name	Simplified Dimensions	Connection Example (PRM-100α)	US-α
RE-67518	Straight type ferrule 1.5S without blanking plate			
RE-67521	Straight type ferrule 2S with blanking plate			○
RE-67524	Straight type ferrule 2S without blanking plate			
RE-67523	Straight type screw 2S with blanking plate			○
RE-67527	Straight type screw 2S without blanking plate			
RE-67621	L type ferrule 2S			
RE-67623	L type screw 2S			
RE-67522	Straight type ferrule 2.5S with blanking plate			○
RE-67528	Straight type ferrule 2.5S without blanking plate			
RE-67531	Straight type ferrule 3S with blanking plate			○

\* Fittings are generally sold with an in-line refractometer as a set. If you wish to purchase fittings only, please consult ATAGO.

RE No.	Name	Simplified Dimensions	Connection Example (PRM-100a)	US-a
RE-67532	Straight type ferrule 3S without blanking plate			
RE-67533	Straight type screw 3S with blanking plate			○
RE-67534	Straight type screw 3S without blanking plate			
RE-67631	L type ferrule 3S			
RE-67633	L type screw 3S			
RE-67570	Straight type flange 25A with blanking plate			○
RE-67573	Straight type flange 25A without blanking plate			
RE-67671	L type flange 25A			
RE-67574	Straight type flange 40A with blanking plate			○
RE-67575	Straight type flange 40A without blanking plate			

\* Fittings are generally sold with an in-line refractometer as a set. If you wish to purchase fittings only, please consult ATAGO.

RE No.	Name	Simplified Dimensions	Connection Example (PRM-100a)	US-a
RE-67673	L type flange 40A			
RE-67576	Straight type flange 50A with blanking plate			○
RE-67577	Straight type flange 50A without blanking plate			
RE-67526	Straight type flange 65A with blanking plate			○
RE-67579	Straight type flange 65A without blanking plate			
RE-67675	L type flange 65A			
RE-67583	Straight type flange 80A with blanking plate			○
RE-67584	Straight type flange 80A without blanking plate			
RE-67578	Straight type flange 100A with blanking plate			○
RE-67585	Straight type flange 100A without blanking plate			

\* Fittings are generally sold with an in-line refractometer as a set. If you wish to purchase fittings only, please consult ATAGO.